

LISA[®] 22 ELECTRIC

FOR DOMOTIC CONTROL SILVER LOOK

 EUROPEAN WARRANTY

NEW



MATERIAL:

- 30x40 mm semi oval vertical collectors in painted mild steel.
- ø 22 mm horizontal heating elements in painted mild steel.
- Heat transfer fluid.

FIXING KIT:

Brackets, hex key, airvent, dowels and screws suitable for use on solid walls or perforated bricks, assembly instructions.

PACKING:

Cardboard angular and profiles protected by a recyclable film in polyethylene.

User notice included.

PAINTING PROCESS:

Painted with ecological epoxy powders.
Certificate DIN 55900-1,-2.

COLOR:

F53 SILVER LOOK.

ELECTRICAL RESISTORS:

Electric heater with chrome-plated cap and 1200 mm grey cable, and to be used in combination with an external home automation system.



FOR DOMOTIC CONTROL

- Electric heater without thermostat for external home automation control

CERTIFICATIONS

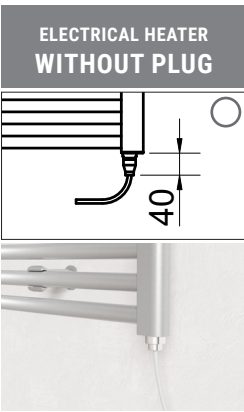
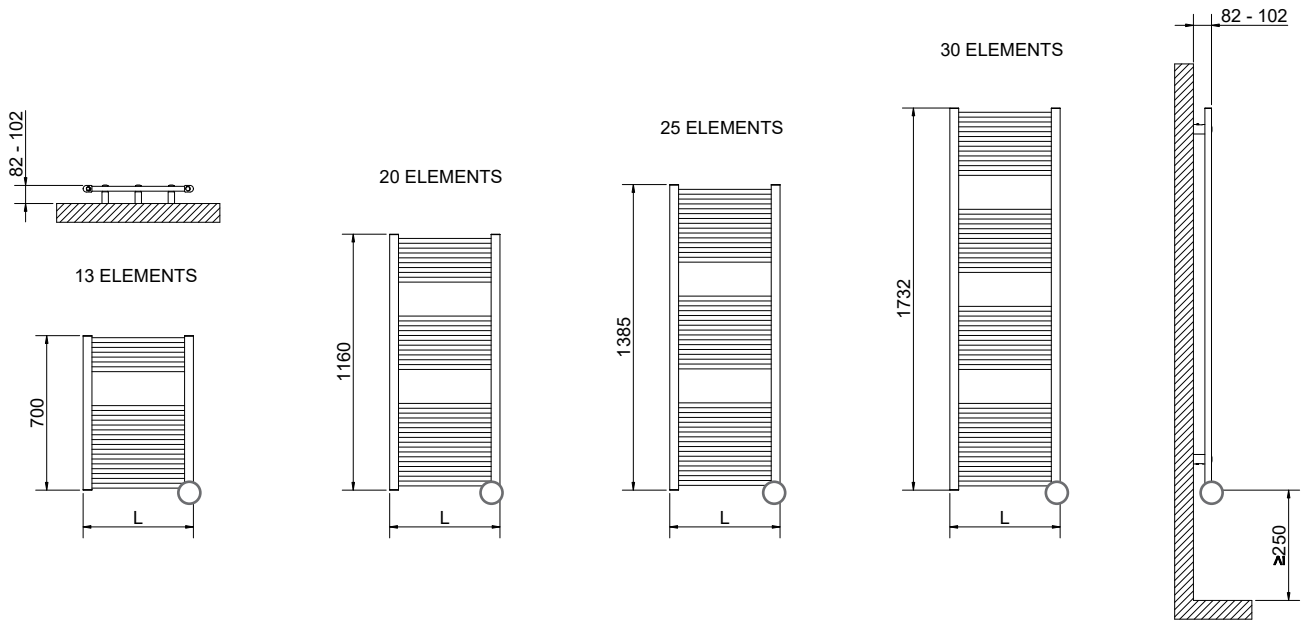


FEATURES

Electrical resistors: **CLASS 1**

Minimum ingress protection: **IP 54**

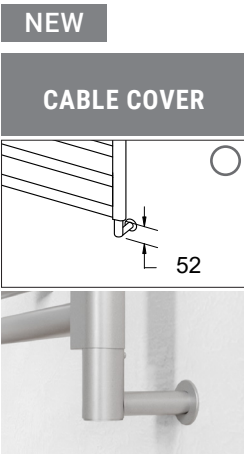
Power supply: **230 Vac**



LISA® 22 SILVER LOOK ELECTRIC FOR DOMOTIC CONTROL

Height	Width	Art. nr.	Output	Weight
[mm]	L [mm]	Silver Look F53	[Watt]	[Kg]
700	400	3581646100110	300	7,0
	500	3581646100111	400	8,0
1160	400	3581646100112	400	11,0
	450	3581646100113	500	11,6
1385	500	3581646100114	600	12,2
	400	3581646100115	500	13,2
1732	500	3581646100116	700	15,2
	500	3581646100117	900	18,2

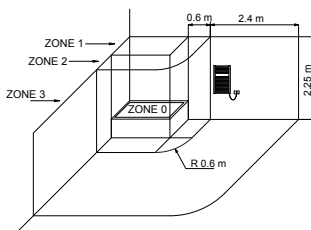
The radiator can only be used with a home automation management system or external thermostat equipped with weekly programming, open window sensor etc. compliant with EU Regulation 2024/1103.



KIT CABLE COVER - SILVER LOOK

Height	Art. nr.
[mm]	Silver Look F53
52	5102000310003

Cordivari ErP electric radiators are characterised by high efficiency. These models comply with EU Regulation 2024/1103. The seasonal energy efficiency of these fixed electric space heating appliances, with nominal Thermal output >250 W, is over 46% in all models. Each of the ErP electric radiators is equipped with at least electronic temperature control, window opening detection, weekly programming and stand-by power consumption <0.5 W (or 2.0 W in Wi-Fi mode, where applicable).



HOW TO PLACE ELECTRIC RADIATORS

The national rules on installing electrical equipment in the bathroom must be scrupulously respected. The electric radiators must be always installed outside zone 1 and 2.

In particular the electric switch and control elements must be mandatorily located in zone 3, in order that no electrical control center is accessible to anyone using the shower or bath.

