

LISA[®] 22

CHROMED ELECTRIC For domotic control

CE EUROPEAN
WARRANTY

NEW



FOR DOMOTIC CONTROL

- Electric heater without thermostat for external home automation control

The radiator can only be used with a home automation management system or external thermostat equipped with weekly programming, open window sensor etc. compliant with EU Regulation 2015/1188.

Material:

- Curved horizontal heating elements in painted mild steel 30x40 mm.
- Horizontal heating elements in painted mild steel \varnothing 22 mm.
- Heat transfer fluid.

Fixing kit:

The fixing kit is in compliance with norm VDI 6036, that guarantees maximum resistance, security and stability of the towel rail. Each kit includes brackets, hexagonal tool, plugs and screws suitable for use on either compact or hollow brick walls. For a correct assembly always refer to the user manual supplied.



ACCESSORIES

For Accessories range see Accessories chapter



KIT 2 HOOKS
CHROMED

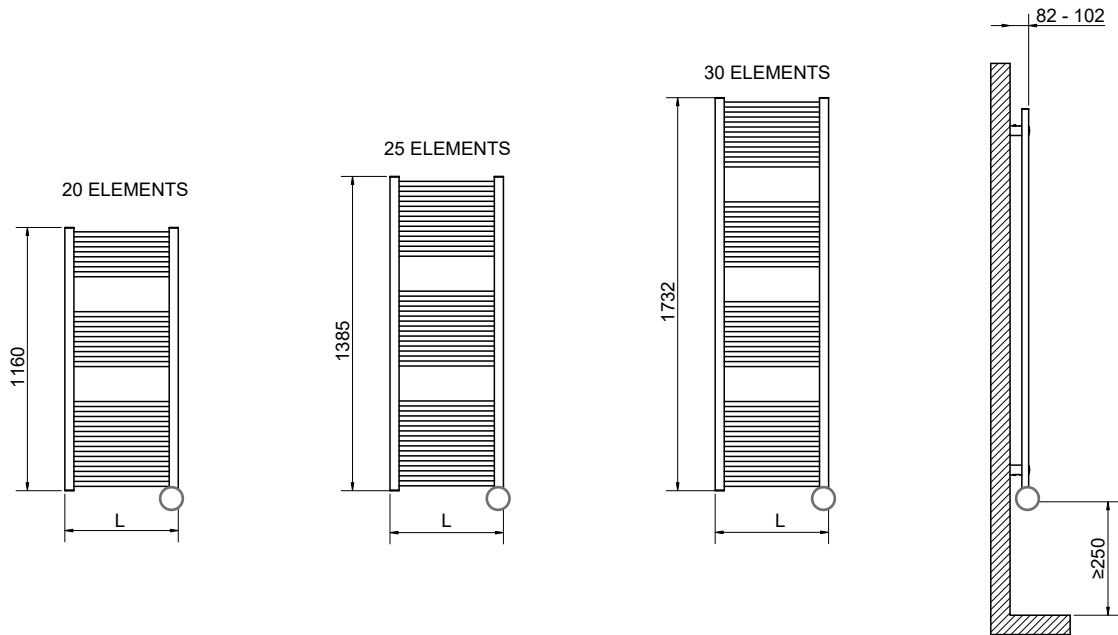
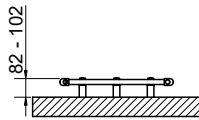
Art. nr. 5991990310303



TOWEL BAR
CHROMED
Width= 370 mm

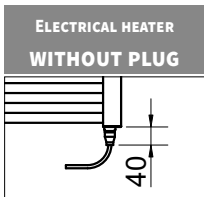
Art. nr. 5991990310302

Applicable only for width \geq 450 mm



NEW

LISA® 22 CHROMED ELECTRIC - FOR DOMOTIC CONTROL



Electric heater with chrome-plated cap and 1200 mm grey cable, for external home automation control.

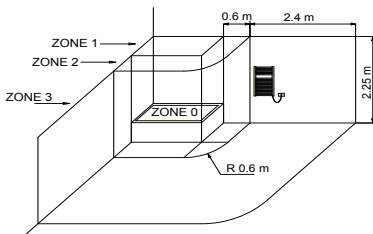
Height [mm]	Width L [mm]	Art. nr.	Output [Watt]	Weight [Kg]
1160	400	3581646110140	300	11.0
	450	3581646110141	300	11.6
	500	3581646110142	400	12.2
1400	400	3581646110143	400	13.2
	500	3581646110144	500	15.2
	550	3581646110145	500	15.8
1732	500	3581646110146	600	18.2

The radiator can only be used with a home automation management system or external thermostat equipped with weekly programming, open window sensor etc. compliant with EU Regulation 2015/1188.



All Cordivari electric radiators are in line with the new European regulation UE 2015/1188. The new regulation imposes a seasonal energy efficiency of electrical appliances for ambient heating with a nominal thermal output over 250 W and not less than 38%. Each of the ErP electric radiator is equipped with at least electronic temperature control, window opening detection and weekly programmer.

HOW TO PLACE ELECTRIC RADIATORS



The national rules on installing electrical equipment in the bathroom must be scrupulously respected. The electric radiators must be always installed outside zone 1 and 2.

In particular the electric switch and control elements must be mandatorily located in zone 3, in order that no electrical control center is accessible to a anyone using the shower or bath.