

VOLANO BS REVERSO

FLOOR STANDING BUFFER TANK FOR HEAT PUMP AND OUTDOOR INSTALLATION



TECHNICAL DESCRIPTION

VOLANO BS REVERSO is used in cooling systems to store cold water and also in heating systems to store hot water at high flow rate.

MATERIAL

Mild steel

APPLICATION

Buffer either for hot or cold water

ANTI-CORROSION TREATMENT

The anti-corrosion treatment is not necessary being installed in closed systems.

INSULATION

High thermal insulation with ecological polyurethane hard foam.

EXTERNAL LINING

Galvanized and painted metallic cover suitable for outdoor installation.

CONNECTION FOR ELECTRIC IMMERSION HEATERS

1"1/2 connection for electric immersion heater.

WARRANTY

2 years-See general sales conditions and warranty on Calorifiers and Thermal Storage Export Catalogue Pricelist 11.



**SUITABLE FOR
OUTDOOR
INSTALLATION**



**PROMPT
AVAILABILITY**

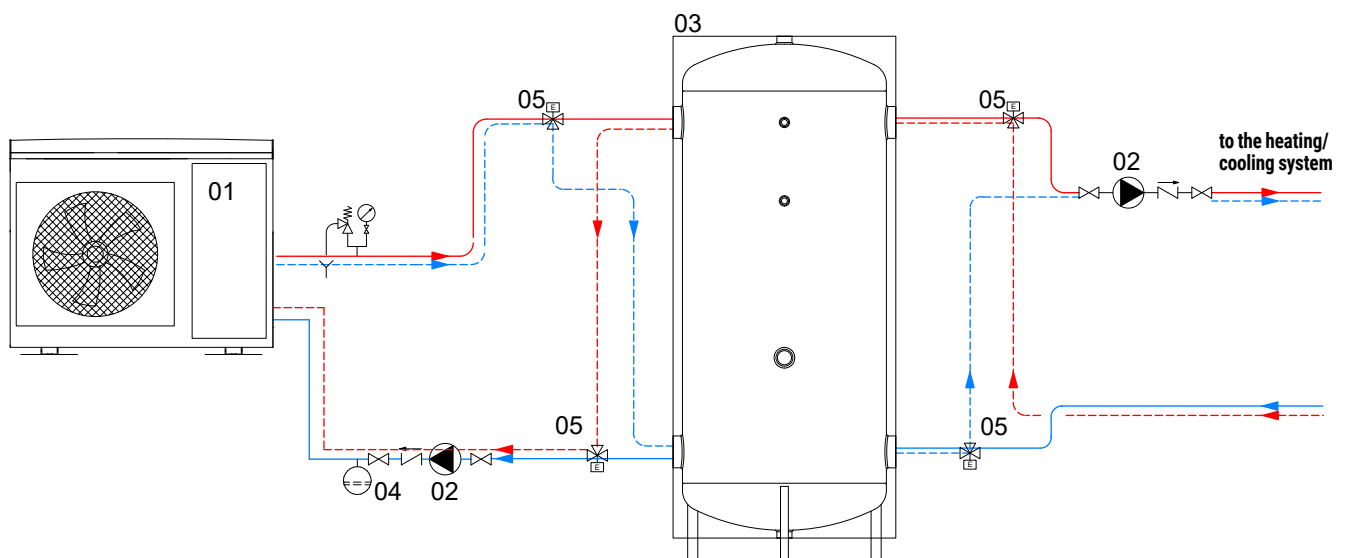
NEW

VOLANO BS REVERSO GBL

ENERGY
EFFICIENCY
CLASS

Model	HARD FOAM INSULATION	ErP IF
	Art. Nr.	
100	3001162310551	C
200	3001162310552	C
300	3001162310553	C
500	3001162310564	C
800	3001162310565	C
1000	3001162310566	C
1500	3001162310567	C
2000	3001162310568	C

EXAMPLE OF INSTALLATION WITH VOLANO BS REVERSO



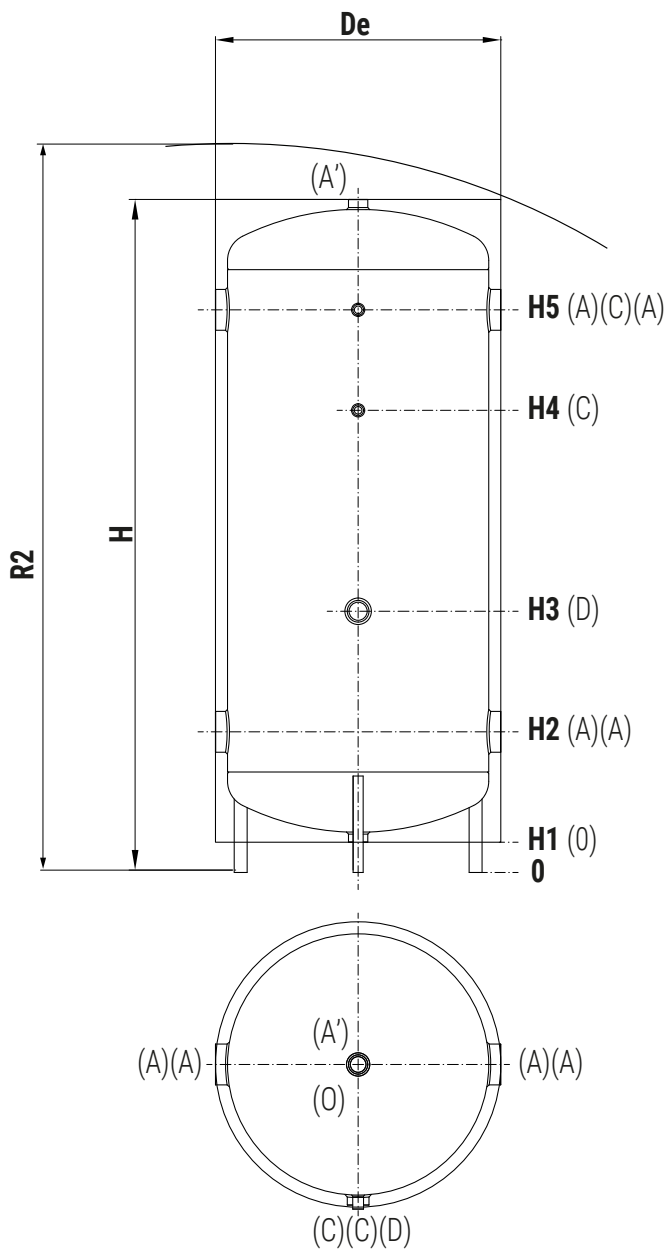
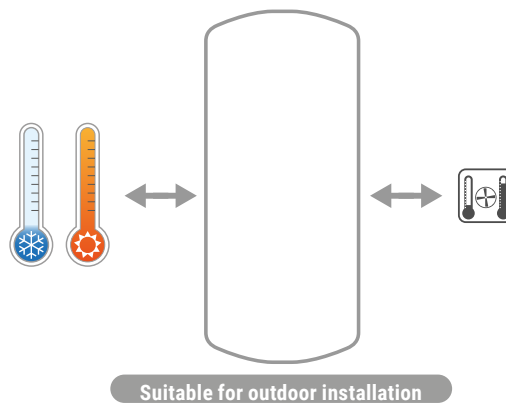
01 Heat pump	03 VOLANO BS REVERSO	05 Motorized 3-way valve
02 Circulation group	04 Expansion vessel	

The following schemes are purely illustrative. To realize the installation, always refer to a qualified technician.

VOLANO BS REVERSO

FLOOR STANDING BUFFER TANK FOR HEAT PUMP AND OUTDOOR INSTALLATION

PRESSURE	TEMPERATURE
Pmax	Tmin/Tmax
4 bar	-10 / +90 °C



- A** To the System
- A'** To the System
- C** Connection for instrumentation G 1/2" F
- D** Connection for electric immersion heater G 1" 1/2 F
- O** Drain

Model	Volume [lt]	De	H	R2	[mm]					Connections F	
					H1	H2	H3	H4	H5	A'	A
100	95	460	948	1060	79	258	398	563	763	1"1/4	1"1/2
200	180	510	1336	1440	76	263	503	893	1143	1"1/4	1"1/2
300	279	610	1395	1530	81	315	535	905	1155	1"1/4	2"
500	478	750	1675	1840	81	350	650	1150	1400	1"1/4	3"
800	758	900	1996	2200	87	376	776	1376	1676	1"1/4	3"
1000	987	1000	2035	2280	81	395	795	1395	1695	1"1/2	3"
1500	1435	1100	2366	2620	102	377	807	1587	1887	2"	3"
2000	1973	1300	2436	2770	102	412	842	1622	1922	2"	3"

Products designed and manufactured for using within temperature and pressure limits in accordance to Art. 4.3 Directive 2014/68/EU (P.E.D.)