

VENTANA[®] REGULAR

CE EUROPEAN
WARRANTY

Wall-mounted heating & cooling fan coil unit



Specifications:

Ventana[®] REGULAR is the high performance and high efficiency fan coil unit designed for operation with heat pump systems.

The unit can operate in heating and cooling mode. Brushless DC inverter motors. Maximum flexibility of configuration, connectivity, and control.

Fixing kit:

The Fan coil is protected with a recyclable cardboard box. Instructions for use and maintenance provided with the product. Always refer to the included installation notice.

Packaging:

The fan coil unit is protected by recyclable carton box.

Painting process:

Painted with ecological epoxy powders (Certificate DIN 55900-1,-2).

Cleaning:

Filters are easily removable, washable or replaceable.

Electrical specifications:

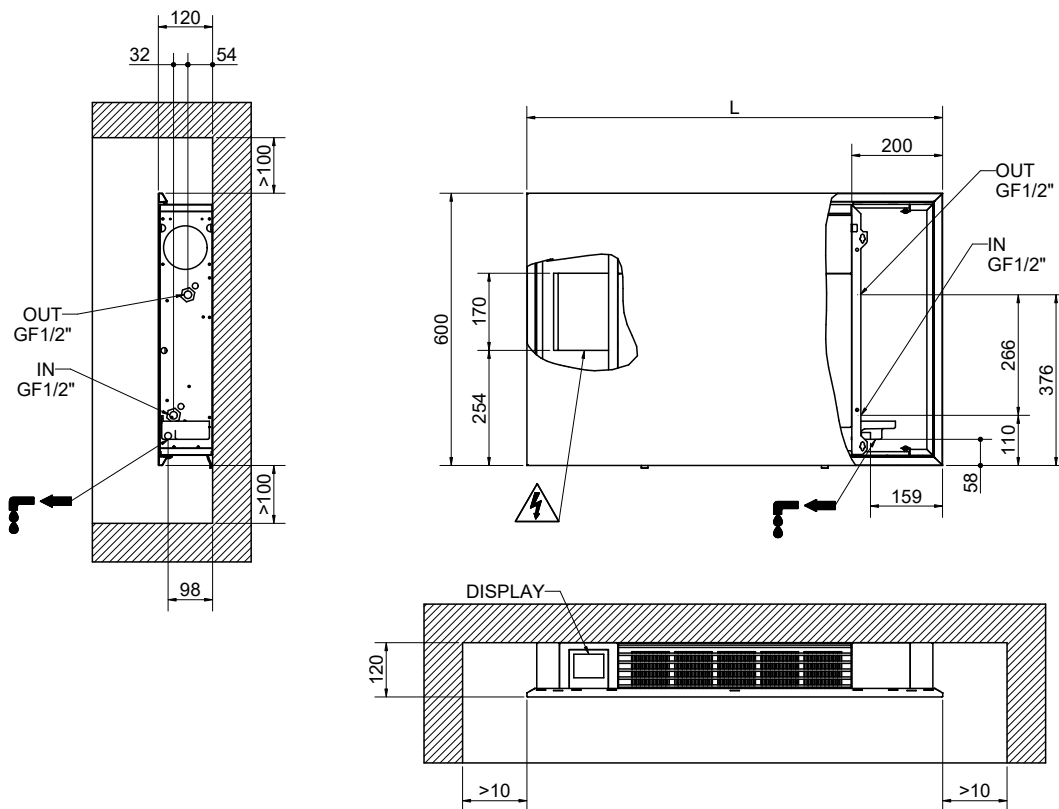
Class 1.

Colors:

Standard color White RAL 9016-R02.

VENTANA® REGULAR

Wall-mounted heating & cooling fan coil unit



REVERSIBLE

Reversible connections as standard

VENTANA® REGULAR

Version		MODEL			
		2000	4000	6000	8000
STANDARD					
without control unit	Art. nr. WHITE RAL 9016-R02	3584776100023	3584776100024	3584776100025	3584776100026
CS					
stand-alone control on board	Art. nr. WHITE RAL 9016-R02	3584776100045	3584776100046	3584776100047	3584776100048
CW					
with Wi-Fi control unit	Art. nr. WHITE RAL 9016-R02	3584776100034	3584776100035	3584776100036	3584776100037

Article numbers in the table refer to models in color WHITE RAL 9016-R02.
For all the available CONTROL options for STANDARD versions see accessories.

Dimensional data

MODEL	Width	Height	Depth
	L [mm]	H [mm]	P [mm]
2000	725	600	120
4000	915	600	120
6000	1110	600	120
8000	1300	600	120

VENTANA® REGULAR

TECHNICAL SHEET

MODEL	VENTANA® REGULAR				
	2000	4000	6000	8000	
Total output in heating mode SUPERMAX (1)	[W]	1310	2260	3070	3900
Water flow rate (1)	[l/h]	219	407	497	673
Water pressure drop (1)	[kPa]	17,5	8,1	14,9	14,8
Total output in cooling mode SUPERMAX (2)	[W]	1190	2120	2900	3730
Sensible output in cooling mode SUPERMAX (2)	[W]	870	1560	2160	2970
Water flow rate (2)	[l/h]	204	364	498	639
Water pressure drop (2)	[kPa]	15,1	10,2	20,9	19,9
Total output in heating mode MAXIMUM (3)	[W]	930	2000	2650	3500
Water flow rate (3)	[l/h]	162	348	462	611
Water pressure drop (3)	[kPa]	15,8	6,8	14	13,6
Total output in cooling mode MAXIMUM (4)	[W]	880	1810	2700	3380
Sensible output in cooling mode MAXIMUM (4)	[W]	690	1350	2000	2700
Water flow rate (4)	[l/h]	151	311	463	580
Water pressure drop (4)	[kPa]	13,1	8,2	19	18,7

SUPERMAX SPEED SPECIFICATIONS

Sound pressure	[dB(A)]	55	56	57	58
Maximum electrical power consumption	[W]	20	22	24	27
Maximum air flow	[m3/h]	250	390	510	620

MAXIMUM SPEED SPECIFICATIONS

Sound pressure	[dB(A)]	51	52	52	53
Maximum electrical power consumption	[W]	12	13	14	17
Maximum air flow	[m3/h]	180	315	450	540

ELECTRICAL SPECIFICATIONS

Tension	230 [V] AC 50 [Hz]				
Electrical Class	Class I				
Connectivity	Wi-Fi (optional)				
Other	3 Way Bypass valve setting (optional)				

HYDRAULIC SPECIFICATIONS

Ambient operating temperature	From 5 [°C] to 35 [°C] – 60% RH				
Water inlet temperature	From 5 [°C] to 75 [°C]				
Working pressure	From 1 [bar] to 6 [bar]				
Hydraulic connections	G1/2" female				

(1) According to EN 1397: Water IN 45 / OUT 40 [°C], Air 20 [°C], Wet-bulb 15 [°C], Supermax speed

(2) According to EN 1397: Water IN 7 / OUT 12 [°C], Air 27 [°C], Wet-bulb 19 [°C], Supermax speed

(3) According to EN 1397: Water IN 45 / OUT 40 [°C], Air 20 [°C], Wet-bulb 15 [°C], Maximum speed

(4) According to EN 1397: Water IN 7 / OUT 12 [°C], Air 27 [°C], Wet-bulb 19 [°C], Maximum speed

PLEASE NOTE: Supermax speed is not set by default but it can be activated by managing the electronic board deepswitch