

# SEVEN LINES

Heating & Cooling fan coil unit

CE EUROPEAN WARRANTY

design by **Monica Alegiani & Vanessa Massacci**



## Specifications:

Seven Lines is the high-performance, high-efficiency design fan coil unit designed for operation with heat pump systems. The unit can operate in heating and cooling mode. Touch control display. Integrated Wi-Fi module. Brushless DC inverter motors. Perimeter ventilation for maximum comfort. Recycled aluminium casing. ABS top and control unit.

## Connectivity:

Connectivity via integrated Wi-Fi module and management through the Smart Life app. Ready for BMS integration via Modbus RTU – KNX protocol.

## Fixing kit:

The kit includes plugs and screws for fixing, suitable for use on compact walls or hollow bricks.

## Packaging:

The Fan coil is protected with a recyclable cardboard box. Instructions for use and maintenance provided with the product. Always refer to the included installation notice.

## Painting process:

Painted with ecological epoxy powders (Certificate DIN 55900-1,-2).

## Cleaning:

Filters are easily removable, washable or replaceable.

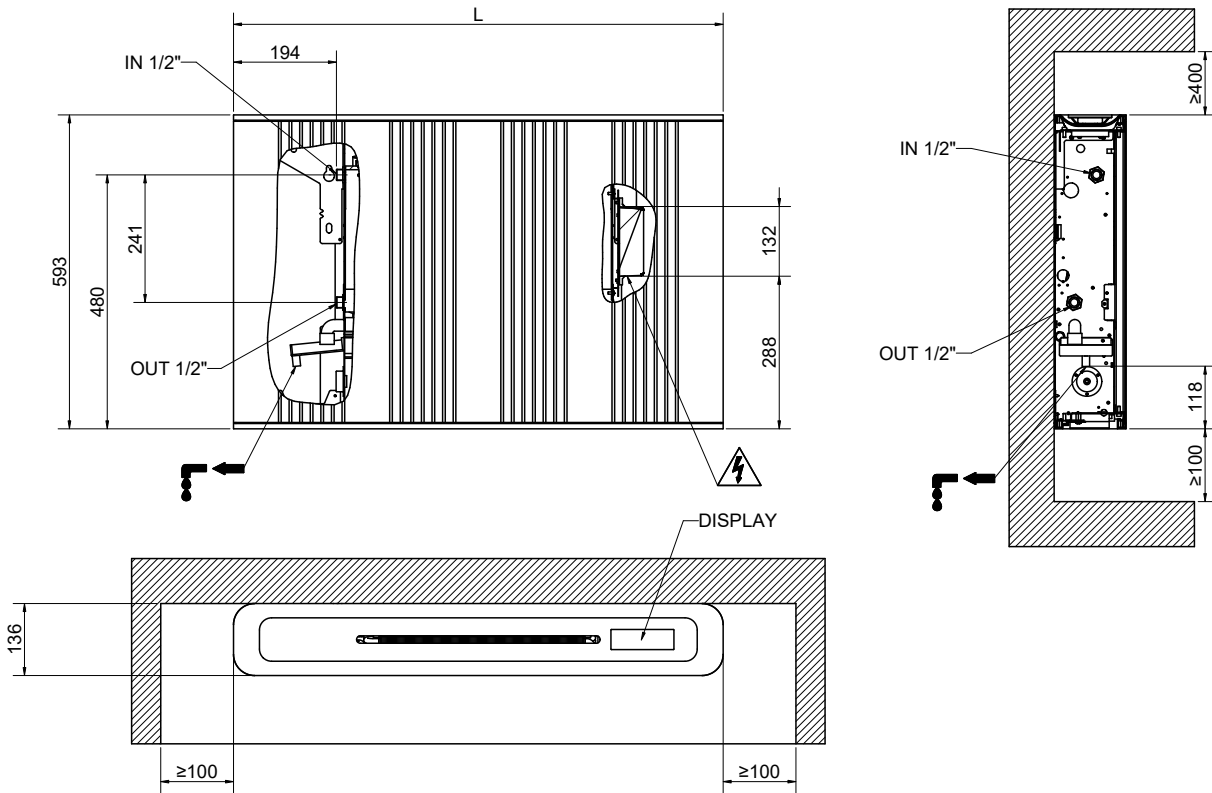
**Electrical specifications:** Class 1.

## Colors:

Standard color White RAL 9016-R02. For other colors see color chart.

# SEVEN LINES

Heating & Cooling fan coil unit



## SEVEN LINES

MODEL	Art. nr. White RAL 9016-R02
<b>2000</b>	3584776100013
<b>4000</b>	3584776100014
<b>6000</b>	3584776100015

Article numbers in the table refer to models in color WHITE RAL 9016-R02.

### Dimensional data

MODEL	Width	Height	Depth	Weight
	L [mm]	H [mm]	P [mm]	[Kg]
<b>2000</b>	715	593	136	17
<b>4000</b>	925	593	136	21
<b>6000</b>	1135	593	136	25

# SEVEN LINES

## TECHNICAL SHEET

MODEL		SEVEN LINES		
		2000	4000	6000
Total output in heating mode (1)	[W]	720	1196	1738
Water flow rate (1)	[l/h]	122	205	297
Water pressure drop (1)	[kPa]	1,1	3,3	7,5
Total output in cooling mode (2)	[W]	544	979	1539
Sensible output in cooling mode (2)	[W]	426	774	1196
Water flow rate (2)	[l/h]	95	170	265
Water pressure drop (2)	[kPa]	0,9	2,8	7,3

### MINIMUM SPEED SPECIFICATIONS

Sound pressure (3)	[dB(A)]	41	41	42
Maximum electrical power consumption	[W]	6	7	8

### MEDIUM SPEED SPECIFICATIONS

Sound pressure (3)	[dB(A)]	46	46	47
Maximum electrical power consumption	[W]	8	9	12

### MAXIMUM SPEED SPECIFICATIONS

Sound pressure (3)	[dB(A)]	50	50	51
Maximum electrical power consumption	[W]	10	12	16
Maximum air flow	[m <sup>3</sup> /h]	130	250	370

### ELECTRICAL SPECIFICATIONS

Tension	230 [V] AC 50 [Hz]
Electrical Class	Class I
Cable	Schuko L > 1000 [mm]
Connectivity	Wi-Fi
Other	3 Way Bypass valve setting (optional)

### HYDRAULIC SPECIFICATIONS

Ambient operating temperature	From 5 [°C] to 32 [°C] – 60% RH
Water inlet temperature	From 6 [°C] to 75 [°C]
Working pressure	From 1 [bar] to 10 [bar]
Hydraulic connections	G1/2" male

(1) Measured according to EN 1397: Water IN 45 / OUT 40 [°C], Air 20 [°C], Wet-bulb 15 [°C], Maximum speed

(2) Measured according to EN 1397: Water IN 7 / OUT 12 [°C], Air 27 [°C], Wet-bulb 19 [°C], Maximum speed

(3) Measured according to EN 16583 + EN ISO 3741