

SEVEN LINES

Heating & Cooling fan coil unit

CE EUROPEAN
WARRANTY

design by **Monica Alegiani & Vanessa Massacci**



Specifications:

Seven Lines is the high-performance, high-efficiency design fan coil unit designed for operation with heat pump systems.

The unit can operate in heating and cooling mode. Touch control display. Integrated Wi-Fi module. Brushless DC inverter motors. Perimeter ventilation for maximum comfort. Recycled aluminium casing. ABS top and control unit.

Fixing kit:

The Fan coil is protected with a recyclable cardboard box. Instructions for use and maintenance provided with the product. Always refer to the included installation notice.

Packaging:

The fan coil unit is protected by recyclable carton box.

Painting process:

Painted with ecological epoxy powders (Certificate DIN 55900-1,-2).

Cleaning:

Filters are easily removable, washable or replaceable.

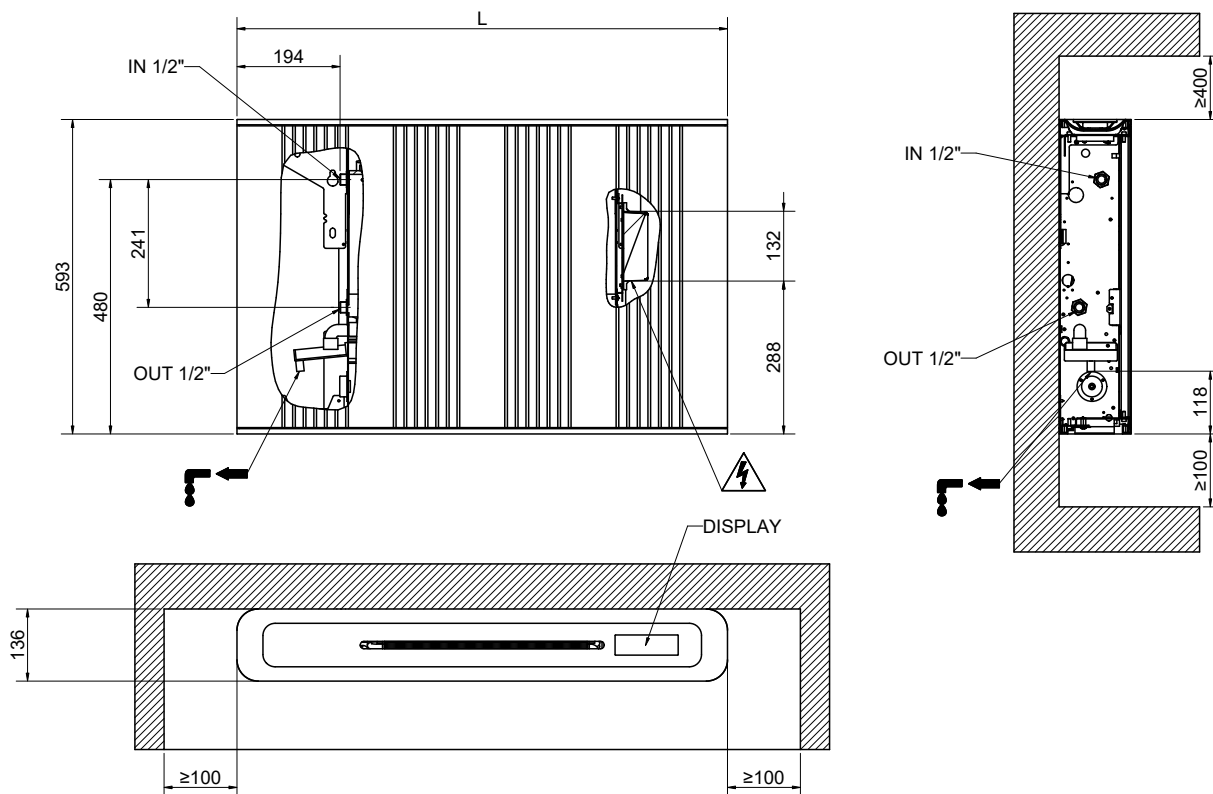
Electrical specifications: Class 1.

Colors:

Standard color White RAL 9016-R02.

SEVEN LINES

Heating & Cooling fan coil unit



SEVEN LINES

| MODEL | Art. nr. WHITE RAL 9016-R02 |
|-------------|-----------------------------------|
| 2000 | 3584776100013 |
| 4000 | 3584776100014 |
| 6000 | 3584776100015 |

Article numbers in the table refer to models in color WHITE RAL 9016-R02.

Dimensional data

| MODEL | Width | Height | Depth | Weight |
|-------------|--------|--------|--------|--------|
| | L [mm] | H [mm] | P [mm] | [Kg] |
| 2000 | 715 | 593 | 136 | 17 |
| 4000 | 925 | 593 | 136 | 21 |
| 6000 | 1135 | 593 | 136 | 25 |

RUN / SEVEN LINES

TECHNICAL SHEET

| MODEL | | RUN / SEVEN LINES | | |
|-------------------------------------|-------|-------------------|------|------|
| | | 2000 | 4000 | 6000 |
| Total output in heating mode (1) | [W] | 720 | 1196 | 1738 |
| Water flow rate (1) | [l/h] | 122 | 205 | 297 |
| Water pressure drop (1) | [kPa] | 1,1 | 3,3 | 7,5 |
| Total output in cooling mode (2) | [W] | 544 | 979 | 1539 |
| Sensible output in cooling mode (2) | [W] | 426 | 774 | 1196 |
| Water flow rate (2) | [l/h] | 95 | 170 | 265 |
| Water pressure drop (2) | [kPa] | 0,9 | 2,8 | 7,3 |

MINIMUM SPEED SPECIFICATIONS

| | | | | |
|--------------------------------------|---------|----|----|----|
| Sound pressure (3) | [dB(A)] | 41 | 41 | 42 |
| Maximum electrical power consumption | [W] | 6 | 7 | 8 |

MEDIUM SPEED SPECIFICATIONS

| | | | | |
|--------------------------------------|---------|----|----|----|
| Sound pressure (3) | [dB(A)] | 46 | 46 | 47 |
| Maximum electrical power consumption | [W] | 8 | 9 | 12 |

MAXIMUM SPEED SPECIFICATIONS

| | | | | |
|--------------------------------------|---------------------|-----|-----|-----|
| Sound pressure (3) | [dB(A)] | 50 | 50 | 51 |
| Maximum electrical power consumption | [W] | 10 | 12 | 16 |
| Maximum air flow | [m ³ /h] | 130 | 250 | 370 |

ELECTRICAL SPECIFICATIONS

| | |
|------------------|---------------------------------------|
| Tension | 230 [V] AC 50 [Hz] |
| Electrical Class | Class I |
| Cable | Schuko L > 1000 [mm] |
| Connectivity | Modbus RS485 e Wi-Fi |
| Other | 3 Way Bypass valve setting (optional) |

HYDRAULIC SPECIFICATIONS

| | |
|-------------------------------|---------------------------------|
| Ambient operating temperature | From 5 [°C] to 32 [°C] – 60% RH |
| Water inlet temperature | From 6 [°C] to 75 [°C] |
| Working pressure | From 1 [bar] to 10 [bar] |
| Hydraulic connections | G1/2" male |

(1) Measured according to EN 1397: Water IN 45 / OUT 40 [°C], Air 20 [°C], Wet-bulb 15 [°C], Maximum speed

(2) Measured according to EN 1397: Water IN 7 / OUT 12 [°C], Air 27 [°C], Wet-bulb 19 [°C], Maximum speed

(3) Measured according to EN 16583 + EN ISO 3741