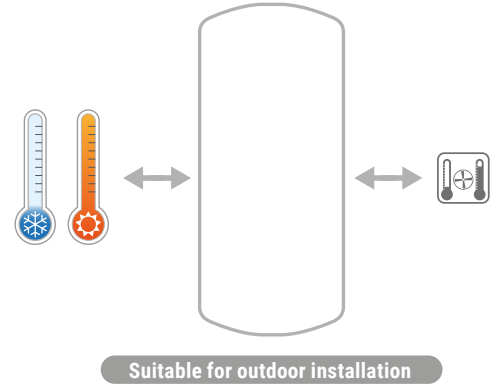


VOLANO TERMICO CALDO-FREDDO R/C GB VT

VERTICAL INERTIAL HOT/COLD WATER TANK



PRESSURE	TEMPERATURE
Pmax	Tmax
6 bar	-10 / +90 °C



APPLICATION AND TECHNICAL DESCRIPTION

Storage of chilled or hot water for inverter installations. These buffers have a high thermal insulation and external lining with galvanized and painted metallic cover. The anti-corrosion treatment is not necessary being installed in closed systems. They are suited for installations that works with cold water during summer and hot water during winter. They also allow to limit the number of switch on/off of the generator (either heat pump, chilled system or standard generator) increasing the thermic inertia of the system and to have more stable temperatures.

MATERIAL

Mild steel

EXTERNAL LINING

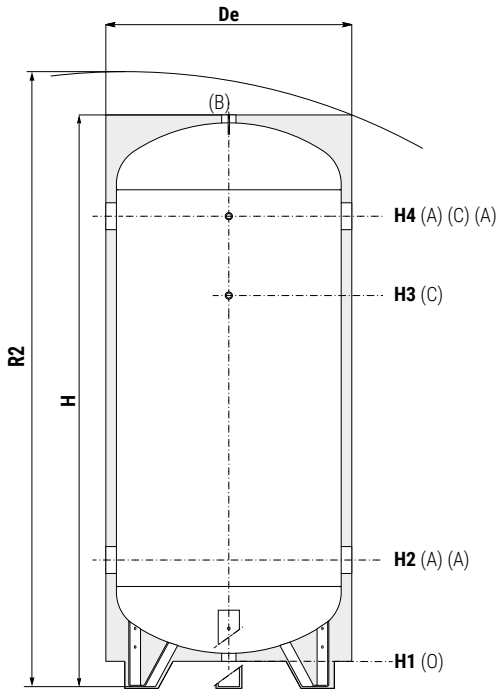
Galvanized and painted metallic cover.

INSULATION

High thermal insulation with ecological polyurethane hard foam.

WARRANTY

2 years-See general sales conditions and warranty.



- A** To the System
- B** Safety Valve
- C** Connection for instrumentation 1/2" G F
- O** Drain



VOLANO TERMICO CALDO-FREDDO

ENERGY EFFICIENCY CLASS

Model	Art. Nr.	ErP
100	3001162310501	C
200	3001162310502	C
300	3001162310503	C
500	3001162310524	C
800	3001162310529	C
1000	3001162310530	C
1500	3001162310527	C
2000	3001162310528	C

VOLANO TERMICO CALDO-FREDDO

ENERGY EFFICIENCY CLASS

Model	Art. Nr.	ErP
800	3001162310525	B
1000	3001162310526	B

Model	Weight [Kg]	Volume [lt]	De	H	R2	H1 [mm]	H2	H3	H4	Connections F		
										B-O	A	C
100	32	101	460	1006	1115	73	287	592	792	1"1/4	1"1/2	1/2"
200	53	190	510	1407	1505	68	297	927	1177	1"1/4	1"1/2	1/2"
300	67	292	610	1518	1640	129	404	994	1244	1"1/4	2"	1/2"
500	101	501	750	1790	1945	80	400	1200	1450	1"1/4	3"	1/2"
800	147	788	850	2100	2270	80	430	1437	1730	1"1/4	3"	1/2"
1000	170	1034	950	2166	2370	80	463	1463	1763	1"1/2	3"	1/2"
1500	183	1432	1100	2366	2615	100	471	1681	1981	2"	3"	1/2"
2000	219	1970	1300	2436	2770	100	506	1716	2016	2"	3"	1/2"
800 (B)	147	788	900	2100	2290	80	430	1437	1730	1"1/4	3"	1/2"
1000 (B)	170	1034	1000	2166	2390	80	463	1463	1763	1"1/2	3"	1/2"