

VASO STORAGE INOX COMPACT

STAINLESS STEEL 316L DOMESTIC HOT WATER ACCUMULATION TANK
SUITABLE FOR LOW-CEILINGED ROOMS



APPLICATION

Domestic hot water storage.
Suitable for low-ceilinged room.

MATERIAL

Stainless Steel 316 L suitable for domestic hot water

INSULATION (DISMOUNTABLE)

NOFIRE® polyester fleece 100% made of recyclable material, with high thermal insulation. Fire resistance class B-s2d0 according to EN 13501.

Grey PVC external lining.

CATHODE PROTECTION

n° 2 magnesium anodes.

DRAIN

External confluence through drain connection.

GASKET- FLANGE PLATE

Silicone gaskets suitable for water intended for human consumption (tested according to 98/83/CE); Stainless steel blind flange.

WARRANTY

5 years (See general sales conditions and warranty)

ACCESSORIES AND SPARE PARTS

See Accessories section for the entire list.



316L
STAINLESS STEEL
DHW STORAGE



VASO STORAGE COMPACT XC

DISMOUNTABLE SOFT FLEECE

Model	INSULATION
	Art. Nr.
2500	3060052140411
3000	3060052140413
4000	3060052140415

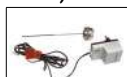
ACCESSORIES

ELECTRIC IMMERSION HEATERS

Mod.	MONOPHASE			THREEPHASE				
	1,5 kW	2 kW	3 kW	4 kW	5 kW	6 kW	9 kW	12 kW
	52400000000051	52400000000052	52400000000053	52400000000047	52400000000048	52400000000049	52400000000050	52400000000031
	Ignition time from 10 °C to 45 °C with electric immersion heaters [min]							
	1428	1071	714	535	428	357	238	178
	1565	1173	782	587	469	391	261	196
	1655	1241	828	621	497	414	276	207

Titanium anode (for stainless steel calorifiers)

See Accessories section



Thermometer

Art. Nr.
5032240000107
5 units box



Heat Exchangers

See
Accessories
section

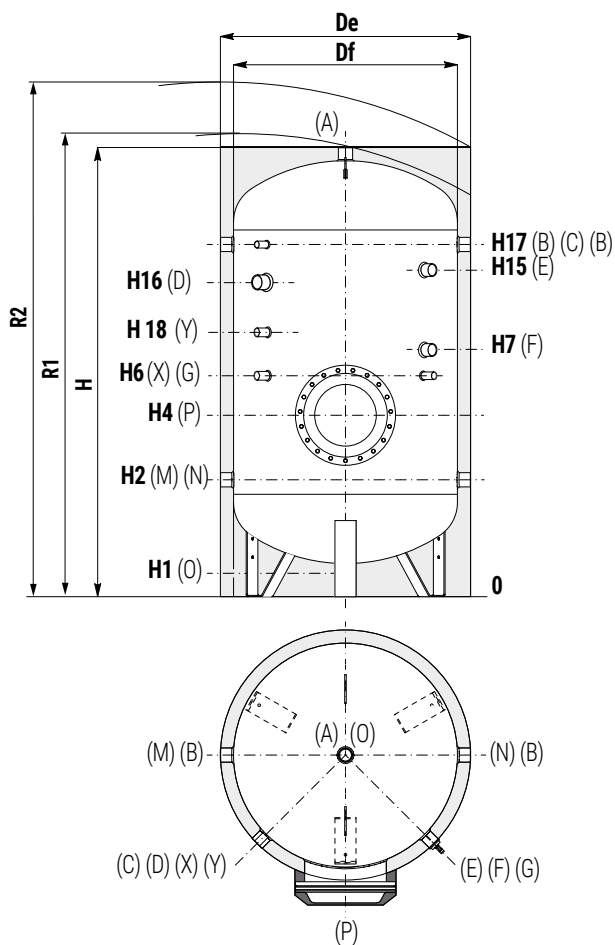
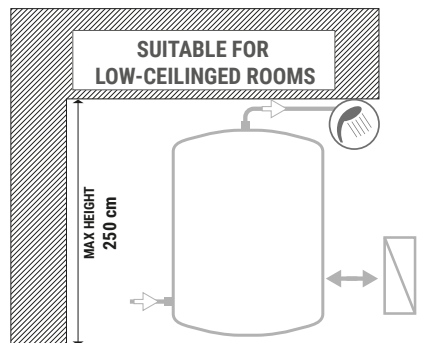


VASO STORAGE INOX COMPACT

STAINLESS STEEL 316L DOMESTIC HOT WATER ACCUMULATION TANK
SUITABLE FOR LOW-CEILINGED ROOMS

STORAGE

P _{max}	T _{max}
6 bar	95 °C



- A** Domestic hot water outlet 2" G F
- B** Recirculation / Domestic hot water outlet 2" G F
- C** Connection for instrumentation 1/2" G F
- D** Connection for electric immersion heater 2" G F
- E** Connection for 2nd magnesium anode/Titanium anode 1" 1/4 G F
- F** Connection for magnesium anode/Titanium anode 1" 1/4 G F
- G** Connection for instrumentation 1/2" G F
- M** Domestic cold water circuit inlet 2" G F
- N** Alternative domestic cold water circuit inlet or connection for more tanks in series 2" G F
- O** Drain 1" G F
- P** Flange
- X** Connection for titanium anode 3/4" G F
- Y** Connection for titanium anode 3/4" G F (Only 4000)

COMPLETE YOUR SYSTEM WITH THE NEW PRS MODULE (FOR IMMEDIATE DHW PREPARATION)

SEE HYDRONIC SECTION

Model	Volume [lt]	Weight [kg]	Df	De	H	R1	R2	H1	H2	H4	H6	H7
			[mm]									
2500	2635	269	1400	1500	2122	2542	2600	117	557	602	742	982
3000	3038	315	1500	1600	2131	2606	2670	106	556	601	741	981
4000	4002	665	1600	1700	2409	2892	2950	94	564	609	749	1029

Model	H15	H16	H17	H18	P
	[mm]				
2500	1552	1501	1657	//	Ø1170/Øe240
3000	1551	1500	1656	//	Ø1170/Øe240
4000	1809	1732	1904	1261	Ø1170/Øe240

P.E.D. product designed and produced in conformity to the article 4.3 of directive 2014/68/UE - ErP Ecodesign directive 2009/125/CE