

VASO STORAGE INOX A1

STAINLESS STEEL 316L DOMESTIC HOT WATER ACCUMULATION TANK WITH FIREPROOF INSULATION AND ALUMINIUM EXTERNAL COVER



APPLICATION

Domestic hot water storage.

MATERIAL

Stainless Steel 316 L suitable for domestic hot water

INSULATION (DISMOUNTABLE)

Complete fireproof class A1 insulation in compliance with EN 13501, consisting of:

- Glass/rock wool with high thermal insulation
- Removable aluminium cover for models > 2000.

The models 3000-4000-5000 are supplied with non-assembled insulation.

CATHODE PROTECTION

Magnesium anode. Models > 1500 n° 2 magnesium anodes.

DRAIN

External confluence through drain connection.

GASKET- FLANGE PLATE

Silicone gaskets suitable for water intended for human consumption (tested according to 98/83/CE); max temperature up to 200°C. Stainless steel blind flange.

WARRANTY

5 years (See general sales conditions and warranty)

ACCESSORIES AND SPARE PARTS

See Accessories section for the entire list.



316L
STAINLESS STEEL
DHW STORAGE



VASO STORAGE A1 X

ENERGY EFFICIENCY CLASS

Model NON-REMOVABLE ALUMINIUM COVER



	Art. Nr.	
800	3060052140330	C
1000	3060052140335	C
1500	3060052140332	C
2000	3060052140333	C



VASO STORAGE A1 X

Model REMOVABLE ALUMINIUM COVER

	Art. Nr.	
2500	3060052140310	
3000	3060052140312	
5000	3060052140315	



VASO STORAGE A1 X COMPACT

Model REMOVABLE ALUMINIUM COVER

	Art. Nr.	
Compact models 2500	3060052140311	
3000	3060052140313	
4000	3060052140314	

ACCESSORIES

ELECTRIC IMMERSION HEATERS



Mod. Heated volume by electric immersion heater [lt]

800	640
1000	718
1500	1031
2000	1345
2500	1652
3000	2266
4000	2810
5000	3814

5 kW	6 kW	9 kW	12 kW
5240000000048	5240000000049	5240000000050	5240000000031

Ignition time from 10 °C to 45 °C with electric immersion heaters [min]

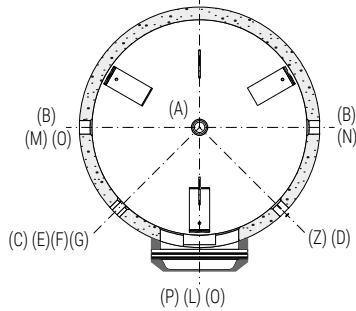
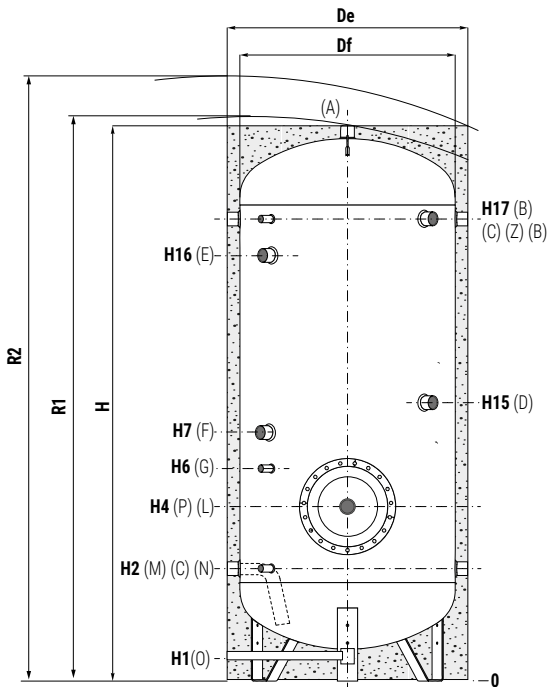
	344	287	//	//
	386	322	214	161
	554	462	308	231
	723	602	402	301
	888	740	493	370
	1217	1014	676	507
	1510	1258	839	629
	2049	1708	1138	854

VASO STORAGE INOX A1

STAINLESS STEEL 316L DOMESTIC HOT WATER ACCUMULATION TANK WITH FIREPROOF INSULATION AND ALUMINIUM EXTERNAL COVER

STORAGE

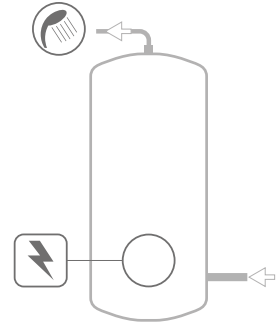
P_{max} T_{max}
7 bar 95 °C



COMPLETE YOUR SYSTEM WITH THE NEW PRS MODULE (FOR IMMEDIATE DHW PREPARATION)



SEE HYDRONIC SECTION



- A** Domestic hot water outlet
- B** Backflow external heat exchanger / Recirculation
- C-G** Connection for instrumentation 1/2" G F
- D-L** Connection for electric immersion heater
- E** Connection for 2nd magnesium anode 1" 1/4 G F (Models >1500)
- F** Connection for magnesium anode 1" 1/4 G F
- M** Domestic cold water circuit inlet
- N** Delivery to external heat exchanger
- O** Drain
- P** Flange for inspection
- Z** Connection for electric immersion heater 1" 1/2 G F

P.E.D. product designed and produced in conformity to the article 4.3 of directive 2014/68/UE - ErP Ecodesign directive 2009/125/CE

Model	Volume	Weight	Df	De	H	R1	R2	H1	H2	H4	
	[lt]	[kg]									
800	793	161	750	950	2188	//	2390	89	433	568	
1000	112	191	790	990	2188	//	2430	84	437	722	
1500	1427	312	1000	1200	2228	//	2530	74	447	732	
2000	2017	374	1250	1450	2111	//	2560	96	529	804	
2500	2319	443	1250	1450	2361	2670	2770	96	529	804	
3000	2925	477	1250	1450	2861	3120	3210	96	529	804	
5000	4995	755	1600	1800	2965	3370	3470	56	564	839	
Compact models	2500	2635	469	1400	1600	2175	2590	2700	79	557	832
	3000	3039	515	1500	1700	2190	2660	2770	106	556	831
	4000	4002	648	1600	1800	2465	2940	3050	56	564	839

Model	H6	H7	H15	H16	H17	P	O	M-N-B	D-L	A	
	[mm]										
800	718	1018	1118	//	1793	Øi430/Øe512	1"1/4	1"1/4	1"1/2	1"1/4	
1000	922	1122	1222	//	1743	Øi430/Øe512	1"1/2	1"1/2	2"1/2	1"1/2	
1500	932	1132	1232	//	1807	Øi430/Øe512	1"	1"1/2	2"1/2	2"	
2000	1004	1154	1264	1469	1619	Øi430/Øe512	1"	2"	2"1/2	2"	
2500	1004	1199	1299	1644	1869	Øi430/Øe512	1"	2"	2"1/2	2"	
3000	1004	1354	1454	2144	2369	Øi430/Øe512	1"	2"	2"1/2	2"	
5000	1039	1339	1459	2179	2404	Øi430/Øe512	1"	2"	2"1/2	2"	
Compact models	2500	1032	1182	1282	1507	1657	Øi430/Øe512	1"	2"	2"1/2	2"
	3000	1031	1181	1281	1506	1656	Øi430/Øe512	1"	2"	2"1/2	2"
	4000	1039	1189	1309	1764	1914	Øi430/Øe512	1"	2"	2"1/2	2"