

VASO STORAGE 3

POLYWARM® COATED DOMESTIC HOT WATER ACCUMULATION TANK WITH 3 BLIND FLANGES



APPLICATION

Domestic hot water storage.

MATERIAL

Mild steel Polywarm® coated (Attestation ACS - SSICA - EN 16421 - WRAS).

INSULATION

SOFT: NOFIRE® polyester fleece 100% made of recyclable material, with high thermal insulation. Fire resistance class B-s2d0 according to EN 13501.

Grey PVC external lining.

CATHODE PROTECTION

Magnesium anode. Models > 1500 n° 2 magnesium anodes.

DRAIN

External confluence through drain connection. Models > 1000 external confluence through drain pipe.

GASKET- FLANGE PLATE

N° 3 blind flanges

Silicone gaskets suitable for water intended for human consumption (tested according to 98/83/CE), max temperature up to 200°C. Mild steel inspection flange plate Polywarm® coated.

WARRANTY

5 years (See general sales conditions and warranty)

ACCESSORIES AND SPARE PARTS

See Accessories section for the entire list.



POLYWARM®
COATED
DHW STORAGE



VASO STORAGE 3 WC

DISMOUNTABLE SOFT FLEECE INSULATION

ENERGY EFFICIENCY CLASS



Model	Art. Nr.	ENERGY EFFICIENCY CLASS
500	3092162360140	C
1000	3092162360141	C
1500	3092162360142	C
2000	3092162360143	C
3000	3092162360144	
5000	3092162360145	

ACCESSORIES

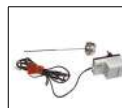
HEAT MANAGER + electric immersion heater 1,5 kW + probe +3m cable

Art. Nr.	ELECTRIC IMMERSION HEATER
5240000000074	1,5 kW
5240000000075	2 kW
5240000000076	3 kW

See Accessories section

Titanium anode

See Accessories section



Heat Exchangers

See Accessories section

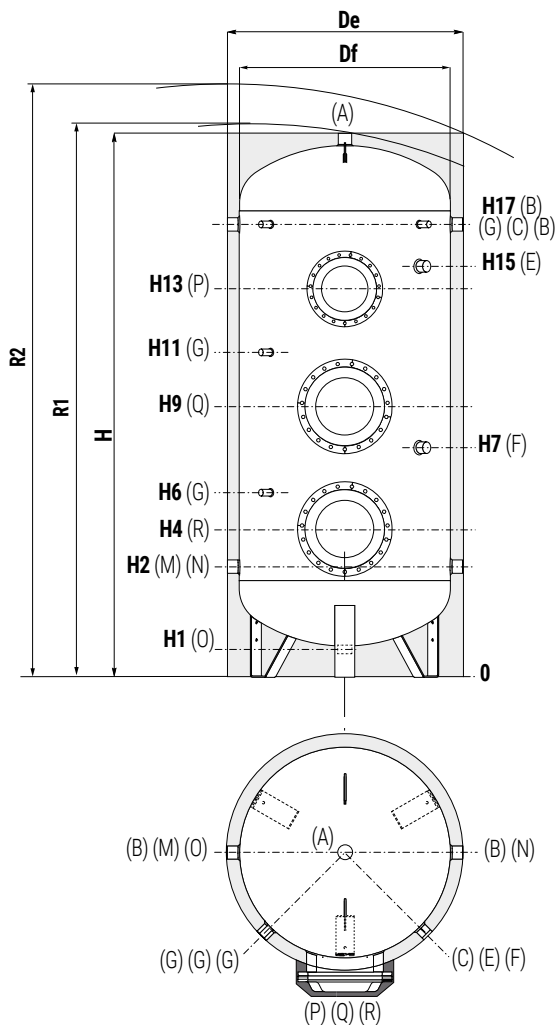
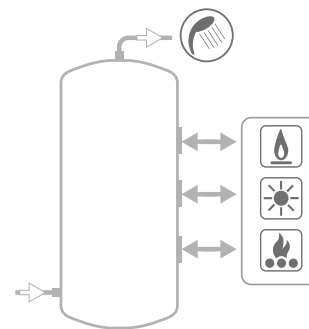


VASO STORAGE 3

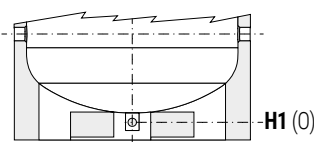
POLYWARM® COATED DOMESTIC HOT WATER ACCUMULATION TANK WITH 3 BLIND FLANGES

STORAGE

Model	Pmax	Tmax
500 ÷ 1000	8 bar	90 °C
1500 ÷ 5000	6 bar	



- A** Domestic hot water outlet 2" G F
- B** Recirculation / Domestic hot water outlet 1" 1/2 G F. For models > 1500 2" G F
- C** Connection for instrumentation 1/2" G F
- E** Connection for 2nd magnesium anode 1" 1/4 G F (only for models > 1500)
- F** Connection for magnesium anode 1" 1/4 G F
- G** Connection for instrumentation 1/2" G F
- M** Domestic cold water circuit inlet 1" 1/2 G F. For models > 1500 2" G F
- N** Alternative domestic cold water circuit inlet or connection for more tanks in series 1" 1/2 G F. For models > 1500 2" G F
- O** Drain
- P-Q-R** Flange



Models from 1500 to 5000 are equipped with a practical skirt support which facilitate the handling with transpallets and forklifts. Also, discharge piping already mounted to allow **total emptying**.

Model	Volume		De	Df	H	R1	R2	H1	H2	H4	H6	H7
	[lt]	[kg]										
500	500	105	870	650	1891	1990	2090	126	416	501	611	801
1000	1360	178	1070	850	2198	2240	3140	89	454	562	649	989
1500	1455	239	1210	950	2440	2495	2730	109	440	675	825	1075
2000	1991	366	1360	1100	2492	2570	2850	91	467	692	867	842
3000	2933	446	1350	1250	2811	2950	3130	140	551	836	1011	1036
5000	4996	746	1700	1600	2915	3130	3380	94	580	855	1030	1035

Model	H9	H11	H13	H15	H17	Q-R	P	O
500	951	1061	1401	//	1526	Ø1220/Øe300	Ø1220/Øe300	1" 1/4
1000	1112	1249	1612	//	1760	Ø1300/Øe380	Ø1300/Øe380	1" 1/2
1500	1250	1400	1875	//	2050	Ø1300/Øe380	Ø1300/Øe380	1"
2000	1262	1437	1817	1592	2057	Ø1350/Øe430	Ø1300/Øe380	1"
3000	1476	1651	2176	1926	2391	Ø1350/Øe430	Ø1300/Øe380	1"
5000	1505	1680	2115	1855	2420	Ø1350/Øe430	Ø1350/Øe430	1"

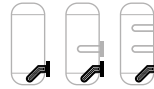
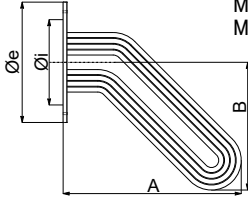
P.E.D. product designed and produced in conformity to the article 4.3 of directive 2014/68/UE - ErP Ecodesign directive 2009/125/CE

INTEGRATIVE COMPONENTS FOR VASO STORAGE

COMPATIBILITY TABLES VASO STORAGE/HEAT EXCHANGERS

ANTILEGIONELLA® HEAT EXCHANGER KIT

Antilegionella® 316L stainless steel curved heat exchanger kit + gaskets + bolts and insulated bushes.
Max working pressure: 12 bar
Max working temperature: 110 °C



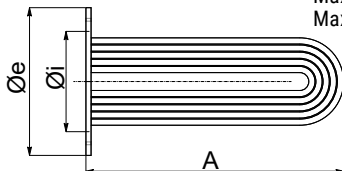
Antilegionella® heat exchanger kit + gaskets + bolts and insulated bushes.

ANTILEGIONELLA® HEAT EXCHANGER

Heat exchanger surface	Øi / Øe flange	A	B	Art. Nr.	Storage 1 - 2	Storage 1-2-3	Storage 1-2	Storage 1-2-3	Storage 1 - 2 - 3	Storage 1 - 2	Storage 1-2-3	Storage 1 - 2	Storage 1-2-3		
					Storage COMPACT										
					Model										
[m ²]	[mm]				200	300	500	800	1000	1500	2000	2500	3000	4000	5000
0,5	Øi220/Øe300	350	240	5221000010100	✓	✓	✓								
0,75	Øi220/Øe300	350	240	5221000010101	✓	✓	✓								
1	Øi220/Øe300	371	261	5221000010102			✓								
1,5	Øi220/Øe300	561	311	5221000010113			✓								
1,5	Øi300/Øe380	496	336	5221000010103				✓	✓	✓					
2	Øi300/Øe380	496	336	5221000010104				✓	✓	✓					
3	Øi300/Øe380	607	452	5221000010105					✓	✓					
4	Øi350/Øe430	636	457	5221000010106							✓	✓	✓	✓	✓
5	Øi350/Øe430	678	498	5221000010107							✓	✓	✓	✓	✓
6	Øi350/Øe430	828	585	5221000010123									✓	✓	✓
8	Øi350/Øe430	1250	598	5221000010108										✓	✓
10	Øi350/Øe430	1550	538	5221000010109											✓

STRAIGHT HEAT EXCHANGER KIT

Straight 316L stainless steel heat exchanger kit + gaskets + bolts and insulated bushes.
Max working pressure: 12 bar
Max working temperature: 110 °C



Straight heat exchanger kit + gaskets + bolts and insulated bushes.

MIDDLE HEAT EXCHANGER

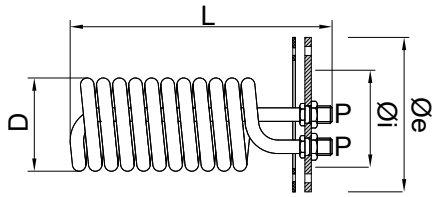
UPPER HEAT EXCHANGER

Heat exchanger surface	Øi / Øe flange	A	Art. Nr.	Storage 2-3											Storage 2-3						
				Model																	
				200	300	500	800	1000	1500	2000	2500	3000	4000	5000	500	1000	1500	2000	3000	5000	
0,5	Øi220/Øe300	445	5221000010074	✓	✓	✓											✓				
0,75	Øi220/Øe300	445	5221000010075	✓	✓	✓											✓				
1	Øi220/Øe300	475	5221000010076	✓	✓	✓											✓				
1,5	Øi220/Øe300	690	5221000010077			✓											✓				
1,5	Øi300/Øe380	600	5221000010078				✓	✓	✓								✓	✓	✓	✓	
2	Øi300/Øe380	560	5221000010079				✓	✓	✓								✓	✓	✓	✓	
3	Øi300/Øe380	720	5221000010080				✓	✓	✓								✓	✓	✓	✓	
4	Øi350/Øe430	750	5221000010081							✓	✓	✓	✓	✓							✓
5	Øi350/Øe430	780	5221000010082							✓	✓	✓	✓	✓							✓
6	Øi350/Øe430	890	5221000010122							✓	✓	✓	✓	✓							✓
8	Øi350/Øe430	1250	5221000010083								✓	✓	✓	✓							✓
10	Øi350/Øe430	1510	5221000010084										✓								✓

INTEGRATIVE COMPONENTS FOR VASO STORAGE

COMPATIBILITY TABLES VASO STORAGE/HEAT EXCHANGERS

FINNED HEAT EXCHANGER KIT



Copper finned and tinned heat exchangers+ flange plate + gaskets + bolts and insulated bushes.
Max working pressure: 12 bar
Max working temperature: 110 °C

Finned heat exchanger kit + flange plate + gaskets + bolts and insulated bushes.

MIDDLE AND LOWER HEAT EXCHANGER

UPPER HEAT EXCHANGER

Heat exchanger surface [m²]	Øi / Øe flange [mm]	D	L	P	Capacity [lit]	Art. Nr.	Storage 1 - 1 COMPACT -2										Storage 3										
							Model										Model										
							200	300	500	800	1000	1500	2000	2500	3000	4000	5000	500	1000	1500	2000	3000	5000				
0,76	Ø1220/Øe300	142	400	1"	0,6	5221000061003	✓	✓	✓												✓						
0,94	Ø1220/Øe300	142	410	1"	0,54	5221000061002	✓	✓	✓												✓						
1,58	Ø1220/Øe300	170	440	1"	1,21	5221000061004	✓	✓	✓												✓						
0,94	Ø1300/Øe380	142	410	1"	0,54	5221000061011				✓	✓	✓										✓	✓	✓	✓	✓	
1,58	Ø1300/Øe380	170	440	1"	1,21	5221000061012				✓	✓	✓										✓	✓	✓	✓	✓	
2,63	Ø1300/Øe380	190	570	1"	2,07	5221000061006				✓	✓	✓										✓	✓	✓	✓	✓	
3,17	Ø1300/Øe380	190	665	1"	2,51	5221000061007				✓	✓	✓										✓	✓	✓	✓	✓	
4,54	Ø1300/Øe380	190	750	1"1/4	3,6	5221000061008				✓	✓	✓											✓	✓	✓	✓	
3,17	Ø1350/Øe430	190	665	1"	2,51	5221000061013							✓	✓	✓	✓	✓										✓
4,54	Ø1350/Øe430	190	750	1"1/4	3,6	5221000061014							✓	✓	✓	✓	✓										✓
5,26	Ø1350/Øe430	190	850	1"1/4	4,14	5221000061009							✓	✓	✓	✓	✓										✓
6,34	Ø1350/Øe430	190	980	1"1/4	5,1	5221000061010							✓	✓	✓	✓	✓										✓

FLANGE PLATE FOR D.H.W. STORAGE TANKS

After choosing the heat exchanger according to the compatibility tables and to the needs of the installation, it is necessary to choose the flange plate of the corresponding diameter.



Art. Nr.	Connection	Ø outer [mm]
5206000000001	1"	300
5206000000002	2"	380
5206000000003	2"	430

Includes 2 gaskets, bolts and insulated bushes.
 Applicable only on stainless steel tube heat exchangers.

The Flange plate includes 2 sleeve collars for the connection to the operating system. This allows the circulation of the liquid within the heat exchanger's serpentine doing the real separation between the incoming liquid and the outgoing one. The flange plate is in mild steel. Blind flange for accumulation tank in Polywarm® available also with 1 connection. Including: gaskets, bolts and bushes

FLANGE PLATE FOR VASI STORAGE (POLYWARM®)



Art. Nr.	Connection	Ø outer [mm]
52060000000051	1"1/2	300
52060000000054	1"1/2	380
52060000000056	1"1/2	430
52060000000053	2"	430

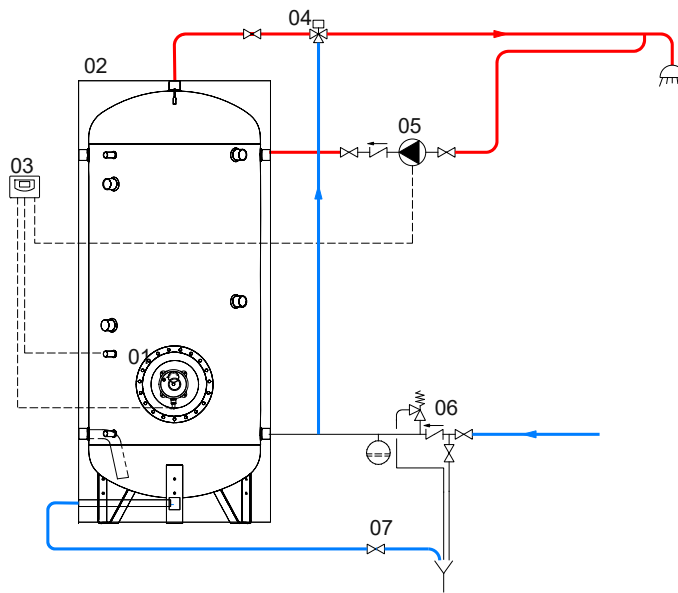
Includes 1 gasket and bolts
 1 connection for electric immersion heater (applicable on Vaso storage only)



Art. Nr.	Ø outer [mm]
5206000000101	300
5206000000102	380
5206000000103	430

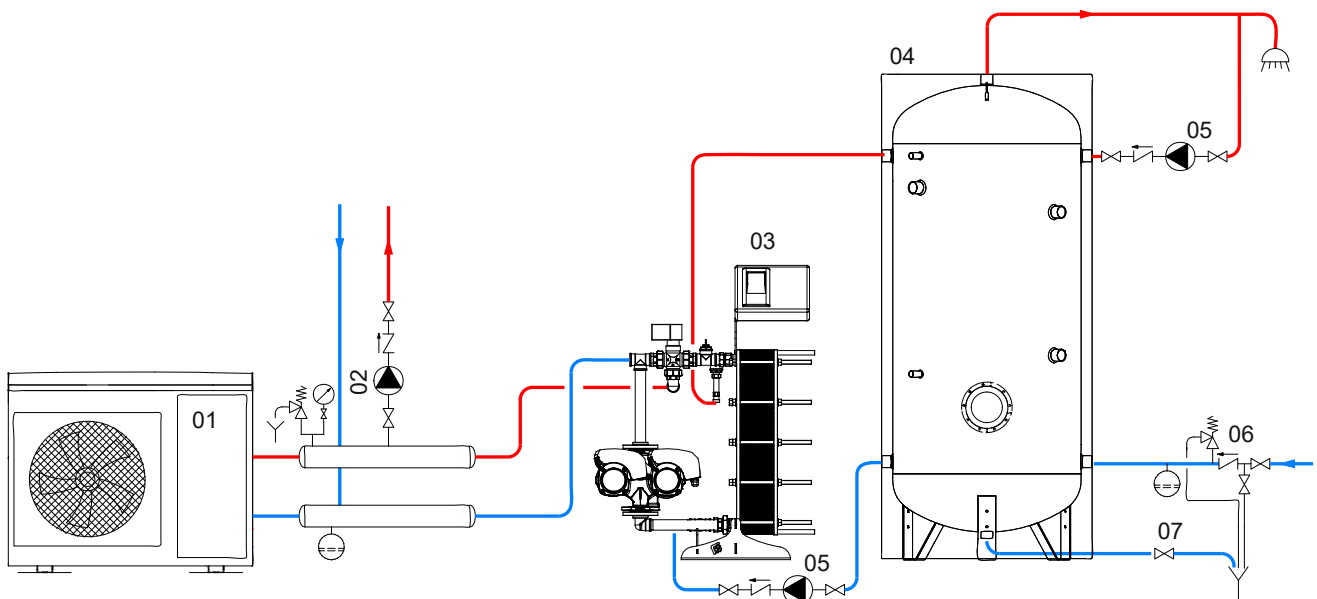
Includes 1 gasket and bolts
 Blind flange available (available on storage tanks)

EXAMPLE OF INSTALLATION WITH VASO INERZIALE A1



01	Electric immersion heater ad immersione	03	Electronic Control/thermostat	05	D.H.W. recirculation group	07	Blowdown valve
02	VASO INERZIALE A1	04	Thermostatic mixing valve	06	Hydraulic safety group		

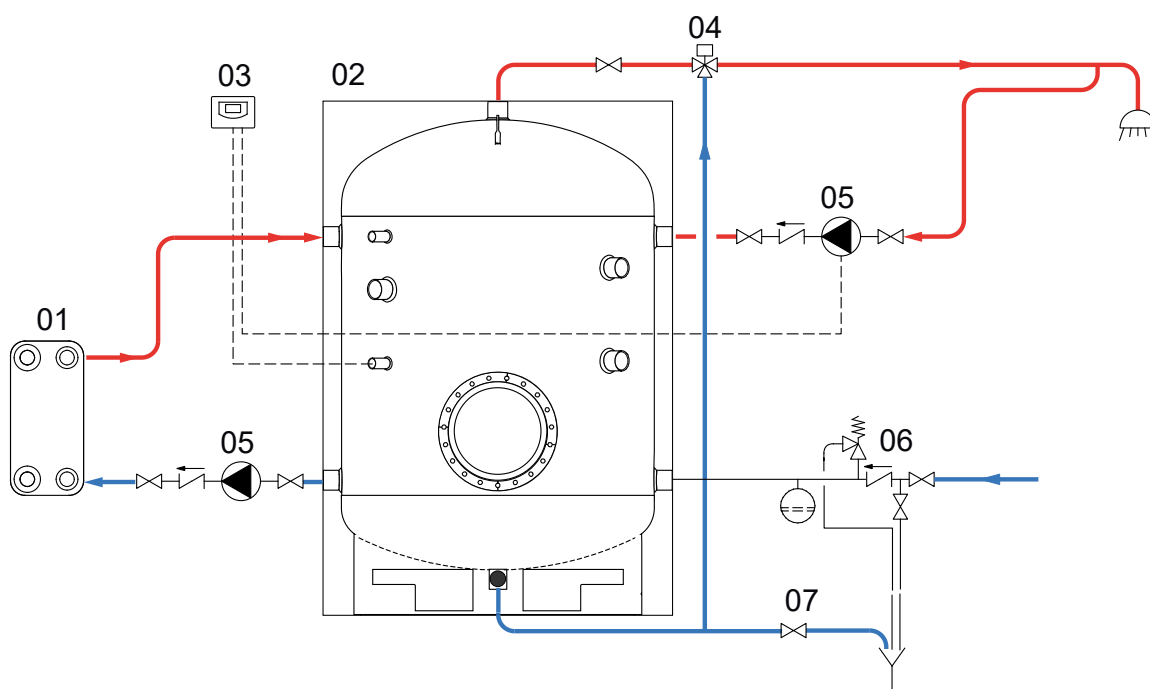
EXAMPLE OF INSTALLATION WITH PRS MODULE - FOR DHW ACCUMULATION



01	Generator	04	VASO INERZIALE	07	Blowdown valve
02	Heating system circulation group	05	D.H.W. recirculation group		
03	PRS module	06	Hydraulic safety group		

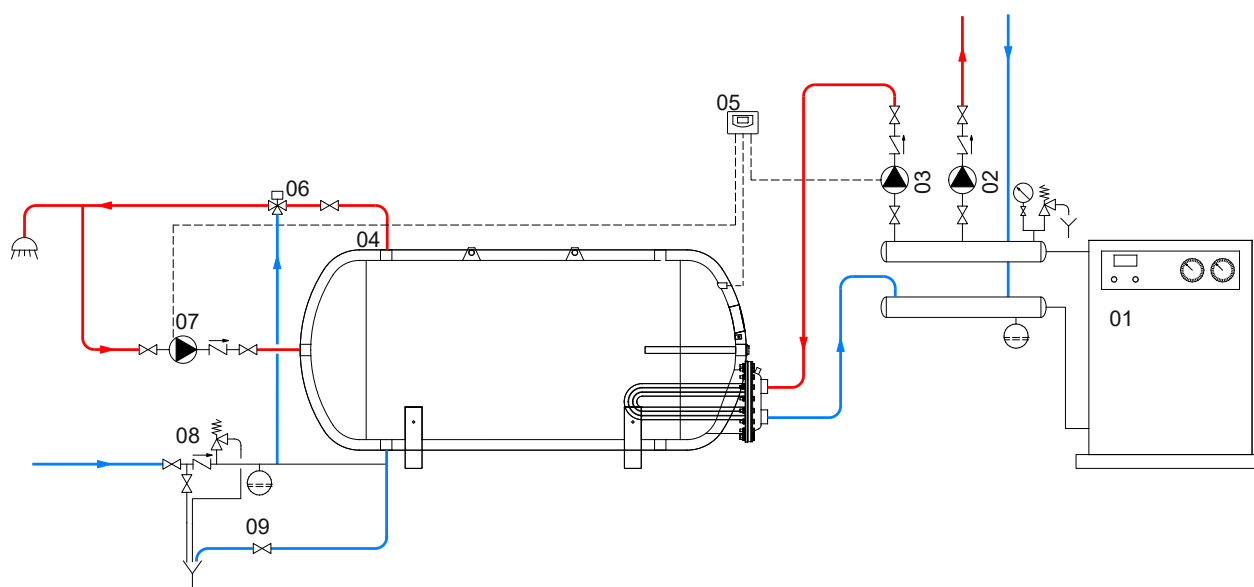
The following schemes are purely illustrative. To realize the installation, always refer to a qualified technician.

EXAMPLE OF INSTALLATION WITH VASO STORAGE COMPACT



01	Generator / Plate heat exchanger	03	Electronic Control/thermostat	05	D.H.W. recirculation group	07	Blowdown valve
02	VASO STORAGE COMPACT	04	Thermostatic mixing valve	06	Hydraulic safety group		

EXAMPLE OF INSTALLATION WITH EXTRA HORIZONTAL



01	Generator	04	EXTRA HORIZONTAL	07	D.H.W. recirculation group
02	Heating system circulation group	05	Electronic Control/thermostat	08	Hydraulic safety group
03	D.H.W. circulation group	06	Thermostatic mixing valve	09	Blowdown valve

The following schemes are purely illustrative. To realize the installation, always refer to a qualified technician.