

# VASO STORAGE 2

POLYWARM® COATED DOMESTIC HOT WATER ACCUMULATION TANK WITH 2 BLIND FLANGES



## APPLICATION

Domestic hot water storage.

## MATERIAL

Mild steel Polywarm® coated (Attestation ACS - SSICA - EN 16421 - WRAS).

## INSULATION

- HARD: High thermal insulation with ecological polyurethane hard foam.

- SOFT: NOFIRE® polyester fleece 100% made of recyclable material, with high thermal insulation. Fire resistance class B-s2d0 according to EN 13501.

Grey PVC external lining.

## CATHODE PROTECTION

Magnesium anode. Models > 1500 n° 2 magnesium anodes.

## DRAIN

External confluence through drain connection. Models > 1000 external confluence through drain pipe.

## GASKET- FLANGE PLATE

N° 2 blind flanges

Silicone gaskets suitable for water intended for human consumption (tested according to 98/83/CE), max temperature up to 200°C. Mild steel inspection flange plate Polywarm® coated.

## WARRANTY

5 years (See general sales conditions and warranty)

## ACCESSORIES AND SPARE PARTS

See Accessories section for the entire list.



## VASO STORAGE 2 WB

ENERGY EFFICIENCY CLASS

Model	HARD FOAM INSULATION	Art. Nr.	ErP
200		3084162360010	B
300		3084162360011	C
500		3084162360012	C
800		3084162360013	B
1000		3084162360014	C
1500		3084162360015	C
2000		3084162360016	B



## VASO STORAGE 2 WC

ENERGY EFFICIENCY CLASS

Model	DISMOUNTABLE SOFT FLEECE INSULATION	Art. Nr.	ErP
500		3082162360140	C
800		3082162360141	C
1000		3082162360142	C
1500		3082162360143	C
2000		3082162360144	C
2500		3082162360145	
3000		3082162360146	
4000		3082162360147	
5000		3082162360148	

## ACCESSORIES

### ELECTRIC IMMERSION HEATERS



Mod. Heated volume by electric immersion heater [l]

Mod.	MONOPHASE		
	1,5 kW	2 kW	3 kW
200	49	76	127
300	76	127	178
500	127	178	243
800	178	243	288
1000	243	288	443
1500	288	443	577
2000	443	577	577
2500	577	577	797
3000	577	797	1040
4000	797	1040	
5000	1040		

Ignition time from 10 °C to 45 °C with electric immersion heaters [min]	MONOPHASE		
	1,5 kW	2 kW	3 kW
87	65	44	
136	102	68	
228	171	114	
318	239	159	
436	327	218	
516	387	258	
793	595	396	
1033	775	517	
1033	775	517	
1428	1071	714	
1864	1398	932	

Ignition time from 10 °C to 45 °C with electric immersion heaters [min]	THREEPHASE				
	4 kW	5 kW	6 kW	9 kW	12 kW
33	//	//	//	//	
51	//	//	//	//	
85	68	57	//	//	
120	96	80	//	//	
163	131	109	73	54	
194	155	129	86	65	
297	238	198	132	99	
387	310	258	172	129	
387	310	258	172	129	
535	428	357	238	178	
699	559	466	311	233	

### HEAT MANAGER + electric immersion heater 1,5 kW + probe +3m cable

Art. Nr.	ELECTRIC IMMERSION HEATER
5240000000074	1,5 kW
5240000000075	2 kW
5240000000076	3 kW

See Accessories section

### Titanium anode



See Accessories section

### Heat Exchangers



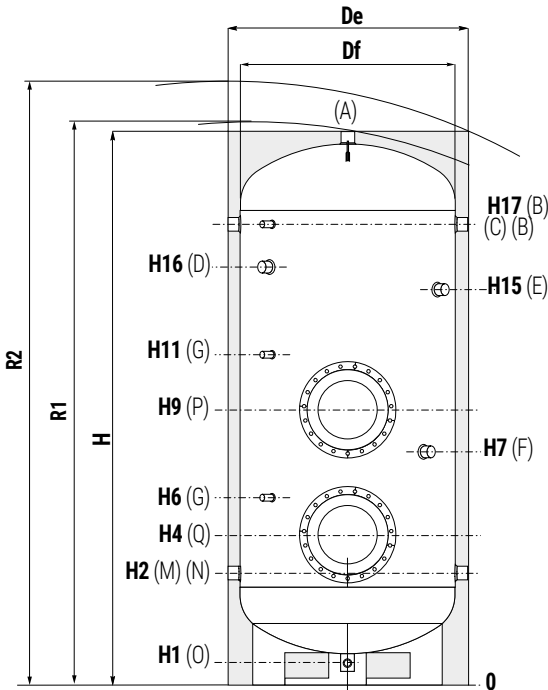
See Accessories section

# VASO STORAGE 2

POLYWARM® COATED DOMESTIC HOT WATER ACCUMULATION TANK WITH 2 BLIND FLANGES

## STORAGE

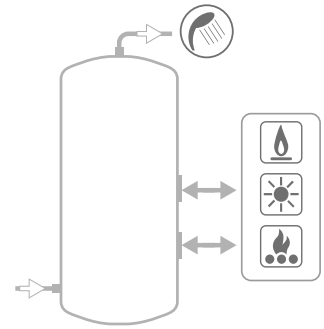
Model	Pmax	Tmax
200 ÷ 1000	8 bar	90 °C
1500 ÷ 5000	6 bar	



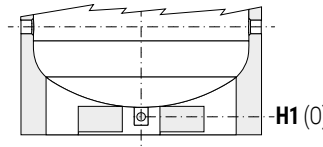
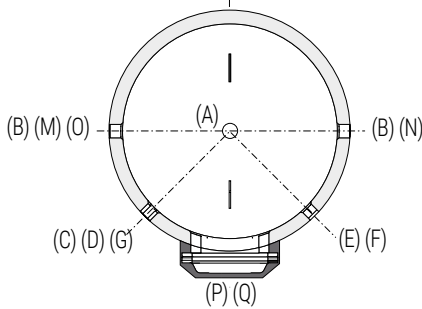
COMPLETE YOUR SYSTEM WITH THE NEW PRS MODULE (FOR IMMEDIATE DHW PREPARATION)



SEE HYDRONIC SECTION



- A** Domestic hot water outlet
- B** Recirculation / Domestic hot water outlet
- C** Connection for instrumentation G 1/2" F
- D** Connection for electric immersion heater 1"1/2 G F For models > 800 connection 2" G F
- E** Connection for 2nd magnesium anode 1"1/4 G F (only for models > 1500)
- F** Connection for magnesium anode 1" 1/4 G F
- G** Connection for instrumentation 1/2" G F
- M** Domestic cold water circuit inlet
- N** Alternative domestic cold water circuit inlet or connection for more tanks
- O** Drain
- P-Q** Flange



Models from 1500 to 5000 are equipped with a practical skirt support which facilitate the handling with transpallets and forklifts. Also, discharge piping already mounted to allow **total emptying**.

### VASO STORAGE 2 WB - HARD FOAM INSULATION

Model	Volume Weight		De	H	R2	H1	H2	H4	H6	H7	H9	H11	H15	H16	H17	P-Q	B-M-N A O		
	[lt]	[kg]															Connections F		
<b>200</b>	193	54	550	1449	1560	85	325	410	520	650	860	970	//	1075	1185	Øi220/Øe300	1"1/4	1"1/4	1"1/4
<b>300</b>	295	68	650	1499	1640	85	350	435	545	735	885	995	//	1100	1210	Øi220/Øe300	1"1/4	1"1/4	1"1/4
<b>500</b>	503	95	750	1800	1960	85	375	460	570	760	910	1020	//	1329	1485	Øi220/Øe300	1"1/4	1"1/4	1"1/4
<b>800</b>	799	154	900	2135	2330	85	405	540	690	870	1090	1240	//	1610	1765	Øi300/Øe380	1"1/4	1"1/4	1"1/4
<b>1000</b>	1047	176	1000	2221	2450	105	458	593	743	993	1143	1293	//	1664	1818	Øi300/Øe380	1"1/2	1"1/2	1"1/2
<b>1500</b>	1450	236	1100	2415	2660	109	440	675	825	1075	1250	1400	//	1895	2050	Øi300/Øe380	1"1/2	2"	1"
<b>2000</b>	1985	374	1300	2492	2820	91	467	692	867	842	1262	1437	1952	1877	2057	Øi350/Øe430	2"	2"	1"

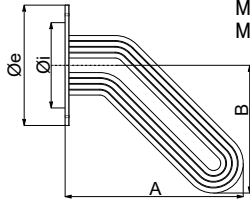
### VASO STORAGE 2 WC - DISMOUNTABLE SOFT FLEECE INSULATION

Model	Volume Weight		De	DF	H	R1	R2	H1	H2	H4	H6	H7	H9	H11	H15	H16	H17	P-Q	B-M-N A O		
	[lt]	[kg]																	Connections F		
<b>500</b>	500	100	870	650	1891	1998	2090	101	416	501	611	801	951	1061	//	1370	1526	Øi220/Øe300	1"1/4	1"1/4	1"1/4
<b>800</b>	798	153	970	750	2188	2220	2400	113	433	568	718	898	1118	1268	//	1638	1793	Øi300/Øe380	1"1/4	1"1/4	1"1/4
<b>1000</b>	1047	173	1070	850	2242	2270	2490	101	454	589	739	989	1139	1289	//	1660	1814	Øi300/Øe380	1"1/2	1"1/2	1"1/4
<b>1500</b>	1450	234	1210	950	2440	2495	2730	109	440	675	825	1075	1250	1400	//	1895	2050	Øi300/Øe380	1"1/2	2"	1"1/4
<b>2000</b>	1985	359	1360	1100	2492	2570	2850	91	467	692	867	842	1262	1437	1952	1877	2057	Øi350/Øe430	2"	2"	1"1/2
<b>2500</b>	2322	373	1350	1250	2311	2480	2690	140	551	776	951	976	1376	1551	1816	1732	1891	Øi350/Øe430	2"	2"	1"
<b>3000</b>	2928	439	1350	1250	2811	2950	3130	140	551	836	1011	1036	1476	1651	2316	2232	2391	Øi350/Øe430	2"	2"	1"
<b>4000</b>	3776	561	1500	1400	2875	3050	3250	114	570	855	1030	1035	1495	1670	2315	2238	2410	Øi350/Øe430	2"	2"	1"
<b>5000</b>	4990	739	1700	1600	2915	3130	3380	94	580	855	1030	1035	1505	1680	2335	2265	2420	Øi350/Øe430	2"	2"	1"

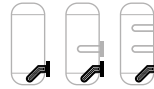
# INTEGRATIVE COMPONENTS FOR VASO STORAGE

## COMPATIBILITY TABLES VASO STORAGE/HEAT EXCHANGERS

### ANTILEGIONELLA® HEAT EXCHANGER KIT



Antilegionella® 316L stainless steel curved heat exchanger kit + gaskets + bolts and insulated bushes.  
**Max working pressure: 12 bar**  
**Max working temperature: 110 °C**

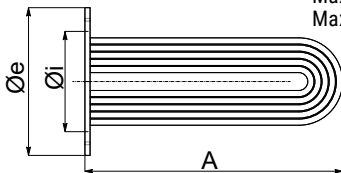


Antilegionella® heat exchanger kit + gaskets + bolts and insulated bushes.

### ANTILEGIONELLA® HEAT EXCHANGER

Heat exchanger surface	Øi / Øe flange	A	B	Art. Nr.	Storage 1 - 2	Storage 1-2-3	Storage 1-2	Storage 1-2-3	Storage 1 - 2 - 3	Storage 1 - 2	Storage 1-2-3	Storage 1 - 2	Storage 1-2-3	
					Storage COMPACT									
					Model									
[m <sup>2</sup> ]	[mm]	200	300	500	800	1000	1500	2000	2500	3000	4000	5000		
0,5	Øi220/Øe300	350	240	5221000010100	✓	✓	✓							
0,75	Øi220/Øe300	350	240	5221000010101	✓	✓	✓							
1	Øi220/Øe300	371	261	5221000010102			✓							
1,5	Øi220/Øe300	561	311	5221000010113			✓							
1,5	Øi300/Øe380	496	336	5221000010103				✓	✓	✓				
2	Øi300/Øe380	496	336	5221000010104				✓	✓	✓				
3	Øi300/Øe380	607	452	5221000010105					✓	✓				
4	Øi350/Øe430	636	457	5221000010106						✓	✓	✓	✓	
5	Øi350/Øe430	678	498	5221000010107						✓	✓	✓	✓	
6	Øi350/Øe430	828	585	5221000010123							✓	✓	✓	
8	Øi350/Øe430	1250	598	5221000010108								✓	✓	
10	Øi350/Øe430	1550	538	5221000010109									✓	

### STRAIGHT HEAT EXCHANGER KIT



Straight 316L stainless steel heat exchanger kit + gaskets + bolts and insulated bushes.  
**Max working pressure: 12 bar**  
**Max working temperature: 110 °C**



Straight heat exchanger kit + gaskets + bolts and insulated bushes.

### MIDDLE HEAT EXCHANGER

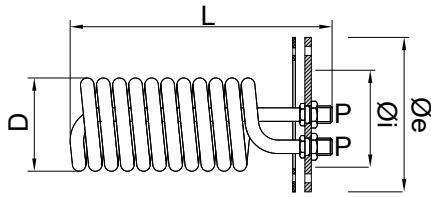
### UPPER HEAT EXCHANGER

Heat exchanger surface	Øi / Øe flange	A	Art. Nr.	Storage 2-3										Storage 2-3											
				Model																					
				200	300	500	800	1000	1500	2000	2500	3000	4000	5000	500	1000	1500	2000	3000	5000					
0,5	Øi220/Øe300	445	5221000010074	✓	✓	✓											✓								
0,75	Øi220/Øe300	445	5221000010075	✓	✓	✓											✓								
1	Øi220/Øe300	475	5221000010076	✓	✓	✓											✓								
1,5	Øi220/Øe300	690	5221000010077			✓											✓								
1,5	Øi300/Øe380	600	5221000010078				✓	✓	✓									✓	✓	✓	✓				
2	Øi300/Øe380	560	5221000010079				✓	✓	✓									✓	✓	✓	✓				
3	Øi300/Øe380	720	5221000010080				✓	✓	✓									✓	✓	✓	✓				
4	Øi350/Øe430	750	5221000010081							✓	✓	✓	✓	✓											✓
5	Øi350/Øe430	780	5221000010082							✓	✓	✓	✓	✓											✓
6	Øi350/Øe430	890	5221000010122							✓	✓	✓	✓	✓											✓
8	Øi350/Øe430	1250	5221000010083								✓	✓	✓	✓											✓
10	Øi350/Øe430	1510	5221000010084											✓											✓

# INTEGRATIVE COMPONENTS FOR VASO STORAGE

## COMPATIBILITY TABLES VASO STORAGE/HEAT EXCHANGERS

### FINNED HEAT EXCHANGER KIT



Copper finned and tinned heat exchangers+ flange plate + gaskets + bolts and insulated bushes.  
**Max working pressure: 12 bar**  
**Max working temperature: 110 °C**

Finned heat exchanger kit + flange plate + gaskets + bolts and insulated bushes.

#### MIDDLE AND LOWER HEAT EXCHANGER

#### UPPER HEAT EXCHANGER

Heat exchanger surface [m <sup>2</sup> ]	Øi / Øe flange [mm]	D	L	P	Capacity [lit]	Art. Nr.	Storage 1 - 1 COMPACT -2										Storage 3						
							Model										Model						
							200	300	500	800	1000	1500	2000	2500	3000	4000	5000	500	1000	1500	2000	3000	5000
0,76	Ø1220/Øe300	142	400	1"	0,6	5221000061003	✓	✓	✓									✓					
0,94	Ø1220/Øe300	142	410	1"	0,54	5221000061002	✓	✓	✓									✓					
1,58	Ø1220/Øe300	170	440	1"	1,21	5221000061004	✓	✓	✓									✓					
0,94	Ø1300/Øe380	142	410	1"	0,54	5221000061011				✓	✓	✓							✓	✓	✓	✓	
1,58	Ø1300/Øe380	170	440	1"	1,21	5221000061012				✓	✓	✓							✓	✓	✓	✓	
2,63	Ø1300/Øe380	190	570	1"	2,07	5221000061006				✓	✓	✓							✓	✓	✓	✓	
3,17	Ø1300/Øe380	190	665	1"	2,51	5221000061007				✓	✓	✓							✓	✓	✓	✓	
4,54	Ø1300/Øe380	190	750	1"1/4	3,6	5221000061008				✓	✓	✓							✓	✓	✓	✓	
3,17	Ø1350/Øe430	190	665	1"	2,51	5221000061013							✓	✓	✓	✓	✓						✓
4,54	Ø1350/Øe430	190	750	1"1/4	3,6	5221000061014							✓	✓	✓	✓	✓						✓
5,26	Ø1350/Øe430	190	850	1"1/4	4,14	5221000061009							✓	✓	✓	✓	✓						✓
6,34	Ø1350/Øe430	190	980	1"1/4	5,1	5221000061010							✓	✓	✓	✓	✓						✓

### FLANGE PLATE FOR D.H.W. STORAGE TANKS

**After choosing the heat exchanger according to the compatibility tables and to the needs of the installation, it is necessary to choose the flange plate of the corresponding diameter.**



Art. Nr.	Connection	Ø outer [mm]
5206000000001	1"	300
5206000000002	2"	380
5206000000003	2"	430

Includes 2 gaskets, bolts and insulated bushes.  
 Applicable only on stainless steel tube heat exchangers.

The Flange plate includes 2 sleeve collars for the connection to the operating system. This allows the circulation of the liquid within the heat exchanger's serpentine doing the real separation between the incoming liquid and the outgoing one. The flange plate is in mild steel. Blind flange for accumulation tank in Polywarm® available also with 1 connection. Including: gaskets, bolts and bushes

### FLANGE PLATE FOR VASI STORAGE (POLYWARM®)



Art. Nr.	Connection	Ø outer [mm]
52060000000051	1"1/2	300
52060000000054	1"1/2	380
52060000000056	1"1/2	430
52060000000053	2"	430

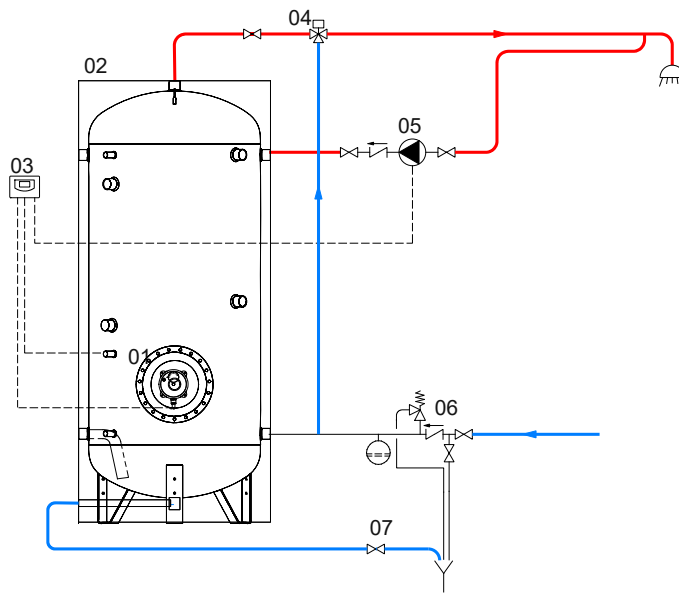
Includes 1 gasket and bolts  
 1 connection for electric immersion heater (applicable on Vaso storage only)



Art. Nr.	Ø outer [mm]
5206000000101	300
5206000000102	380
5206000000103	430

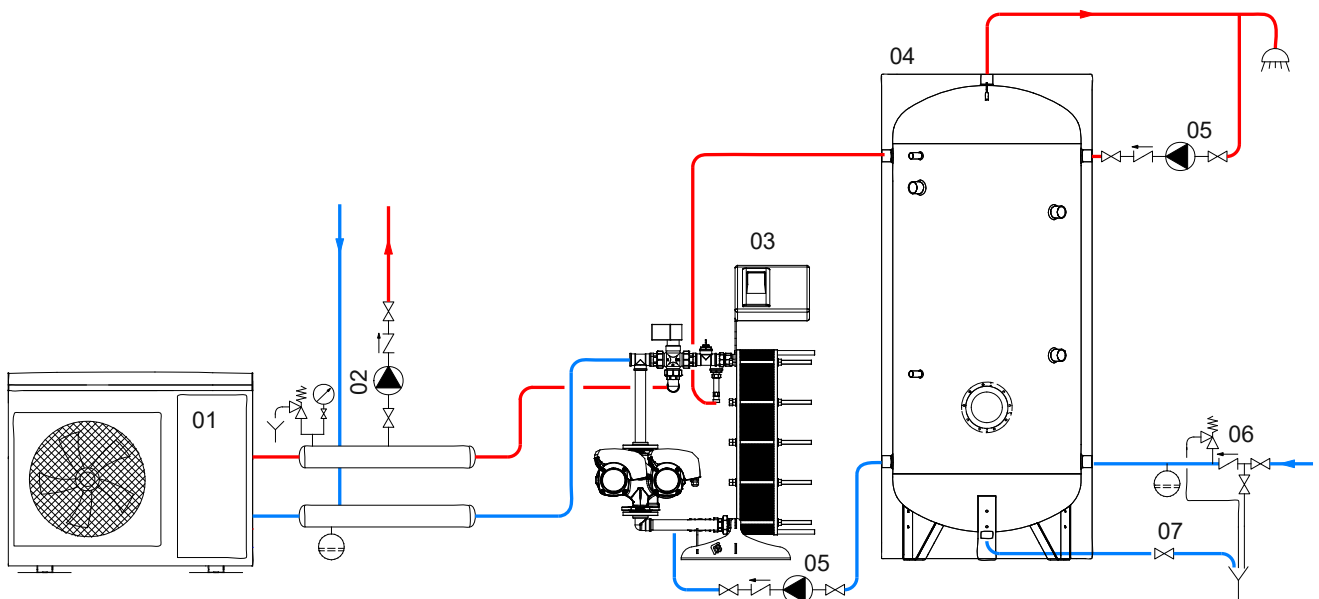
Includes 1 gasket and bolts  
 Blind flange available (available on storage tanks)

## EXAMPLE OF INSTALLATION WITH VASO INERZIALE A1



01	Electric immersion heater ad immersione	03	Electronic Control/thermostat	05	D.H.W. recirculation group	07	Blowdown valve
02	VASO INERZIALE A1	04	Thermostatic mixing valve	06	Hydraulic safety group		

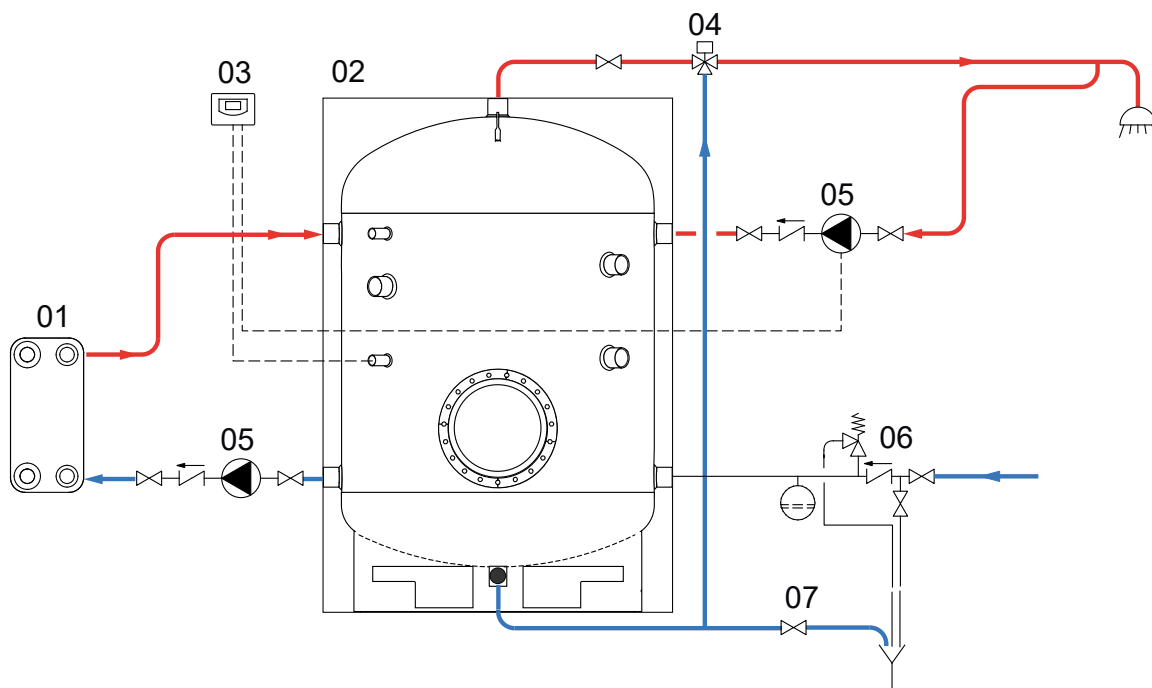
## EXAMPLE OF INSTALLATION WITH PRS MODULE - FOR DHW ACCUMULATION



01	Generator	04	VASO INERZIALE	07	Blowdown valve
02	Heating system circulation group	05	D.H.W. recirculation group		
03	PRS module	06	Hydraulic safety group		

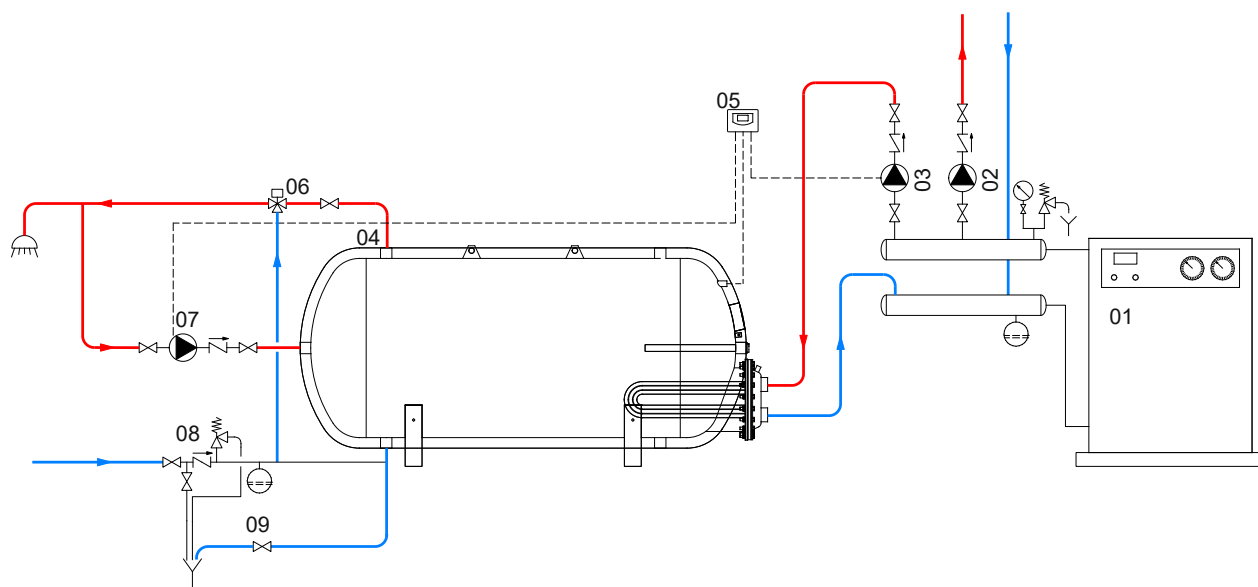
The following schemes are purely illustrative. To realize the installation, always refer to a qualified technician.

## EXAMPLE OF INSTALLATION WITH VASO STORAGE COMPACT



01	Generator / Plate heat exchanger	03	Electronic Control/thermostat	05	D.H.W. recirculation group	07	Blowdown valve
02	VASO STORAGE COMPACT	04	Thermostatic mixing valve	06	Hydraulic safety group		

## EXAMPLE OF INSTALLATION WITH EXTRA HORIZONTAL



01	Generator	04	EXTRA HORIZONTAL	07	D.H.W. recirculation group
02	Heating system circulation group	05	Electronic Control/thermostat	08	Hydraulic safety group
03	D.H.W. circulation group	06	Thermostatic mixing valve	09	Blowdown valve

The following schemes are purely illustrative. To realize the installation, always refer to a qualified technician.