

PRESSURE VESSEL GALVANIZED Z PED VT

CERTIFIED VERTICAL GALVANIZED PRESSURE VESSEL (DIRECTIVE 2014/68/UE)



PRESSURE	TEMPERATURE
Pmax	Tmax
[see table chart]	-10 / +50 °C



Model	AUTOCL. Z VT	Working Pressure [Bar]
	Art. Nr.	
100	3052171990001	8
200	3052171990022	
300	3052171990003	
500	3052171990004	
750	3052171990025	
1000	3052171990026	
1500	3051171990015	
2000	3051171990016	
2500	3051171990017	
3000	3051171990068	
4000	3051171990019	
5000 ø1450	3051171990020	
8000	3051172020021	
10000	3051172020022	

Models from 100 to 1000 are provided with safety valve and pressure gauge.

Model	AUTOCL. Z VT	Working Pressure [Bar]
	Art. Nr.	
100	3052171990015	11,76
200	3051171990074	
300	3051171990025	
500	3051171990026	
750	3051171990077	
1000	3051171990078	
1500	3051171990029	
2000	3051171990030	
2500	3051171990031	
3000	3051171990082	
4000	3051171990033	
5000 ø1450	3051171990035	
8000	3051172020018	
10000	3051172020019	

Models from 100 and 500 are provided with safety valve and pressure gauge.

Model	AUTOCL. Z VT WITH MANHOLE	Working Pressure [Bar]
	Art. Nr.	
5000 ø1600	3051172020007	8
8000	3051172020011	
10000	3051172020012	

Model	AUTOCL. Z VT WITH MANHOLE	Working Pressure [Bar]
	Art. Nr.	
4000	3051172020008	12
5000 ø1450	3051172020004	
8000	3051172020013	
10000	3051172020014	

APPLICATION E TECHNICAL DESCRIPTION

Air cushion pressure vessels. Suitable to supply water to the highest floors of the buildings and to compensate the water shortage of the water-works. The air cushion pressure vessels Z PED VT are made for water pumping and they work as a pressured water lung that, if correctly dimensioned, can limit the self-starting of the pump.

These products are made in galvanized mild steel.

ANTI-CORROSION TREATMENT

These tanks are galvanized inside and outside, with immersion in a pool of fused zinc with purity not below than 99,99% (Uni EN 1179)

DOCUMENTS ATTACHED

- CE certification
- User Instructions

CERTIFICATIONS

The Z PED VT pressure vessels are made according to the security policy of the standard 2014/68/UE that rules the pressurized products. Under surveillance of the Notified Body, a CE mark is stuck on them as well as the following project data that characterize the product:

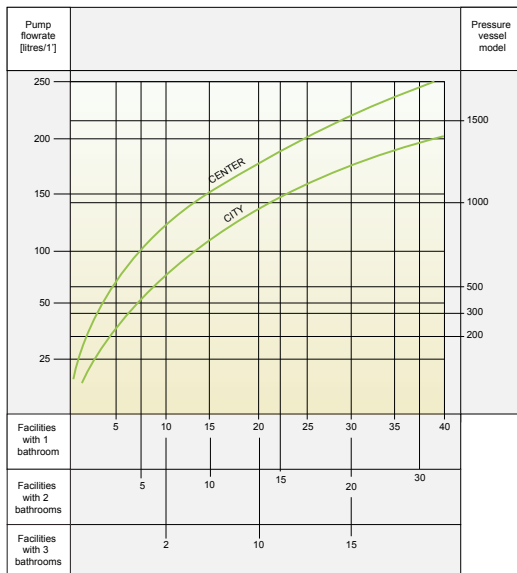
- Pressurized fluid: water + air or nitrogen
- Fluid group: 2
- Max operating pressure: see the table chart
- Temperature: -10/+50 °C

INSULATION (on request)

Closed cell anti-condensation polyethylene foam glued to the body of the tank (not removable). Non self-extinguishing version, thickness 20 mm.

WARRANTY

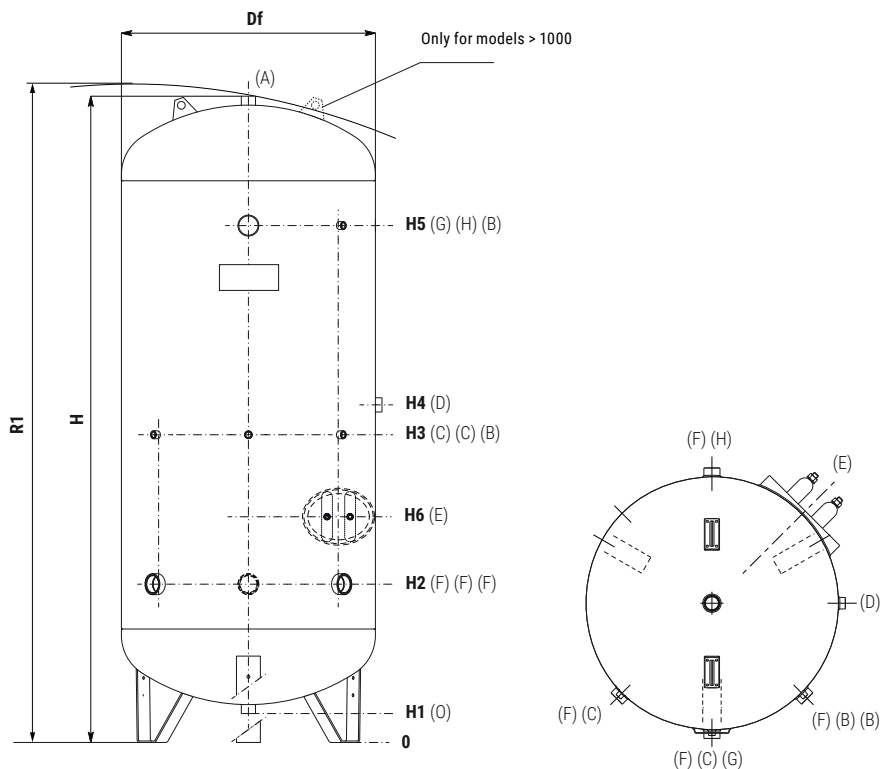
2 years-See general sales conditions and warranty.



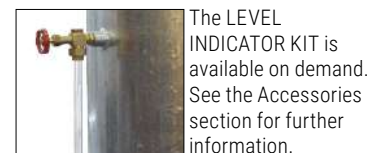
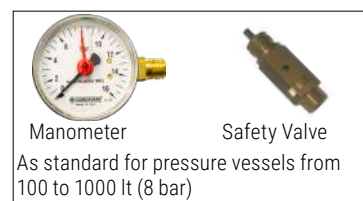
To quickly determine both the capacity of the pressure vessel and the pump according to the number of the flats, you can use the following chart (always valid for 15 self-starting per hour).

PRESSURE VESSEL GALVANIZED Z PED VT

CERTIFIED VERTICAL GALVANIZED PRESSURE VESSEL (DIRECTIVE 2014/68/UE)



A	Safety Valve
B	Visual level indicator
C	Instrumentation
D	Level switch - Pressure switch
E	Manhole (only on models > 4000)
F	Input - use
G	Instrumentation 2" (only on models > 5000)
H	Level switch - Pressure switch (only on models > 3000)
O	Drain



Model	Df	De*	H	R1	H1	H2	H3	H4	H5	H6	O-A	F	H	B-C	D	G	
	[mm]										Connections F						
WORKING PRESSURE 8 bar	100	400	440	1055	1065	90	350	500	600	800	-	1"1/4	1"	-	1/2"	1"1/4	-
	200	450	490	1420	1435	85	355	655	755	1155	-	1"1/4	1"	-	1/2"	1"1/4	-
	300	550	590	1530	1555	140	435	735	835	1235	-	1"1/4	1"1/4	-	1/2"	1"1/4	-
	500	650	690	1825	1840	135	455	855	955	1505	-	1"1/4	1"1/2	-	1/2"	1"1/4	-
	750	790	830	1865	1880	110	510	960	1060	1460	-	1"1/4	1"1/2	-	1/2"	1"1/4	-
	1000	790	830	2380	2395	110	510	1010	1110	1960	-	1"1/4	1"1/2	-	1/2"	1"1/4	-
	1500	950	990	2470	2490	110	570	1070	1170	2020	-	2"	2"	-	1/2"	1"1/4	-
	2000	1100	1140	2535	2560	100	595	1095	1195	2045	-	2"	2"	-	1/2"	1"1/4	-
	2500	1200	1240	2660	2690	140	680	1280	1380	2130	-	2"	3"	-	1/2"	1"1/4	-
	3000	1200	1240	3000	3075	135	700	1300	1400	2400	-	2"	3"	-	1/2"	2"	-
	4000	1450	1490	3000	3030	115	710	1310	1410	2410	-	2"	3"	2"	1/2"	2"	-
	5000	1450	1490	3500	3525	115	710	1610	1710	2910	-	2"	3"	2"	1/2"	2"	-
5000	1600	1640	3050	3090	100	725	1325	1425	2425	1025	2"	3"	2"	1/2"	2"	-	
8000	1650	1690	4205	4270	200	905	1905	2033	3506	1155	2"	4"	2"	1/2"	2"	2"	
10000	1650	1690	5205	5270	200	905	2255	2478	4506	1155	2"	4"	2"	1/2"	2"	2"	

Models from 100 to 1000 are provided with security valve and pressure gauge. 5000 lt (Ø 1600) included with manhole.

(*De = diameter with insulation on request)

Model	Df	De*	H	R1	H1	H2	H3	H4	H5	H6	O-A	F	H	B-C	D	G	
	[mm]										Connections F						
WORKING PRESSURE 11,76 bar	100	400	440	1055	1065	90	350	500	600	800	-	1"1/4	1"	-	1/2"	1"1/4	-
	200	450	490	1420	1435	85	355	655	755	1155	-	1"1/4	1"	-	1/2"	1"1/4	-
	300	550	590	1530	1555	140	435	735	835	1235	-	1"1/4	1"1/4	-	1/2"	1"1/4	-
	500	650	690	1825	1840	135	455	855	955	1505	-	1"1/4	1"1/2	-	1/2"	1"1/4	-
	750	790	830	1865	1880	110	510	960	1060	1460	-	1"1/4	1"1/2	-	1/2"	1"1/4	-
	1000	790	830	2380	2395	110	510	1010	1110	1960	-	1"1/4	1"1/2	-	1/2"	1"1/4	-
	1500	950	990	2470	2490	110	570	1070	1170	2020	-	2"	2"	-	1/2"	1"1/4	-
	2000	1100	1140	2535	2560	100	595	1095	1195	2045	-	2"	2"	-	1/2"	1"1/4	-
	2500	1200	1240	2660	2690	140	680	1280	1380	2130	-	2"	3"	-	1/2"	1"1/4	-
	3000	1200	1240	3000	3075	135	700	1300	1400	2400	-	2"	3"	-	1/2"	2"	-
	4000	1450	1490	3000	3030	115	710	1310	1410	2410	1010	2"	3"	2"	1/2"	2"	-
	5000	1450	1490	3500	3525	115	710	1610	1710	2910	1010	2"	3"	2"	1/2"	2"	-
8000	1650	1690	4205	4270	200	905	1905	2033	3506	1155	2"	4"	2"	1/2"	2"	2"	
10000	1650	1690	5205	5270	200	905	2255	2478	4506	1155	2"	4"	2"	1/2"	2"	2"	

Models from 100 to 500 are provided with security valve and pressure gauge.

(*De = diameter with insulation on request)