

# PIASTRATERM® SLB

POLYWARM® COATED DOMESTIC HOT WATER ACCUMULATION TANK WITH STAINLESS STEEL BRAZED PLATE HEAT EXCHANGER



### APPLICATION

Production and storage of domestic hot water (DHW).

### MATERIAL

Mild steel Polywarm® coated (Attestation ACS - SSICA - EN 16421 - WRAS).

### HEAT EXCHANGER:

SLB brazed plate exchanger in stainless steel 316L, insulated, supplied not mounted on the tank.

### INSULATION

**Models 200 ÷ 500 (HARD FOAM):** High thermal insulation with ecological polyurethane hard foam.

**Models 800 ÷ 2000 (Dismountable soft):** NOFIRE® polyester fleece 100% made of recyclable material, with high thermal insulation. Fire resistance class B-s2d0 according to EN 13501. Grey PVC external lining.

### CATHODE PROTECTION

Magnesium anode. Models > 1500 n° 2 magnesium anodes.

### DRAIN

External confluence through drain connection. Models > 1000 external confluence through drain pipe.

### GASKET- FLANGE PLATE

Silicone gaskets suitable for water intended for human consumption (tested according to 98/83/CE); max temperature up to 200°C. Mild steel inspection flange plate Polywarm® coated and connection for electric immersion heater (for models > 1000).

### WARRANTY

5 years (See general sales conditions and warranty)

### ACCESSORIES AND SPARE PARTS

See Accessories section for the entire list.

### CIRCULATOR INCLUDED IN THE PRICE



## PIASTRATERM® SLB WB - WC

ENERGY EFFICIENCY CLASS

INSULATION	Model	Art. Nr.	(WB) HARD FOAM: <b>200 ÷ 300</b> - (WC) Dismountable soft fleece: <b>500 ÷ 2000</b>					ErP
			NR. OF PLATES ( <i>model SLB30</i> )					
			14	20	30	40	50	
HARD FOAM	<b>200</b>	Art. Nr.	3170161722201					<b>B</b>
	<b>300</b>	Art. Nr.	3170161722211	3170161722212				<b>C</b>
DISMOUNTABLE SOFT FLEECE	<b>500</b>	Art. Nr.	3170161722221	3170161722222	3170161722223	3170161722224	3170161722225	<b>C</b>
	<b>800</b>	Art. Nr.		3170161722232	3170161722233	3170161722234	3170161722235	<b>C</b>
	<b>1000</b>	Art. Nr.			3170161722243	3170161722244	3170161722245	<b>C</b>
	<b>1500</b>	Art. Nr.				3170161722254	3170161722255	<b>C</b>
	<b>2000</b>	Art. Nr.					3170161722265	<b>C</b>
	[°C]	Output KW	38	72	120	150	200	
	80 10/45	DHW lt./h	887	1680	2801	3501	4668	
	[°C]	Output KW	21	42	74	95	129	
	65 10/45	DHW lt./h	483	972	1722	2228	3019	

## ACCESSORIES

### ELECTRIC IMMERSION HEATERS



Mod. Heated volume by electric immersion heater [l]

<b>200</b>	49
<b>300</b>	76
<b>500</b>	127
<b>800</b>	178
<b>1000</b>	243
<b>1500</b>	288
<b>2000</b>	443

MONOPHASE			
1,5 kW	2 kW	3 kW	
52400000000051	52400000000052	52400000000053	
Ignition time from 10 °C to 45 °C with electric immersion heaters [min]			
87	65	44	
136	102	68	
228	171	114	
318	239	159	
436	327	218	
516	387	258	
793	595	396	

THREEPHASE				
4 kW	5 kW	6 kW	9 kW	12 kW
52400000000047	52400000000048	52400000000049	52400000000050	52400000000031
Ignition time from 10 °C to 45 °C with electric immersion heaters [min]				
33	//	//	//	//
51	//	//	//	//
85	68	57	//	//
120	96	80	//	//
163	131	109	73	54
194	155	129	86	65
297	238	198	132	99

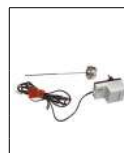
### Thermometer

Art. Nr.
5032240000107
5 units box



### Titanium anode

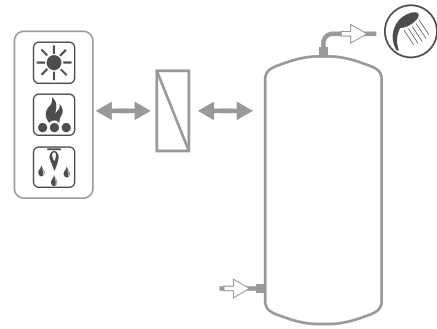
Art. Nr.	Model
52000000000008	200, 300
52000000000009	500, 800
52000000000011	1000, 1500
52000000000013	2000



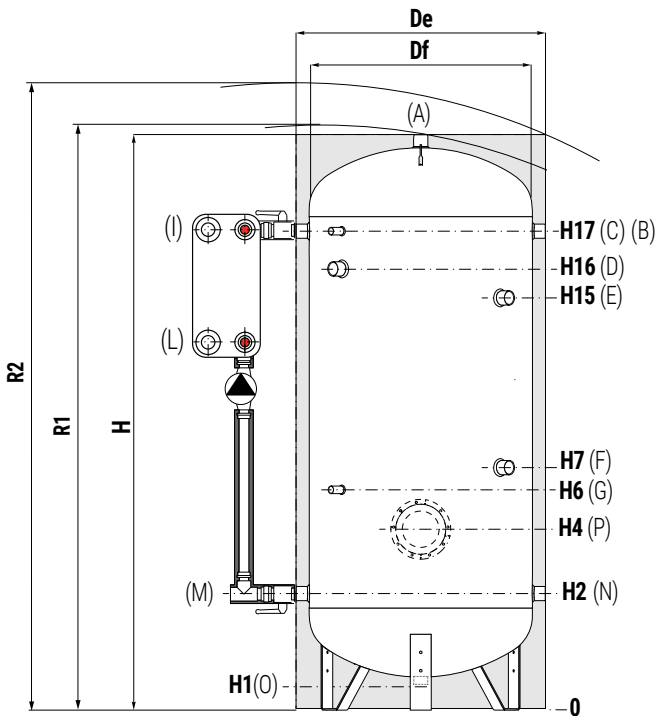
# PIASTRATERM® SLB

POLYWARM® COATED DOMESTIC HOT WATER ACCUMULATION TANK  
WITH STAINLESS STEEL BRAZED PLATE HEAT EXCHANGER

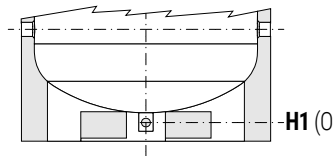
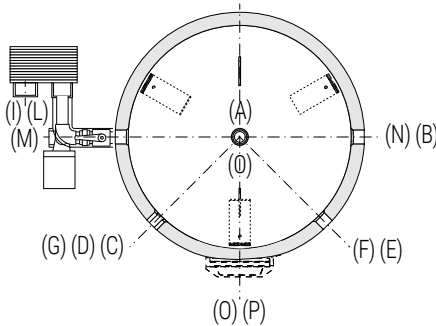
Model	STORAGE		HEAT EXCHANGER		D.H.W. HARDNESS
	Pmax	Tmax	Pmax	Tmax	F max
200 ÷ 1000	8 bar	90 °C	10 bar	99 °C	30 °f
1500 ÷ 2000	6 bar				



See TECHNICAL SUPPORT chapter for example of installation



<b>A</b>	Domestic hot water outlet
<b>B</b>	Recirculation / Domestic hot water outlet
<b>C</b>	Connection for instrumentation 1/2" G F
<b>D</b>	Connection for electric immersion heater
<b>E</b>	Connection for 2nd magnesium anode 1 1/4 G F (only for models > 1500)
<b>F</b>	Connection for magnesium anode 1" 1/4 G F
<b>G</b>	Connection for instrumentation 1/2" G F
<b>I</b>	Primary circuit inlet 1" 1/4 G F
<b>L</b>	Primary circuit outlet 1" 1/4 G F
<b>M</b>	Domestic cold water circuit inlet
<b>N</b>	Alternative domestic cold water circuit inlet or connection for more tanks
<b>O</b>	Drain 1" 1/4 F. For model 1000 Connection 1" 1/2 G F
<b>P</b>	Flange (only for models > 1000)



Models from 1500 to 2000 are equipped with a practical skirt support which facilitate the handling with transpallets and forklifts. Also, discharge piping already mounted to allow total emptying.

Model	Volume [lt]	De	DF	H	R1	R2	H1	H2	H4	H6	H7	H15	H16	H17	P	A	BM	D
		[mm]														Connections F		
<b>200</b>	192	550	//	1449	//	1560	85	325	//	520	650	//	1075	1185	//	1"1/4	1"1/4	1"1/2
<b>300</b>	293	650	//	1499	//	1640	85	350	//	545	735	//	1100	1210	//	1"1/4	1"1/4	1"1/2
<b>500</b>	501	870	650	1891	1998	2090	101	416	//	611	801	//	1370	1526	//	1"1/4	1"1/4	1"1/2
<b>800</b>	792	970	750	2188	2220	2400	113	433	//	628	898	//	1638	1793	//	1"1/4	1"1/4	1"1/2
<b>1000</b>	1041	1070	850	2242	2270	2490	101	454	//	649	989	//	1660	1814	//	1"1/2	1"1/2	2"
<b>1500</b>	1443	1210	950	2440	2495	2730	109	440	525	635	1075	//	1895	2050	Øi170/Øe240	2"	1"1/2	2"
<b>2000</b>	1975	1360	1100	2492	2570	2850	91	467	542	652	842	1952	1877	2057	Øi170/Øe240	2"	2"	2"