

EXTRA 1 STEAM

POLYWARM® COATED CALORIFIERS WITH 1 EXTRACTABLE STAINLESS STEEL HEAT EXCHANGER FOR STEAM GENERATOR



APPLICATION

Production and storage of domestic hot water. Suitable for steam generators.

MATERIAL

Mild steel Polywarm® coated (Attestation ACS - SSICA - EN 16421 - WRAS).

HEAT EXCHANGER:

Stainless steel 316L straight heat exchanger suitable for steam power (P.E.D. directive compliant).

INSULATION

- HARD: High thermal insulation with ecological polyurethane hard foam.

- SOFT: NOFIRE® polyester fleece 100% made of recyclable material, with high thermal insulation. Fire resistance class B-s2d0 according to EN 13501.

Grey PVC external lining.

CATHODE PROTECTION

Magnesium anode. Models > 1500 n° 2 magnesium anodes.

DRAIN

External confluence through drain connection. Models > 1000 external confluence through drain pipe.

GASKET- FLANGE PLATE

Asbestos-free fiber gaskets.

Mild steel exchanger head with anticorrosion treatment.

WARRANTY

5 years (See general sales conditions and warranty)

ACCESSORIES AND SPARE PARTS

See Accessories section for the entire list



POLYWARM®
COATED
DHW STORAGE



316L
STAINLESS STEEL
HEAT EXCHANGER



EXTRA 1 VAPORE WXB

Model	HARD FOAM INSULATION Art. Nr.	316L STAINLESS STEEL HEAT EXCHANGERS SURFACE [m²]	ENERGY EFFICIENCY CLASS
800	3069162360124	1,5	B
1000	3069162360125	2	C
1500	3069162360126	3	C
2000	3069162360127	3	B



EXTRA 1 VAPORE WXC

Model	DISMOUNTABLE SOFT FLEECE INSULATION Art. Nr.	316L STAINLESS STEEL HEAT EXCHANGERS SURFACE [m²]	ENERGY EFFICIENCY CLASS
800	3069162360134	1,5	C
1000	3069162360135	2	C
1500	3069162360136	3	C
2000	3069162360137	3	C
2500	3069162360111	3	
3000	3069162360108	3	
4000	3069162360109	4	
5000	3069162360110	5	

HEAT EXCHANGERS FOR STEAM GENERATOR TECHNICAL DATA

Heat exchangers performance calculated with primary circuit at **6 bar** saturated steam and production of DHW from 10° to 45°C

Heat exchangers performance calculated with primary circuit at **3 bar** saturated steam and production of DHW from 10° to 45°C

Model	PED	Heat exchangers performance calculated with primary circuit at 6 bar saturated steam and production of DHW from 10° to 45°C				Heat exchangers performance calculated with primary circuit at 3 bar saturated steam and production of DHW from 10° to 45°C			
		Output	DHW production		Ignition time	Output	DHW production		Ignition time
		[KW]	[l/h]	[l/10']	[min]	[KW]	[l/h]	[l/10']	[min]
500	Art. 4.3	141	3464	1189	9	114	2793	1077	11
800	Cat. I	212	5196	1869	9	171	4189	1701	12
1000	Cat. I	282	6928	2463	9	227	5585	2239	11
1500	Cat. I	423	10393	3554	9	341	8378	3218	11
2000	Cat. I	423	10393	4228	12	341	8378	3892	15
2500	Cat. I	423	10393	4571	13	341	8378	4235	17
3000	Cat. I	423	10393	5438	17	341	8378	5102	22
4000	Cat. I	564	13857	7031	17	455	11171	6583	21
5000	Cat. I	705	17321	9097	17	568	13963	8537	22

ACCESSORIES

HEAT MANAGER + electric immersion heater 1,5 kW + probe +3m cable

Art. Nr.	ELECTRIC IMMERSION HEATER
5240000000074	1,5 kW
5240000000075	2 kW
5240000000076	3 kW

See Accessories section

Titanium anode

See Accessories section

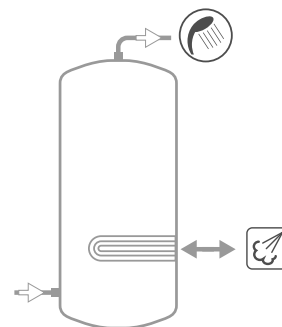
Thermometer

Art. Nr.	
5032240000107	
5 units box	

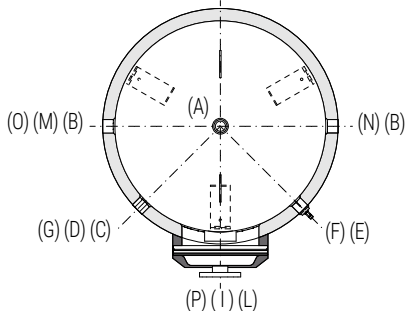
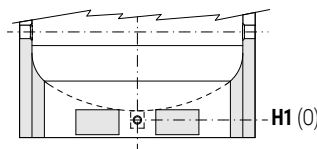
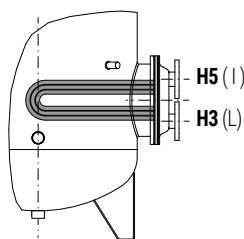
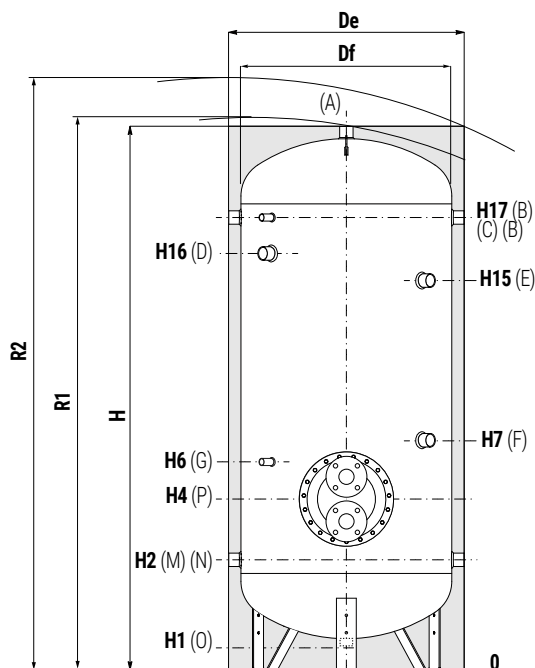
EXTRA 1 STEAM

POLYWARM® COATED CALORIFIERS WITH 1 EXTRACTABLE STAINLESS STEEL HEAT EXCHANGER FOR STEAM GENERATOR

Model	STORAGE		HEAT EXCHANGER	
	Pmax	Tmax	Pmax	Tmax
500 ÷ 1000	8 bar	90 °C	6 bar	165 °C
1500 ÷ 5000	6 bar			



See TECHNICAL SUPPORT chapter for example of installation



A	Domestic hot water outlet
B	Recirculation / Domestic hot water outlet
C	Connection for instrumentation 1/2" F
D	Connection for electric immersion heater 1" 1/2 F For models > 800 connection 2" F
E	Connection for 2nd magnesium anode 1" 1/4 F (only for models > 1000)
F	Connection for magnesium anode 1" 1/4 F
G	Connection for instrumentation 1/2" F
I	Steam circuit inlet
L	Outlet for condense
M	Domestic cold water circuit inlet
N	Alternative domestic cold water circuit inlet or connection for more tanks
O	Drain
P	Heat exchanger flange

Models from 1500 to 5000 are equipped with a practical **skirt** support which facilitate the handling with transpallets and forklifts. Also, discharge piping already mounted to allow **total emptying**.

EXTRA 1 VAPORE WXB - HARD FOAM INSULATION

Model	Vol. [lt]	Weight [kg]	De	H	R2	H1	H2	H3	H4	H5	H6	H7	H15	H16	H17	P	B-N M	I-L	A	O	
																					[mm]
500	500	99	750	1800	1960	85	375	410	460	510	570	760	//	1329	1485	Øi220/Øe300		1"1/4	DN25 PN16	1"1/4	1"1/4
800	794	161	900	2135	2330	85	405	450	540	630	690	870	//	1610	1765	Øi300/Øe380		1"1/4	DN50 PN16	1"1/4	1"1/4
1000	1042	204	1000	2221	2450	105	458	503	593	683	743	993	//	1664	1818	Øi300/Øe380		1"1/4	DN50 PN16	1"1/2	1"1/2
1500	1445	250	1100	2415	2660	109	440	485	575	665	725	1075	//	1895	2050	Øi300/Øe380		1"1/2	DN50 PN16	1"1/2	1"
2000	1977	288	1300	2492	2820	91	467	602	692	782	867	842	1952	1877	2057	Øi300/Øe380		2"	DN50 PN16	2"	1"

EXTRA 1 VAPORE WXC - DISMOUNTABLE SOFT FLEECE INSULATION

Model	Vol. [lt]	Weight [kg]	De	Df	H	R1	R2	H1	H2	H3	H4	H5	H6	H7	H15	H16	H17	P	B-N M	I-L	A	O	
																							[mm]
500	500	90	870	650	1891	1870	2090	126	416	451	501	551	611	801	//	1370	1526	Øi220/Øe300		1"1/4	DN25 PN16	1"1/4	1"1/4
800	794	161	970	750	2188	2220	2400	113	433	478	568	658	718	898	//	1638	1793	Øi300/Øe380		1"1/4	DN50 PN16	1"1/4	1"1/4
1000	1042	204	1070	850	2242	2270	2490	101	454	499	589	679	739	989	//	1660	1814	Øi300/Øe380		1"1/4	DN50 PN16	1"1/4	1"1/2
1500	1445	250	1210	950	2440	2495	2730	109	440	485	575	665	725	1075	//	1895	2050	Øi300/Øe380		1"1/4	DN50 PN16	1"1/2	1"
2000	1977	288	1360	1100	2492	2570	2850	91	467	602	692	782	867	842	1952	1877	2057	Øi350/Øe430		1"1/2	DN50 PN16	1"1/2	1"
2500	2312	331	1350	1250	2311	2480	2690	140	551	686	776	866	951	976	1816	1732	1891	Øi350/Øe430		2"	DN50 PN16	2"	1"
3000	2918	377	1350	1250	2811	2950	3130	140	551	686	776	866	951	1036	2316	2232	2391	Øi350/Øe430		2"	DN50 PN16	2"	1"
4000	3769	530	1500	1400	2875	3050	3250	114	570	690	795	900	970	1035	2315	2238	2410	Øi350/Øe430		2"	DN50 PN16	2"	1"
5000	4982	663	1700	1600	2915	3130	3380	94	580	700	805	910	980	1035	2335	2265	2420	Øi350/Øe430		2"	DN50 PN16	2"	1"