

EXTRA 1 INOX STEAM

STAINLESS STEEL 316L CALORIFIER WITH 1 EXTRACTABLE STAINLESS STEEL HEAT EXCHANGERS SPECIFIC FOR STEAM GENERATORS



APPLICATION

Production and storage of domestic hot water (DHW). Suitable for steam generators.

MATERIAL

Stainless Steel 316 L suitable for domestic hot water

HEAT EXCHANGER:

Stainless steel 316L straight heat exchanger suitable for steam power (P.E.D. directive compliant).

INSULATION

- HARD: High thermal insulation with ecological polyurethane hard foam.

- SOFT: NOFIRE® polyester fleece 100% made of recyclable material, with high thermal insulation. Fire resistance class B-s2d0 according to EN 13501. Grey PVC external lining.

CATHODE PROTECTION

Magnesium anode. Models > 1500 n° 2 magnesium anodes.

DRAIN

External confluence through drain connection

GASKET- FLANGE PLATE

Asbestos-free fiber gaskets.

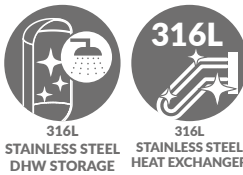
Mild steel exchanger head with anticorrosion treatment.

WARRANTY

5 years (See general sales conditions and warranty)

ACCESSORIES AND SPARE PARTS

See Accessories section for the entire list



EXTRA 1 VAPORE XXB

Model	HARD FOAM INSULATION Art. Nr.	HEAT EXCHANGER SURFACE INOX 316L	ENERGY EFFICIENCY CLASS
		[m ²]	
500	3069052300123	1	C



EXTRA 1 VAPORE XXC

Model	DISMOUNTABLE SOFT FLEECE INSULATION Art. Nr.	HEAT EXCHANGER SURFACE INOX 316L	ENERGY EFFICIENCY CLASS
		[m ²]	
800	3069052300134	1,5	C
1000	3069052300139	2	C
1300	3069052300136	3	C
1500	3069052300137	3	C
2000	3069052300138	3	C
2500	3069052300109	3	
3000	3069052300111	3	
4000	3069052300113	4	
5000	3069052300115	5	

Heat exchangers for steam generator technical data

Heat exchangers performance calculated with primary circuit at 6 bar saturated steam and production of DHW from 10° to 45°C

Heat exchangers performance calculated with primary circuit at 3 bar saturated steam and production of DHW from 10° to 45°C

Model	PED	6 bar saturated steam				3 bar saturated steam			
		Output	DHW production		Ignition time	Output	DHW production		Ignition time
		[KW]	[l/h]	[l/10']	[min]	[KW]	[l/h]	[l/10']	[min]
500	Art. 4.3	141	3464	1189	9	114	2793	1077	11
800	Cat. I	212	5196	1869	9	171	4189	1701	12
1000	Cat. I	282	6928	2463	9	227	5585	2239	11
1300	Cat. I	423	10393	3340	7	341	8378	3030	9
1500	Cat. I	423	10393	3554	9	341	8378	3218	11
2000	Cat. I	423	10393	4228	12	341	8378	3892	15
2500	Cat. I	423	10393	4571	13	341	8378	4235	17
3000	Cat. I	423	10393	5438	17	341	8378	5102	22
4000	Cat. I	564	13857	7031	17	455	11171	6583	21
5000	Cat. I	705	17321	9097	17	568	13963	8537	22

ACCESSORIES

Titanium anode (for stainless steel calorifiers)

See Accessories section



Thermometer

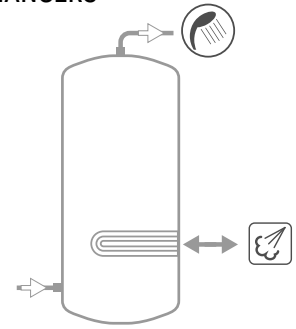
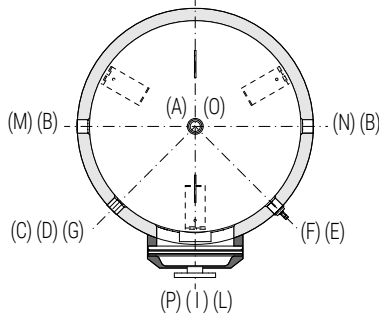
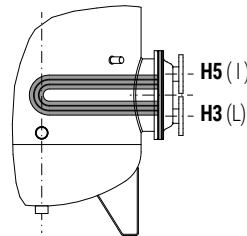
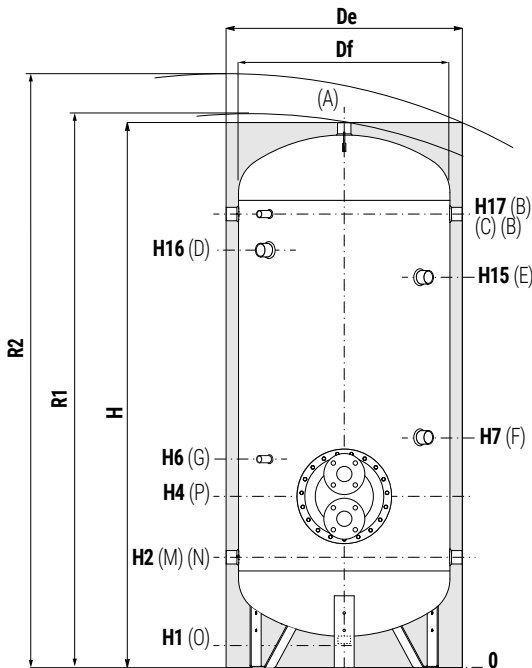
Art. Nr.
5032240000107
5 units box



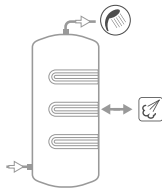
EXTRA 1 INOX STEAM

STAINLESS STEEL 316L CALORIFIER WITH 1 EXTRACTABLE STAINLESS STEEL HEAT EXCHANGERS SPECIFIC FOR STEAM GENERATORS

STORAGE		HEAT EXCHANGER	
Pmax	Tmax	Pmax	Tmax
6 bar	95 °C	6 bar	165 °C



- A** Domestic hot water outlet
- B** Recirculation / Domestic hot water outlet
- C** Connection for instrumentation 1/2" G F
- D** Connection for electric immersion heater
- E** Connection for 2nd magnesium anode/Titanium anode 1" 1/4 G F (only for models > 1500)
- F** Connection for magnesium anode/Titanium anode 1" 1/4 G F
- G** Connection for instrumentation 1/2" G F
- I** Steam circuit inlet DN50 PN16
- L** Outlet for condense DN50 PN16
- M** Domestic cold water circuit inlet
- N** Alternative domestic cold water circuit inlet or connection for more tanks
- O** Drain
- P** Flange



Models with 2 or 3 heat exchangers are available on request

Model	Volume [lt]	Weight [kg]	Df	De	De (vers. XXB)	H	R1	R2	H1	H2	H3	H4
			(vers. XXC)	(vers. XXC)								
			[mm]		[mm]							
500	504	99	//	//	750	1861	2006	2010	141	426	421	511
800	762	139	790	1010	//	1893	2008	2190	113	428	473	563
1000	905	161	790	1010	//	2212	2270	2440	112	437	482	572
1300	1277	204	950	1210	//	2193	2275	2510	118	433	478	568
1500	1403	209	1000	1260	//	2177	2266	2520	112	447	592	682
2000	2024	333	1250	1510	//	2099	2231	2590	134	529	664	754
2500	2320	398	1250	1350	//	2299	2396	2670	134	529	664	754
3000	2925	466	1250	1350	//	2799	2879	3110	134	529	664	754
4000	3776	570	1400	1500	//	2872	2968	3250	117	557	737	842
5000	4995	741	1600	1700	//	2909	3031	3370	94	564	639	789

Model	H5	H6	H7	H15	H16	H17	P	A	O	B	M	N	D
500	601	621	811	//	1380	1536	Øi220/Øe300	1"1/4	3/4"	1"1/4	1"1/2	1"1/2	1"1/2
800	653	713	863	//	1382	1538	Øi300/Øe380	1"1/2	3/4"	1"1/4	1"1/2	2"	2"
1000	662	722	922	//	1642	1797	Øi300/Øe380	1"1/2	3/4"	1"1/2	2"	2"	2"
1300	658	718	918	//	1638	1793	Øi300/Øe380	2"	1"	1"1/2	2"	2"	2"
1500	772	832	982	//	1602	1757	Øi300/Øe380	2"	1"	1"1/2	2"	2"	2"
2000	844	904	1004	1524	1473	1629	Øi300/Øe380	2"	1"	2"	2"	2"	2"
2500	844	904	954	1794	1710	1879	Øi300/Øe380	2"	1"	2"	2"	2"	2"
3000	844	904	1014	2294	2210	2369	Øi300/Øe380	2"	1"	2"	2"	2"	2"
4000	992	1017	1022	2302	2225	2397	Øi350/Øe430	2"	1"	2"	2"	2"	2"
5000	939	964	1019	2319	2159	2404	Øi350/Øe430	2"	1"	2"	2"	2"	2"

P.E.D. product designed and produced in conformity to the article 4.3 of directive 2014/68/UE - ErP Ecodesign directive 2009/125/CE