

# EXTRA 1 HORIZONTAL

POLYWARM® COATED CALORIFIERS WITH 1 EXTRACTABLE STAINLESS STEEL HEAT EXCHANGER



## APPLICATION

Production and storage of domestic hot water (DHW).

## MATERIAL

Mild steel Polywarm® coated (Attestation ACS - SSICA - EN 16421 - WRAS).

## HEAT EXCHANGER:

Stainless steel 316L heat exchanger.

## INSULATION (DISMOUNTABLE)

NOFIRE® polyester fleece 100% made of recyclable material, with high thermal insulation. Fire resistance class B-s2d0 according to EN 13501.

Grey PVC external lining.

## CATHODE PROTECTION

Magnesium anode. Models > 1500 n° 2 magnesium anodes.

## GASKET- FLANGE PLATE

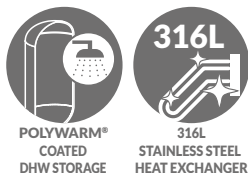
Silicone gaskets suitable for water intended for human consumption (tested according to 98/83/CE), max temperature up to 200°C. Mild steel exchanger head with anticorrosion treatment.

## WARRANTY

5 years (See general sales conditions and warranty)

## ACCESSORIES AND SPARE PARTS

See Accessories section for the entire list.



## EXTRA 1 WXC OR

DISMOUNTABLE SOFT FLEECE INSULATION

316L STAINLESS STEEL HEAT EXCHANGERS SURFACE

ENERGY EFFICIENCY CLASS



Model	Art. Nr.	[m²]	ErP
<b>200</b>	3072161430031	0,5	<b>C</b>
<b>300</b>	3072161430032	0,75	<b>C</b>
<b>500</b>	3072161430033	1	<b>C</b>
<b>800</b>	3072161430034	1,5	<b>C</b>
<b>1000</b>	3072161430035	2	<b>C</b>
<b>1500</b>	3072161430036	3	<b>C</b>
<b>2000</b>	3072161430037	4	<b>C</b>
<b>3000</b>	3072161430008	5	
<b>4000</b>	3072161430009	8	
<b>5000</b>	3072161430011	10	



Data have been calculated on following basis: Primary circuit at 80 °C, and proper energy source; Production of DHW in continue way from 10 °C to 45 °C; DHW that can be taken in the first 10' and in the first hour from storage at 60°C, input 10°C and output 45°C; Sanitary water according to UNI CTI 8065. Even if tanks are tested to resist till max temperature, the local legislation has always to be observed during the use.

Model	Ignition Time [min]	Output [Kw]	Continous production of DHW [lt/h]	DHW produced in the first		Primary flow rate [m³/h]	Exchanger pressure drop	
				10 Min. [lt/10']	DHW produced in the first hour [lt/60']		[mmH₂O]	[mbar]
<b>200</b>	49	18	455	347	635	2	309	30,3
<b>300</b>	48	28	701	524	968	3	372	36,5
<b>500</b>	60	38	947	844	1443	4	419	41,1
<b>800</b>	59	59	1466	1301	2230	6	718	70,4
<b>1000</b>	54	86	2127	1776	3123	10	1380	135,3
<b>1500</b>	53	133	3290	2677	4761	15	2295	225,1
<b>2000</b>	52	180	4453	3564	6384	20	2996	293,8
<b>3000</b>	65	216	5361	5144	8539	20	2436	238,9
<b>4000</b>	57	330	8168	6918	12092	20	3896	382,1
<b>5000</b>	60	401	9921	8639	14923	20	4707	461,6

## ACCESSORIES

### HEAT MANAGER + electric immersion heater 1,5 kW + probe +3m cable

Art. Nr.	ELECTRIC IMMERSION HEATER
5240000000074	1,5 kW
5240000000075	2 kW
5240000000076	3 kW

See Accessories section

### Titanium anode

See Accessories section
-------------------------

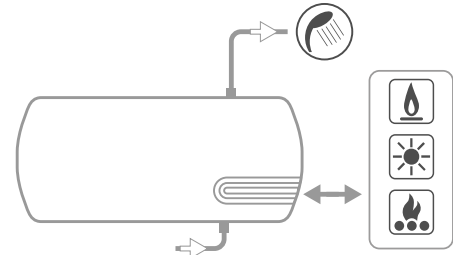
### Thermometer

Art. Nr.	
5032240000107	
5 units box	

# EXTRA 1 HORIZONTAL

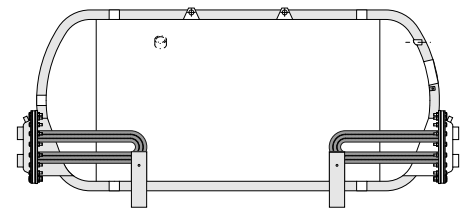
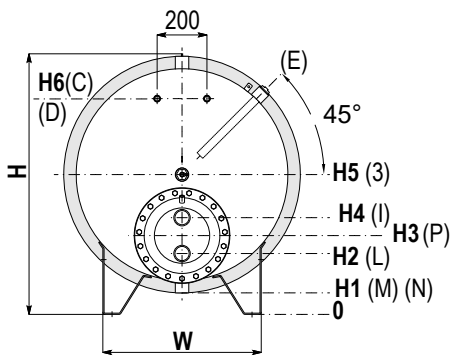
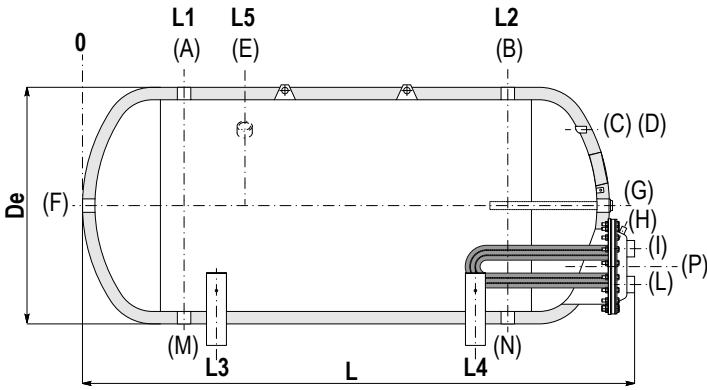
POLYWARM® COATED CALORIFIERS WITH 1 EXTRACTABLE STAINLESS STEEL HEAT EXCHANGER

STORAGE		HEAT EXCHANGER	
P <sub>max</sub>	T <sub>max</sub>	P <sub>max</sub>	T <sub>max</sub>
8 bar	90 °C	12 bar	110 °C



See TECHNICAL SUPPORT chapter for example of installation

<b>A</b>	Domestic hot water outlet
<b>B</b>	Recirculation
<b>C-D</b>	Connection for instrumentation 1/2" G F
<b>E</b>	Connection for 2nd magnesium anode 1"1/4 G F (only for models > 1500)
<b>F-G</b>	Connection for magnesium anode/Recirculation
<b>H</b>	Heat exchanger drain 3/8" G F
<b>I</b>	Primary circuit inlet
<b>L</b>	Primary circuit outlet
<b>M-N</b>	Domestic water inlet / Drain
<b>P</b>	Heat exchanger flange



VERSION WITH 2 EXTRACTABLE HEAT EXCHANGERS IS AVAILABLE UPON REQUEST

Model	Volume [lt]	De	L	H	L1	L2	L3	L4	L5	H1
					[mm]					
<b>200</b>	191	670	1594	693	344	1144	409	1079	//	43
<b>300</b>	292	770	1645	849	370	1170	440	1100	//	99
<b>500</b>	500	870	1934	946	395	1445	490	1350	//	96
<b>800</b>	795	970	2251	1042	425	1725	555	1595	//	92
<b>1000</b>	1045	1070	2281	1137	458	1758	588	1628	//	87
<b>1500</b>	1498	1210	2651	1240	474	2024	629	1869	//	90
<b>2000</b>	2064	1360	2706	1380	520	2070	660	1930	908	80
<b>3000</b>	2997	1350	2956	1524	495	2295	695	2095	945	154
<b>4000</b>	4184	1550	3066	1707	560	2360	665	2255	1010	137
<b>5000</b>	5131	1700	3107	1845	583	2383	783	2183	1033	125

Model	H2	H3	H4	H5	H6	W	P	L-I	F-G	B	A-M-N	E
<b>200</b>	243	293	343	368	498	364	Ø1220/Øe300	1"	1"1/4	1"1/4	1"1/4	-
<b>300</b>	336	386	436	474	668	404	Ø1220/Øe300	1"	1"1/4	1"1/4	1"1/4	-
<b>500</b>	383	433	483	521	715	455	Ø1220/Øe300	1"	1"1/4	1"1/4	1"1/4	-
<b>800</b>	348	438	528	567	817	583	Ø1300/Øe380	2"	1"1/4	1"1/4	1"1/2	-
<b>1000</b>	277	367	457	612	917	644	Ø1300/Øe380	2"	1"1/2	1"1/2	1"1/2	-
<b>1500</b>	315	405	495	665	1020	759	Ø1300/Øe380	2"	2"	2"	2"	-
<b>2000</b>	330	435	540	730	1085	848	Ø1350/Øe430	2"	2"	2"	2"	1"1/4
<b>3000</b>	324	429	534	829	1184	981	Ø1350/Øe430	2"	2"	2"	2"	1"1/4
<b>4000</b>	307	412	517	912	1267	1101	Ø1350/Øe430	2"	2"	2"	3"	1"1/4
<b>5000</b>	305	410	515	975	1330	1189	Ø1350/Øe430	2"	2"	2"	3"	1"1/4

P.E.D. product designed and produced in conformity to the article 4.3 of directive 2014/68/UE - ErP Ecodesign directive 2009/125/CE