

EXPANSION VESSELS-MEMBRANE GALVANIZED PED VT

VERTICAL GALVANIZED EXPANSION VESSEL WITH MEMBRANE (DIRECTIVE 2014/68/UE)



VASO MEMB. Z PED VT

Model	Art. Nr.
50	3911161991007
80	3911161991008
100	3911161991003
200	3911161991004
300	3911161991011
500	3911161991012

VASO MEMB. Z PED 50 LT (9 unit box)

Model	Art. Nr.
50	391116199100709

TECHNICAL DESCRIPTION

Vertical Z PED expansion vessels with membrane are used for lifted water systems and they represent a pressurised water lung that, if duly dimensioned, reduces pump cycling. The peculiarity of this product is the physic separation between water and air made by the membrane.

APPLICATION

Perfect to ensure water deliveries to the top floors of the building or to work in case of insufficient water supplied by waterworks, or to stabilize pressure in the domestic water supply by absorbing expansion when the water is heated.

MATERIAL

Galvanized mild steel.

MEMBRANE

Elastic EPDM foodstuff membrane suitable for drinking water.

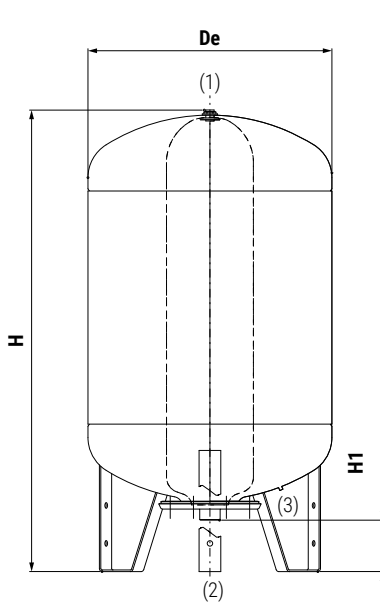
CERTIFICATIONS

Z PED VT expansion vessels with membrane are produced in accordance with safety disposal of European Directive 2014/68/UE in terms of pressurized devices.

- They are CE labelled with design data:
- pressurized fluid: water+air or nitrogen
- Fluid group: 2
- max. working pressure: 10bar

DOCUMENTS ATTACHED

- CE certification
- User Instructions



Model	De	H	H1	1	2	3	WORKING CONDITIONS	
							min/max Temp. [°C]	max Press. [bar]
50	400	627	91		1" M	-	-10/+99	10
80	450	717	88	Air inlet valve	1" M	-	-10/+99	10
100	450	872	88	1/2"	1" M	Water in/out	-10/+99	10
200	550	1187	151	1/2" Instrumentation	1" 1/4 F	Air inlet valve	-10/+99	10

Model	De	H	H1	1	2	3	Used as air cushion pressure vessel		Used as expansion vessel	
							min/max Temp. [°C]	max Press. [bar]	min/max Temp. [°C]	max Press. [bar]
300	650	1254	150	1/2"	1" 1/4 F	Water in/out	-10/+50	10	-10/+99	10
500	750	1511	144	Instrumentation	1" 1/4 F	Air inlet valve	-10/+50	10	-10/+99	10

EXPANSION VESSEL-MEMBRANE GALVANIZED PED 24 LT

GALVANIZED EXPANSION VESSEL WITH MEMBRANE (DIRECTIVE 2014/68/UE)

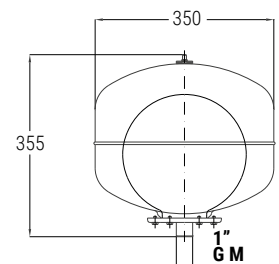


VASO MEMB. Z PED 24 LT (36 unit box)

Model	Art. Nr.
24	390119060000136

VASO MEMB. Z PED 24 LT

Model	Art. Nr.
24	3901190600001



PRESSURE	TEMPERATURE
Pmax 8 bar	Tmax -10/+99 °C

EXPANSION VESSELS-MEMBRANE **GALVANIZED PED OR**

HORIZONTAL GALVANIZED EXPANSION VESSEL WITH MEMBRANE (DIRECTIVE 2014/68/UE)

VASO MEMB. Z PED OR

Model	Art. Nr.
50	3911160991007
80	3911160991008
100	3911160991003
200	3911160991004
300	3911160991011
500	3911160991012



TECHNICAL DESCRIPTION

Horizontal Z PED expansion vessels with membrane are used for lifted water systems and they represent a pressurized water lung that, if duly dimensioned, reduces pump cycling. The peculiarity of this product is the physic separation between water and air made by the membrane.

APPLICATION

Perfect to ensure water deliveries to the top floors of the building or to work in case of insufficient water supplied by waterworks, or to stabilize pressure in the domestic water supply by absorbing expansion when the water is heated.

MATERIAL

Galvanized mild steel

MEMBRANE

Elastic EPDM membrane suitable for drinking water.

CERTIFICATIONS

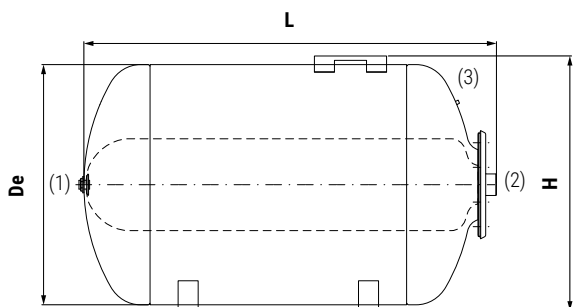
Z PED OR expansion vessels with membrane are produced in accordance with safety disposal of European Directive 2014/68/UE in terms of pressurized devices.

They are CE labelled with design data:

- pressurized fluid: water+air or nitrogen
- Fluid group: 2
- max. working pressure: 10bar

DOCUMENTS ATTACHED

- CE certification
- User Instructions



Model	De	H	L	1	2	3	WORKING CONDITIONS	
							min/max Temp. [°C]	max Press. [bar]
50	400	424	583	Air inlet valve	1" M	-	-10/+99	10
80	450	473	598		1" M	Water in/out	-	-10/+99
100	450	473	783	1/2"	1" M		Air inlet valve	-10/+99
200	550	583	1066	1/2" Instrumentation	1" 1/4 F	-10/+99		10

Model	De	H	L	1	2	3	Used as air cushion pressure vessel		Used as expansion vessel	
							min/max Temp. [°C]	max Press. [bar]	min/max Temp. [°C]	max Press. [bar]
300	650	807	1080	1/2"	1" 1/4 F	Water in/out	-10/+50	10	-10/+99	10
500	750	900	1350	Instrumentation	1" 1/4 F		Air inlet valve	-10/+50	10	-10/+99

MOTOR SUPPORT PLATE

