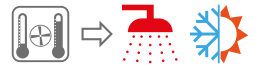


ECO COMBI 1 PDC HY

MULTI-HEAT ENERGY BUFFER FOR HEAT PUMP WITH STAINLESS STEEL 316L DHW CORRUGATED COIL AND INTEGRATED BUFFER TANK SPECIFIC FOR HEAT PUMPS



APPLICATION

Technical hot water storage and D.H.W. production. Heating/cooling buffer tank for heat pumps.

MATERIAL

- **BUFFER TANK:** Mild steel painted on the outside. Buffer intended for closed circuit installation, so no anti-corrosion treatment is provided.

- **DHW STORAGE:** Stainless steel 316L corrugated coil, suitable for D.H.W.

- **ENERGY BUFFER hot-cold:** mild steel.

TECHNICAL DESCRIPTION

Designed for systems powered by heat pump heat source. ECO COMBI 1 PDC, at the typical temperatures of heat pumps, guarantees excellent DHW production thanks to the specially designed and dimensioned corrugated stainless steel 316L heat exchanger.

INSULATION

High thermal insulation with ecological polyurethane hard foam. Grey PVC external lining.

WARRANTY

5 years (See general sales conditions and warranty)

ACCESSORIES AND SPARE PARTS

See Accessories section for the entire list.



316L STAINLESS STEEL DHW CORRUGATED COIL

NEW



ECO COMBI 1 PDC HY VB


HARD FOAM INSULATION

Model	Art. Nr.	Heat pump max output [kW]	316L STAINLESS STEEL CORRUGATED COIL FOR D.H.W. PRODUCTION		ENERGY EFFICIENCY CLASS
			Volume [lt]	Surface [m ²]	
300	3270162310006	26	26,6	4,5	C
500	3270162310007	26	31	5,3	C




ACCESSORIES

Thermometer

Art. Nr.	
5032240000107	
5 units box	

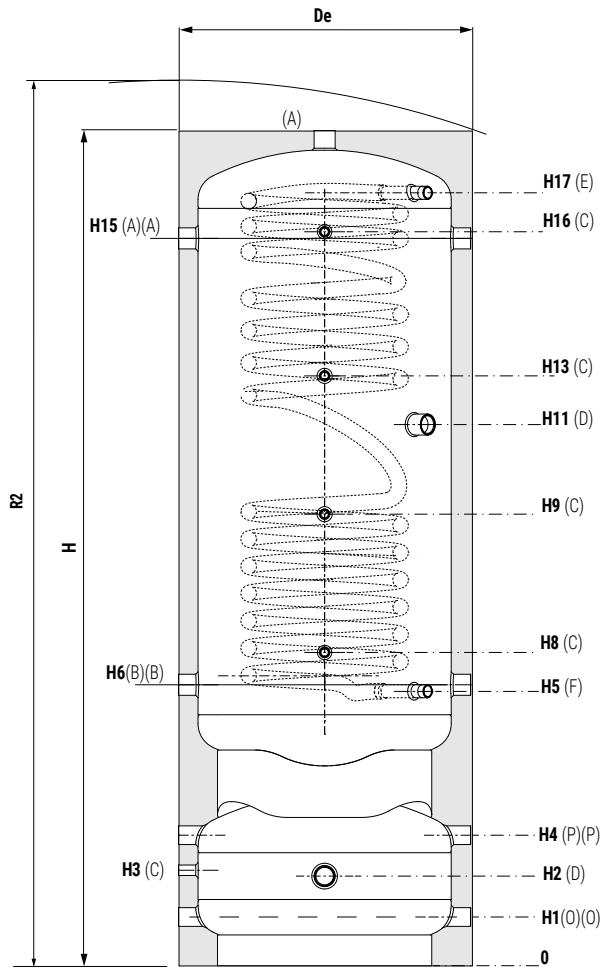
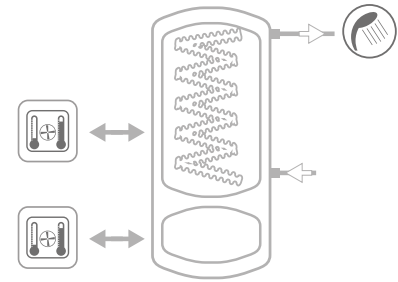
Recirculation kit (only for models ≥ 500)

Art. Nr.	
5221000000019	
Connection 3/4"	

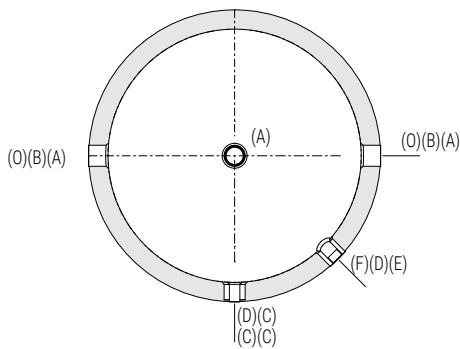
ECO COMBI 1 PDC HY

MULTI-HEAT ENERGY BUFFER FOR HEAT PUMP WITH STAINLESS STEEL 316L DHW CORRUGATED COIL AND INTEGRATED BUFFER TANK SPECIFIC FOR HEAT PUMPS

STORAGE		CORRUGATED DHW STAINLESS STEEL 316L COIL		BUFFER TANK	
Pmax	Tmax	Pmax	Tmax	Pmax	Tmax
3 bar	99 °C	6 bar		4 bar	-10/+95 °C



- A** From the generator - Heating delivery G 1"1/2 F
- B** Heating return/to generator G 1"1/2 F
- C** Probe G 1/2" F
- D** Electric immersion heater G 1"1/2 F
- E** Domestic hot water circuit outlet
- F** Domestic water inlet
- O** Heating return/to generator G 1"1/4 F
- P** From the generator - Heating delivery G 1"1/4 F



Model	Volume		De	H	R2	H1	H2	H3	H4	H5	H6
	[l]	Buffer tank volume [t]									
300	291	81	650	1965	2080	110	232	264	354	697	730
500	454	108	750	2145	2280	125	230	245	335	704	721

Model	H7	H8	H9	H10	H11	H12	H13	H14	H15	H16	H17	E-F Connections F
	[mm]											
300	//	790	1145	//	1370	//	1500	//	1680	1715	1815	1/2" M.
500	//	804	1159	//	1389	//	1514	//	1867	1884	1984	1" M.

P.E.D. product designed and produced in conformity to the article 4.3 of directive 2014/68/UE - ErP Ecodesign directive 2009/125/CE