

# COMPRESSED AIR RECEIVERS **P.E.D. VT**

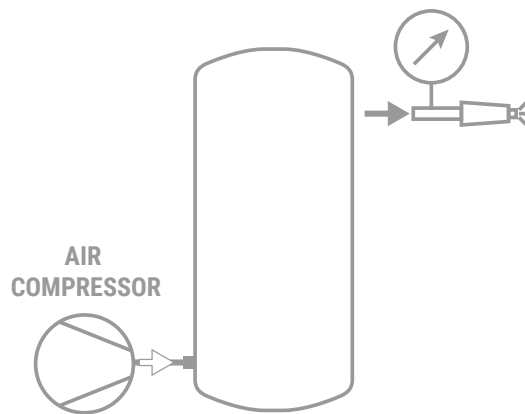
## COMPRESSED AIR / NITROGEN RECEIVERS (DIRECTIVE 2014/68/UE - P.E.D.)



**CE**

WORKING TEMPERATURE

Tmax  
-10/+100 °C



### TECHNICAL DESCRIPTION

Compressed air receivers allows to extract more air than the quantity produced by compressor, this without causing an under-pressure in the unit.

Built in mild steel, either painted, galvanized and painted with internal Polywarm® coating according to D.M. nr. 174 dated 06/04/2004

### APPLICATION

Storage and distribution of compressed air.

### MATERIAL

- Painted mild steel (standard colour RAL 5002-Blue). Other colours on demand: RAL 5015 - Light Blue / RAL 3000 - Red / RAL 1021 - Yellow
- Galvanized mild steel.
- Painted mild steel version with internal Polywarm® coating.

### DOCUMENTS ATTACHED

- CE certification - User Instructions

### CERTIFICATIONS

Compressed air receivers are produced according to European Directive 2014/29/CE for items with a "volume x pressure" minor than 10.000 Bar x liter. These tanks are marked CE under the monitoring of an external control agency.

- Liquid in pressure: air
- Liquid group: 2
- Maximum working pressure: (See tab)
- Temperature: -10/+100°C

GALVANIZED / PAINTED



(\*) Other colours on demand:  
RAL 5015 Light Blue / RAL 3000 Red / RAL 1021 Yellow

2014/68/CE-P.E.D.

### VERTICAL COMPRESSED AIR RECEIVER

Model	Pressure [Bar]	Galvanized	PAINTED - RAL 5002 BLUE (*)
		Art. Nr.	Art. Nr.
<b>1500</b>	<b>8</b>	3054171990001	3054172240001
<b>2000</b>		3054171990002	3054172240002
<b>3000</b>		3054171990054	3054172240054
<b>4000</b>		3054171990005	3054172240005
<b>5000</b>		3054171990006	3054172240006
<b>8000</b>		3054171990032	/
<b>10000</b>		3054171990033	/
<b>1000</b>		3054171990067	3054172240067
<b>1500</b>		3054171990011	3054172240011
<b>2000</b>		3054171990012	3054172240012
<b>2500</b>	<b>12</b>	3054171990013	3054172240013
<b>3000</b>		3054171990064	3054172240064
<b>4000</b>		3054171990015	3054172240015
<b>5000</b>		3054171990016	3054172240016
<b>8000</b>		3054171990030	/
<b>10000</b>		3054171990031	/
<b>1000</b>		3054171990167	3054172240151
<b>1500</b>		<b>15</b>	3054171990118
<b>2000</b>	3054171990168		3054172240152

2014/68/CE-P.E.D.

### VERTICAL COMPRESSED AIR RECEIVER + MANHOLE

Model	Pressure [Bar]	Galvanized	
		Art. Nr.	
<b>8000</b>	<b>8</b>	3054171990007	<b>on request</b>
<b>10000</b>		3054171990008	<b>on request</b>
<b>8000</b>	<b>12</b>	3054171990027	<b>on request</b>
<b>10000</b>		3054171990028	<b>on request</b>

### VERTICAL COMPRESSED AIR RECEIVER - POLYWARM® (2014/68/CE-P.E.D.)

Pressure [Bar]	PAINTED RAL 5002 BLUE (*) - FOOD INTERNAL COATING
<b>8</b>	<b>(on request) from 1500 to 5000</b>
<b>12</b>	<b>(on request) from 1000 to 5000</b>
<b>15</b>	<b>(on request) from 1000 to 2000</b>

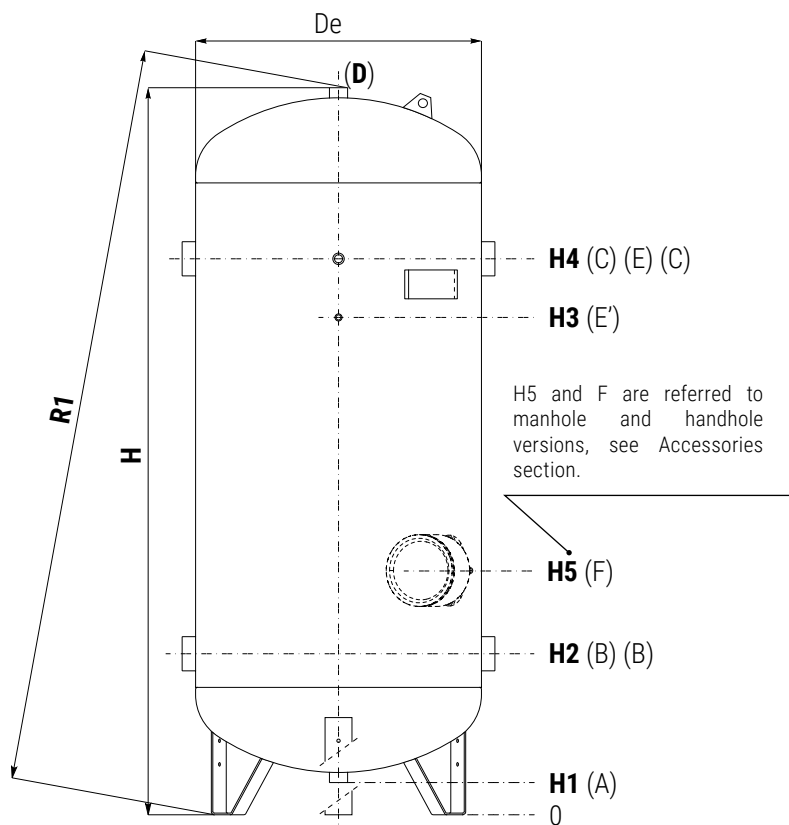
FOOD INTERNAL COATING



(\*) Other colours on demand:  
RAL 5015 Light Blue / RAL 3000 Red / RAL 1021 Yellow

# COMPRESSED AIR RECEIVERS **P.E.D. VT**

COMPRESSED AIR / NITROGEN RECEIVERS (DIRECTIVE 2014/68/UE - P.E.D.)



<b>A</b>	Drain
<b>B</b>	Air inlet
<b>C</b>	Air outlet
<b>D</b>	Safety Valve
<b>E-E'</b>	Instrumentation
<b>F</b>	Manhole / handhole (on request)

Model	Working Pressure	De	H	R1	H1	H2	H3	H4	H5	A-D	B-C	E	E'
	[bar]												
<b>1500</b>	<b>8</b>	950	2470	2510	115	520	1480	1680	860	2"	2"	3/8"	3/4"
<b>2000</b>		1100	2545	2600	100	595	1495	1695	890	2"	2"	3/8"	3/4"
<b>3000</b>		1200	2950	3075	140	680	1580	1780	985	2"	3"	3/8"	3/4"
<b>4000</b>		1450	3010	3100	115	710	1610	1810	1010	2"	3"	3/8"	3/4"
<b>5000</b>		1450	3510	3585	115	710	2100	2300	1010	2"	3"	3/8"	3/4"
<b>8000</b>		1650	4200	4280	200	905	3310	3510	1150	2"	4"	3/8"	3/4"
<b>10000</b>		1650	5200	5270	200	905	4310	4510	1150	2"	4"	3/8"	3/4"
<b>1000</b>	<b>12</b>	790	2440	2470	180	575	1625	1825	870	2"	2"	3/8"	3/4"
<b>1500</b>		950	2470	2510	115	520	1480	1680	860	2"	2"	3/8"	3/4"
<b>2000</b>		1100	2545	2600	100	595	1495	1695	890	2"	2"	3/8"	3/4"
<b>2500</b>		1200	2660	2760	140	680	1580	1780	985	2"	3"	3/8"	3/4"
<b>3000</b>		1200	2950	3075	140	680	1580	1780	985	2"	3"	3/8"	3/4"
<b>4000</b>		1450	3010	3100	115	710	1610	1810	1010	2"	3"	3/8"	3/4"
<b>5000</b>		1450	3510	3585	115	710	2100	2300	1010	2"	3"	3/8"	3/4"
<b>8000</b>	1650	4200	4280	200	905	3310	3510	1150	2"	4"	3/8"	3/4"	
<b>10000</b>	1650	5200	5270	200	905	4310	4510	1150	2"	4"	3/8"	3/4"	
<b>1000</b>	<b>15</b>	790	2440	2470	180	575	1625	1825	870	2"	2"	3/8"	3/4"
<b>1500</b>		950	2470	2510	115	520	1480	1680	860	2"	2"	3/8"	3/4"
<b>2000</b>		1100	2545	2600	100	595	1495	1695	890	2"	2"	3/8"	3/4"