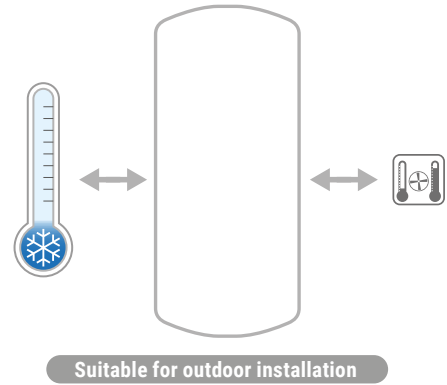


CHILLED WATER STORAGE TANK - STAINLESS STEEL 304 XB

VERTICAL STAINLESS STEEL 304 CHILLED WATER TANK



PRESSURE	TEMPERATURE
Pmax	Tmax
6 bar	-30 / +60 °C



TECHNICAL DESCRIPTION

The chilled water accumulation tanks are designed to be installed in air conditioning systems to increase inertia and in those with low water content, to minimize the number of hourly starts of the refrigeration unit to save its duration

MATERIAL

Stainless steel 304

EXTERNAL LINING

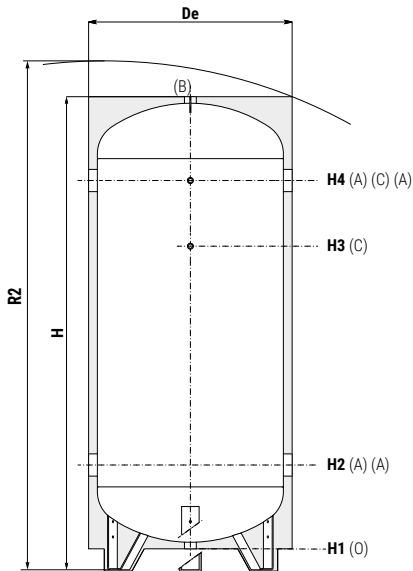
Galvanized and painted metallic cover.

INSULATION

High thermal insulation with ecological polyurethane hard foam.

WARRANTY

2 years-See general sales conditions and warranty.



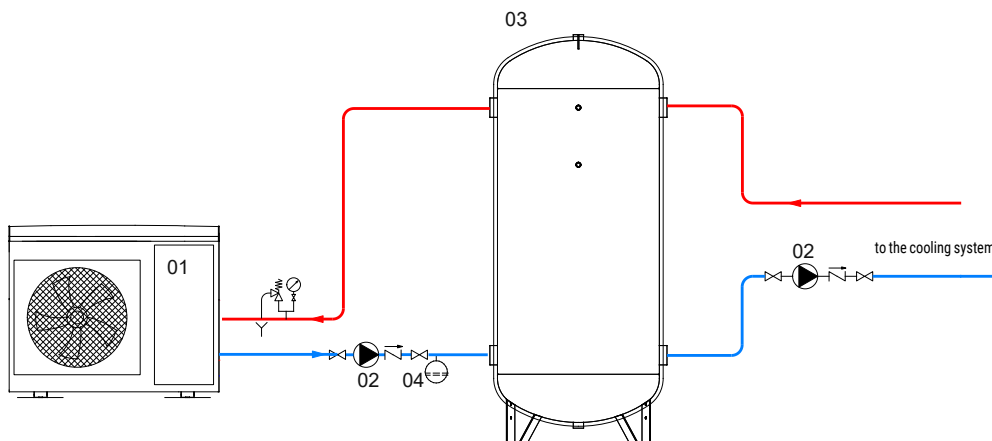
Model

ACQ. REF. XB 20 VT

	Art. Nr.
100	3001012310001
200	3001012310002
300	3001012310003
500	3001012310004
800	3001012310005
1000	3001012310006

- A** To the System
- B** Safety Valve
- C** Connection for instrumentation 1/2" G F
- O** Drain

Model	Weight [Kg]	Volume [lt]	De	H	R2	H1	H2	H3	H4	B-O	A	C
100	32	99	450	1006	1110	77	286	591	796	1"1/4	1"1/2	1/2"
200	53	187	500	1410	1505	72	301	931	1176	1"1/4	1"1/2	1/2"
300	67	288	610	1515	1640	124	398	988	1238	1"1/4	2"	1/2"
500	101	496	730	1805	1955	114	433	1233	1483	1"1/4	3"	1/2"
800	147	788	830	2100	2265	116	458	1458	1758	1"1/4	3"	1/2"
1000	170	1034	930	2160	2360	102	480	1480	1780	1"1/2	3"	1/2"



01	Generator
02	Air conditioning system circulation group
03	Chilled water tank
04	Expansion vessel