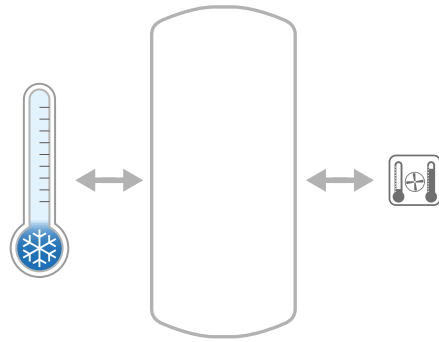


# CHILLED WATER STORAGE TANK GALVANIZED ZC 20 VT

## VERTICAL GALVANIZED CHILLED WATER TANK



PRESSURE	TEMPERATURE
Pmax 6 bar	Tmax -10 / +60 °C



### APPLICATION AND TECHNICAL DESCRIPTION

Storage of chilled water for cooling systems.  
Vertical inertial water tanks are used to increase the thermal inertia and, for those installations with a low water-capacity, to avoid that the chiller is continuously working. These tanks are made in galvanized mild steel.

### EXTERNAL LINING

Blue PVC with plastic black caps for connections.

### MATERIAL

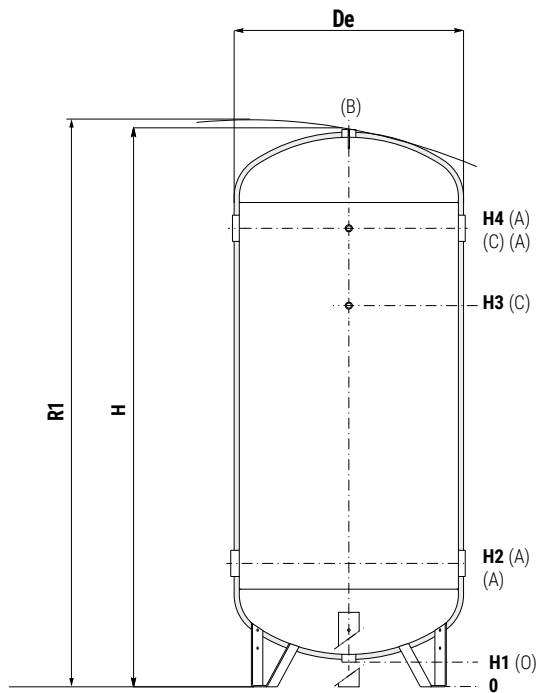
These tanks are galvanized inside and outside, with immersion in a pool of fused zinc with pureness not below 99,99% (Uni EN 1179).

### INSULATION

20 mm fixed polyethylene anti-condensation. Not self-extinguishing version. Not removable from the tank.

### WARRANTY

2 years-See general sales conditions and warranty.



### ACQ. REF. ZC 20 VT

(INSULATION 20 mm  
Not self-extinguishing)

Model

Model	Art. Nr.
100	3001162130001
200	3001162130002
300	3001162130003
500	3001162130004
800	3001162130005
1000	3001162130006
1500	3001162130107
2000	3001162130108
2500	3001162130113
3000	3001162130109
4000	3001162130110
5000	3001162130112

<b>A</b>	To the System
<b>B</b>	Safety Valve
<b>C</b>	Connection for instrumentation 1/2" G F
<b>O</b>	Drain

Model	Weight	Volume	DE	H	R1	H1	H2	H3	H4	B-O	A	C
	[Kg]	[lt]										
100	32	101	440	1006	1017	73	287	592	792	1"1/4	1"1/2	1/2"
200	53	190	490	1407	1415	68	297	927	1177	1"1/4	1"1/2	1/2"
300	67	292	590	1518	1529	129	404	994	1244	1"1/4	2"	1/2"
500	101	501	690	1810	1821	121	441	1241	1491	1"1/4	3"	1/2"
800	147	788	790	2108	2119	108	458	1458	1758	1"1/4	3"	1/2"
1000	170	1034	890	2162	2178	96	479	1479	1779	1"1/2	3"	1/2"
1500	183	1432	990	2351	2386	121	490	1700	2000	2"	3"	1/2"
2000	219	1970	1140	2421	2437	105	509	1719	2019	2"	3"	1/2"
2500	274	2300	1290	2289	2304	149	619	1519	1819	2"	4"	1/2"
3000	321	2908	1290	2804	2826	149	619	1919	2319	2"	4"	1/2"
4000	442	3749	1440	2878	2904	133	648	1948	2348	2"	4"	1/2"
5000	565	4964	1640	2916	2948	111	656	1956	2356	2"	4"	1/2"