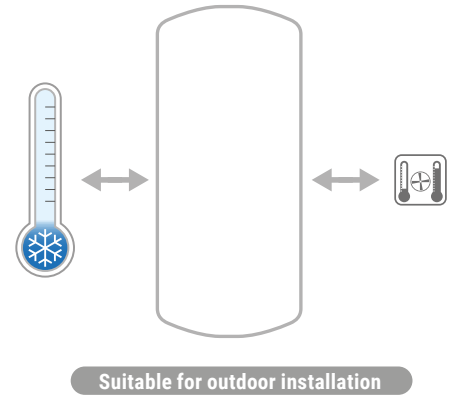


CHILLED WATER STORAGE TANK - GALVANIZED ZB

VERTICAL GALVANIZED CHILLED WATER TANK



PRESSURE	TEMPERATURE
Pmax	Tmax
6 bar	-10 / +60 °C



APPLICATION AND TECHNICAL DESCRIPTION

Storage of chilled water for cooling systems. These buffers have rigid insulation and external galvanized and painted metallic cover. They are used to increase the thermal inertia and, for those installations with low water-capacity, avoiding that the chilling generator is continuously working.

EXTERNAL LINING

Galvanized and painted metallic cover.

MATERIAL

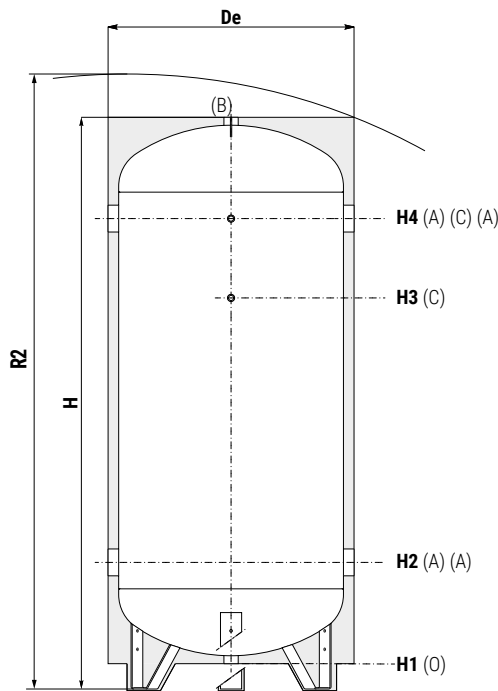
Galvanized mild steel

INSULATION

High thermal insulation with ecological polyurethane hard foam.

WARRANTY

2 years-See general sales conditions and warranty.



ACQ. REF. ZB VT

Model	Art. Nr.
100	3001162310001
200	3001162310002
300	3001162310003
500	3001162310004
800	3001162310005
1000	3001162310006
1500	3001162310007
2000	3001162310008

SUITABLE FOR OUTDOOR INSTALLATION

- A** To the System
- B** Safety Valve
- C** Connection for instrumentation 1/2" G F
- O** Drain

Model	Weight [Kg]	Volume [lit]	De	H	R2	H1	H2	H3	H4	Connections F		
										B-O	A	C
100	32	99	450	1010	1110	73	287	592	792	1"1/4	1"1/2	1/2"
200	53	187	510	1410	1505	68	297	927	1177	1"1/4	1"1/2	1/2"
300	67	288	620	1520	1650	129	404	994	1244	1"1/4	2"	1/2"
500	101	496	730	1810	1960	121	441	1241	1491	1"1/4	3"	1/2"
800	147	788	830	2105	2270	113	458	1458	1758	1"1/4	3"	1/2"
1000	170	1034	940	2165	2365	96	479	1479	1779	1"1/2	3"	1/2"
1500	183	1432	1130	2355	2620	102	471	1681	1981	2"	3"	1/2"
2000	219	1970	1280	2425	2750	102	506	1716	2016	2"	3"	1/2"