

BOLLY® MURALE

HANGED POLYWARM® COATED CALORIFIER FOR D.H.W. PRODUCTION WITH 1 FIXED HEAT EXCHANGER



APPLICATION

Production and storage of domestic hot water (DHW).

MATERIAL

Mild steel Polywarm® coated (Attestation ACS - SSICA - EN 16421 - WRAS).

Complete with wall brackets

HEAT EXCHANGER:

Nr.1 Mild steel Polywarm® coated heat exchanger.

INSULATION

High thermal insulation with ecological polyurethane hard foam.

Grey PVC external lining.

CATHODE PROTECTION

Magnesium anode.

DRAIN

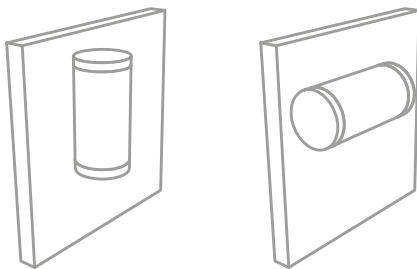
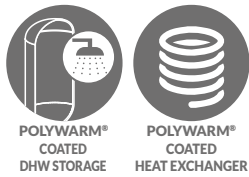
External confluence through drain connection.

WARRANTY

5 years (See general sales conditions and warranty)

ACCESSORIES AND SPARE PARTS

See Accessories section for the entire list.



Vertical or horizontal wall hanged



BOLLY® MURALE WB

HEAT EXCHANGER SURFACE ENERGY EFFICIENCY CLASS

Model	HARD FOAM INSULATION+PVC Art. Nr.	[m²]	ErP
80	3104160900031	0,44	C
100	3104160900032	0,44	C
150	3104160900033	0,63	C
200	3104160900034	0,84	C
300	3104160900035	1,22	C


Model	Output		Production of D.H.W.	
	[kW]	Ignition time [min]	[lt/h]	[lt/10']
80	14	26	345	171
100	14	32	345	200
150	21	33	508	298
200	29	32	704	403
300	42	34	1027	599

Data have been calculated with primary water at 85 °C - DHW production from 10°C to 45°C, and storage at 60 °C

ACCESSORIES


Electric immersion heater with thermostat

Art. Nr.	Output	Connection
5240000000051	1,5 kW	1"1/2
5240000000052	2 kW	1"1/2
5240000000053	3 kW	1"1/2




Thermometer

Art. Nr.
5032240000107
5 units box




HEAT MANAGER + electric immersion heater 1,5 kW + probe +3m cable

Art. Nr.	ELECTRIC IMMERSION HEATER
5240000000074	1,5 kW
5240000000075	2 kW
5240000000076	3 kW



Magnesium anode

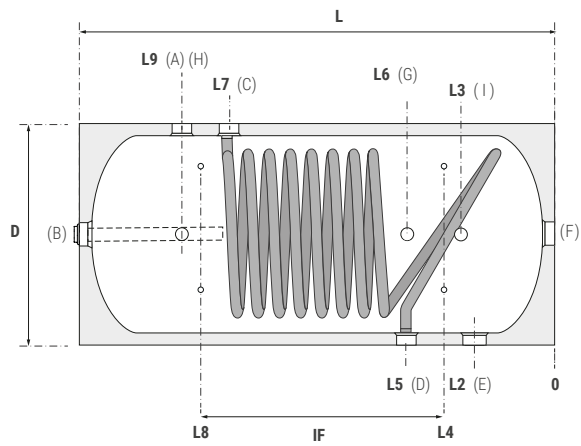
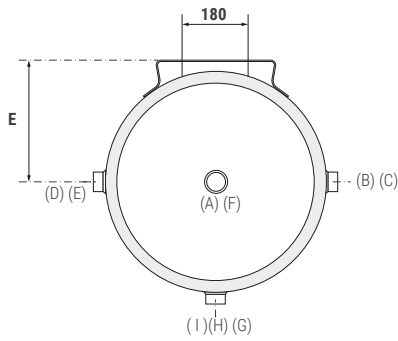
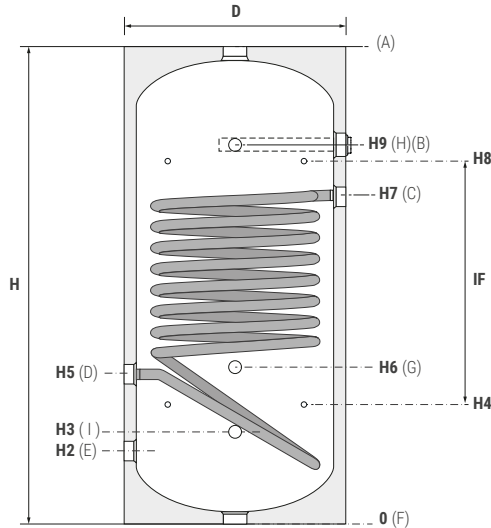
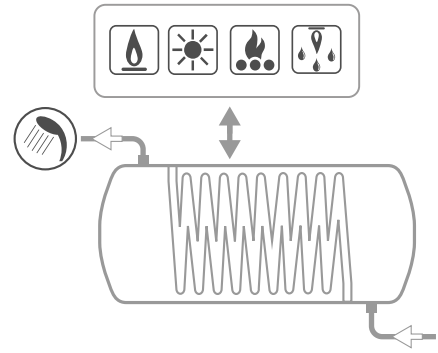
ART. NR.	Model
5200000041015	80-150
5200000041010	200-300
2 units box	



BOLLY® MURALE

HANGED POLYWARM® COATED CALORIFIER FOR D.H.W. PRODUCTION WITH 1 FIXED HEAT EXCHANGER

STORAGE		HEAT EXCHANGER	
Pmax	Tmax	Pmax	Tmax
10 bar	90 °C	12 bar	110 °C



- A** Domestic hot water outlet 1"1/4 G
- B** Magnesium anode 1"1/4 G F
- C** Primary circuit inlet 1"1/4 G F
- D** Primary circuit outlet 1"1/4 G F
- E** Domestic cold water circuit inlet 1"1/4 G F
- F** Connection 1"1/4 G F
- G** Instrumentation 1/2" G F
- H** Instrumentation 1/2" G F
- I** Connection for electric immersion heater 1"1/2 G F

Model	Volume [lt]	Weight [Kg]	DE	H/L	H2/L2	H3/L3	H4/L4	H5/L5	H6/L6	H7/L7	H8/L8	H9/L9	IF	E
80	84	25	456	800	195	205	218	290	330	510	583	605	220	250
100	103	29	456	954	205	215	223	300	340	655	733	750	510	250
150	149	40	456	1330	205	215	330	300	340	1030	1000	1125	570	250
200	191	47	510	1350	215	225	318	310	350	1040	1033	1135	730	275
300	293	62	610	1400	240	250	343	335	375	1065	1058	1160	730	325

P.E.D. product designed and produced in conformity to the article 4.3 of directive 2014/68/UE - ErP Ecodesign directive 2009/125/CE

BOLLY® MURALE - BOLLY® PRIMO

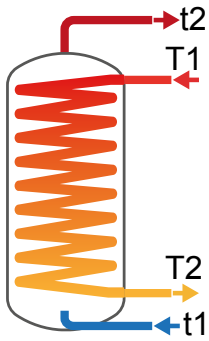
HEAT EXCHANGERS TECHNICAL DATA



Data have been calculated on following basis:

- 1) Primary circuit at T1 and proper energy source;
- 2) Production of DHW in continuous from 10 °C to t2;
- 3) DHW that can be taken in the first 10' and in the first hour from storage at t2, input 10 °C and output 45 °C;
- 4) Non-scaling sanitary water

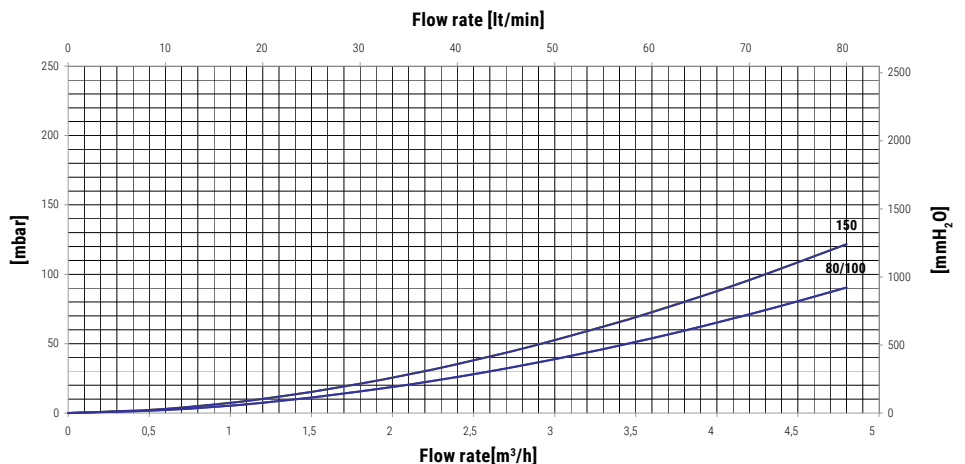
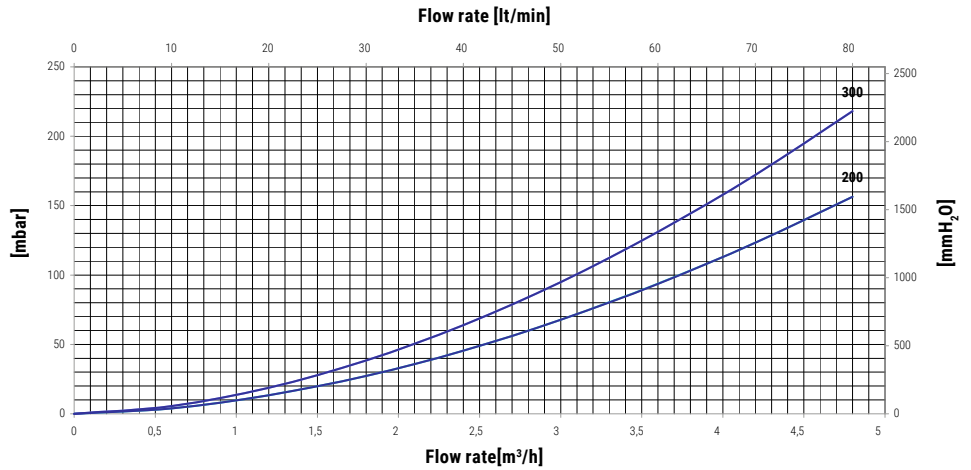
Model	Primary flow rate [m³/h]	Ignition time (minutes) from 10 °C to t2 and primary at T1				Maximum power exchange (kW) with primary at T1, secondary within 10-45 °C and constant use of DHW production				DHW continuous production lt/h within 10-45 °C and primary at T1			
		T1/t2				T1				T1			
		55/50	65/60	70/60	80/60	55	65	70	80	55	65	70	80
80	2	80	85	55	35	4,9	7,3	8,6	11,2	114	175	207	270
	1	90	96	61	39	4,5	6,7	7,9	10,2	105	160	188	245
100	2	99	105	68	43	4,9	7,3	8,6	11,2	114	175	207	270
	1	111	119	76	48	4,5	6,7	7,9	10,2	105	160	188	245
150	2	105	111	74	47	6,5	9,7	11,3	14,7	154	234	275	358
	1	119	126	84	54	6	8,8	10,3	13,2	141	218	248	322
200	2,5	91	95	65	42	9,2	13,8	16,2	21	223	337	395	513
	1,25	102	108	73	48	8,6	12,7	14,7	19	206	308	359	464
300	3	98	102	70	46	13,1	19,6	22,9	29,6	318	479	561	727
	1,5	110	115	80	52	12,2	17,9	20,8	26,7	296	438	510	656



Model	Primary flow rate [m³/h]	DHW produced in the first 10 minutes in lt/10' input 10 °C output 45 °C, storage at t2 and primary at T1				DHW produced in the first hour in lt/60' input 10 °C output 45 °C, storage at t2 and primary at T1				Heat exchanger pressure drop	
		T1/t2				T1/t2				[mmH ₂ O]	[mbar]
		55/50	65/60	70/60	80/60	55/50	65/60	70/60	80/60		
80	2	110	143	149	159	183	254	280	330	175	17
	1	109	141	146	155	175	242	265	310	51	5
100	2	133	172	177	188	205	283	308	359	175	17
	1	132	170	174	184	198	271	293	339	51	5
150	2	191	246	253	267	289	394	427	494	229	22
	1	189	243	248	261	279	382	406	465	67	7
200	2,5	249	320	330	350	390	534	580	675	472	46
	1,25	246	316	324	342	376	511	551	635	139	14
300	3	379	487	501	528	580	790	856	989	908	89
	1,5	375	480	492	516	563	758	815	932	268	26

HEAT EXCHANGERS PRESSURE DROP

Heat exchangers surface [m²]	
80	0,44
100	0,44
150	0,63
200	0,84
300	1,22

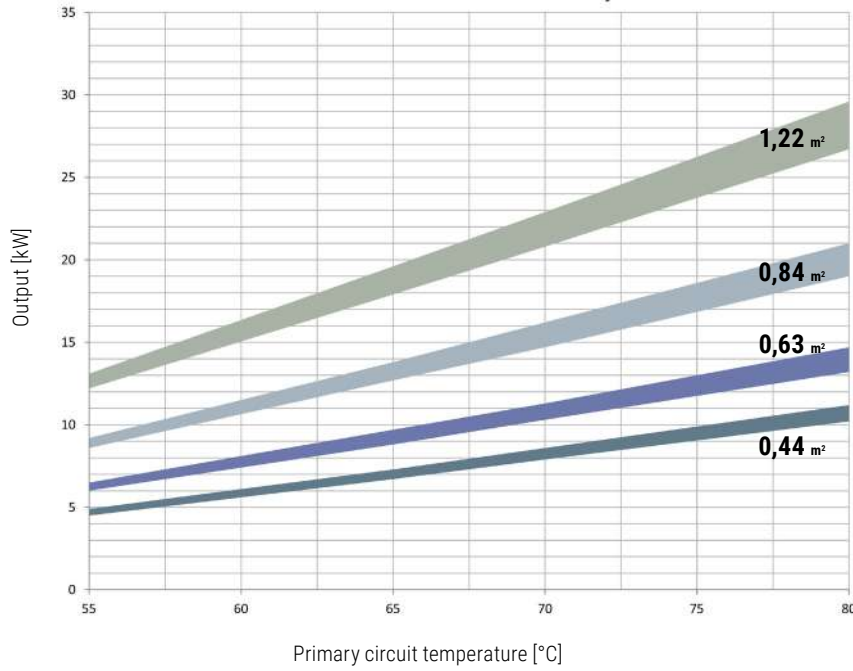


BOLLY® MURALE - BOLLY® PRIMO

HEAT EXCHANGERS TECHNICAL DATA

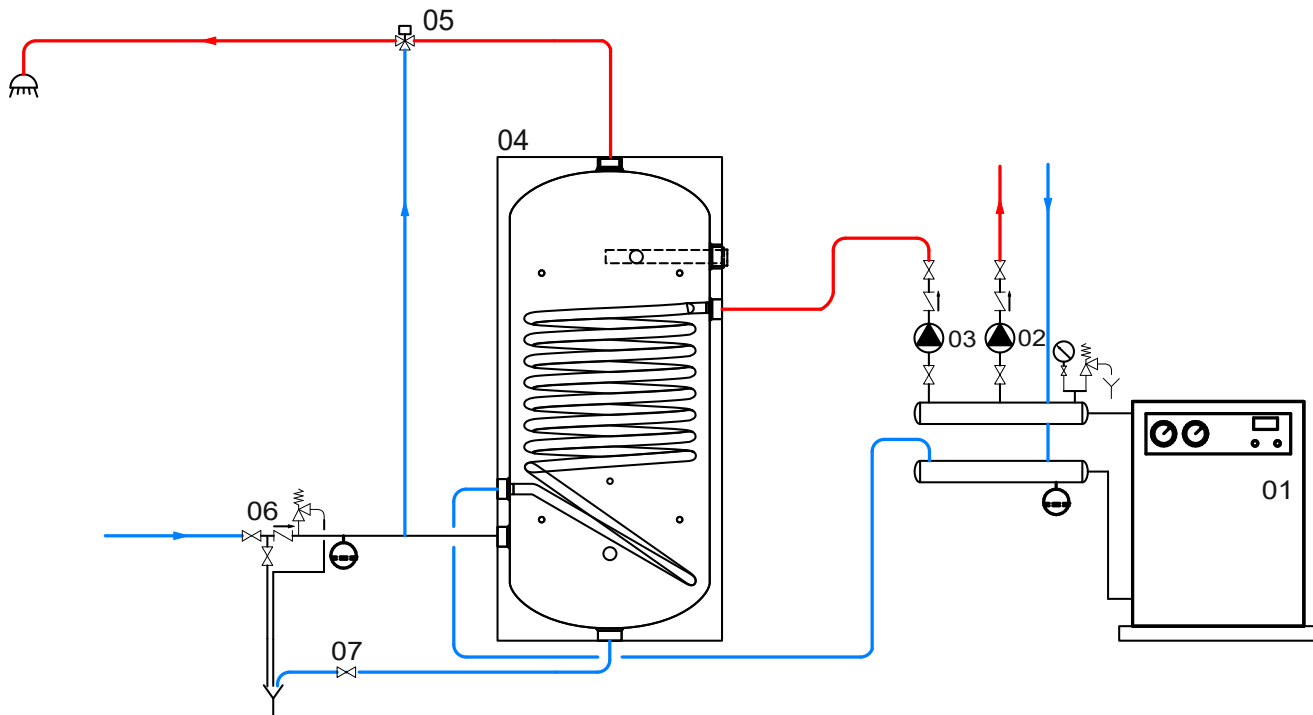


Heat Exchanger output referred to temperature and flow rate of primary circuit and with secondary at 10/45°C at maximum withdrawal of producible DHW (Upper limit of the curves referred to maximum primary flow rate in the heat exchanger, while the lower limit in the curves refer to the minimum primary flow rate)



Heat exchanger [m²]	0,44		0,63		0,84		1,22	
Flow rate [m³/h]	MAX	MIN	MAX	MIN	MAX	MIN	MAX	MIN
	2	1	2	1	2,5	1,25	3	1,5

EXAMPLE OF INSTALLATION WITH BOLLY® MURALE



01	Generator	03	D.H.W. circulation group	05	Thermostatic mixing valve	07	Blowdown valve
02	Heating system circulation group	04	Bolly Murale	06	Hydraulic safety group		