

LISA[®] 22 ELECTRIC BLACK

 EUROPEAN WARRANTY



Color: **T01 MATT BLACK**
with ECO DIGITAL THERMOSTAT

MATERIAL:

- 30x40 mm semi oval vertical collectors in painted mild steel.
- \varnothing 22 mm horizontal heating elements in painted mild steel.
- Heat transfer fluid.

FIXING KIT:

Brackets, hex key, airvent, dowels and screws suitable for use on solid walls or perforated bricks, assembly instructions.
The fixing kit is compliant with VDI 6036 norm, class 4.

PACKING:

Cardboard angular and profiles protected by a recyclable film in polyethylene.

User notice included.

PAINTING PROCESS:

Painted with ecological epoxy powders.
Certificate DIN 55900-1,-2.

COLOR:

T01 MATT BLACK.

ELECTRICAL RESISTORS:

Electrical resistors with black digital thermostat - Class 1 - IP44.
6 main functions: comfort, night, antifreeze, chrono, 2H timer and standby.

ELECTRICAL ONLY

- With digital thermostat

CERTIFICATIONS



ACCESSORIES

For Accessories range see ACCESSORIES CHAPTER



NEW
Towel Bar
Black - T01
Width= 370 mm

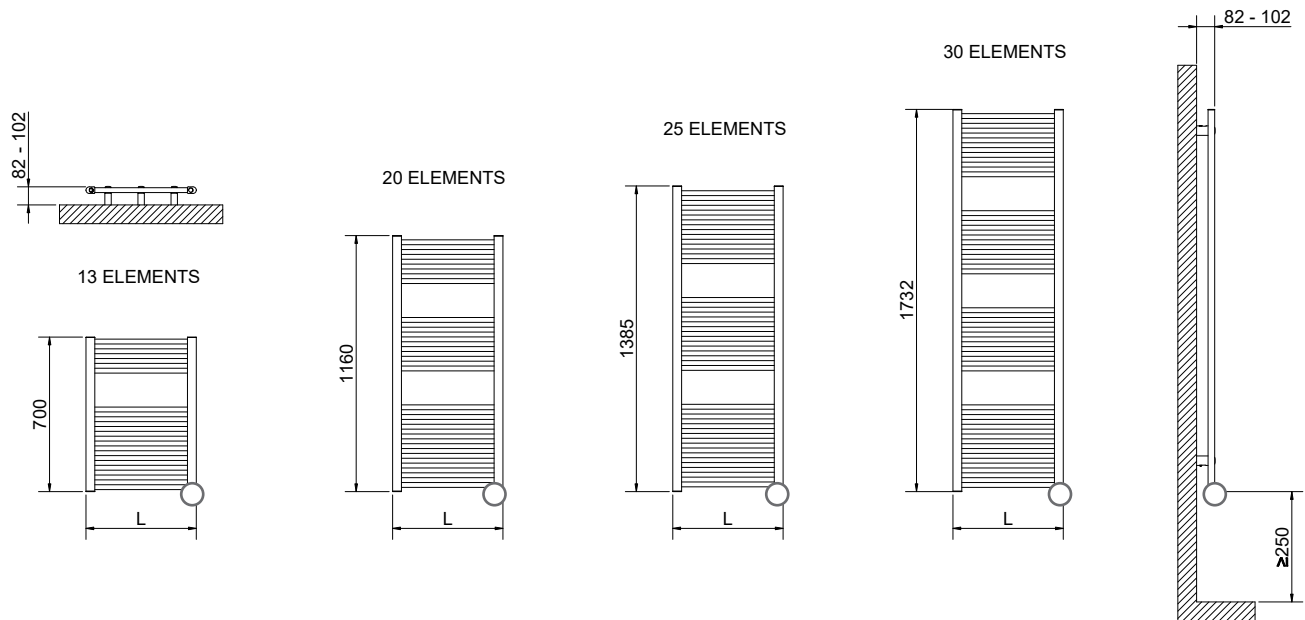


NEW
Kit 2 Hooks
Black - T01

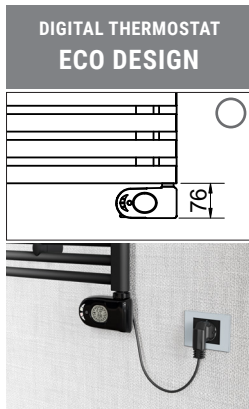
Applicable only for width \geq 450 mm

Art. nr. 5991990310718

Art. nr. 5991990310717



○ The total height has to be calculated considering the thermostat height.

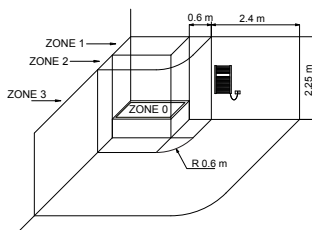


LISA® 22 BLACK ELECTRIC ECO DESIGN

Height [mm]	Width L [mm]	Art. nr. Matt Black T01	Output [Watt]	Weight [Kg]
700	400	3581646100150	300	7,4
	500	3581646100151	400	8,4
1160	400	3581646100152	400	11,2
	450	3581646100153	500	11,9
1385	500	3581646100154	600	12,7
	400	3581646100155	500	13,4
1732	500	3581646100156	700	15,3
	500	3581646100157	900	18,4

ELECTRIC

Cordivari ErP electric radiators are characterised by high efficiency. These models comply with EU Regulation 2024/1103. The seasonal energy efficiency of these fixed electric space heating appliances, with nominal Thermal output >250 W, is over 46% in all models. Each of the ErP electric radiators is equipped with at least electronic temperature control, window opening detection, weekly programming and stand-by power consumption <0.5 W (or 2.0 W in Wi-Fi mode, where applicable).



HOW TO PLACE ELECTRIC RADIATORS

The national rules on installing electrical equipment in the bathroom must be scrupulously respected. The electric radiators must be always installed outside zone 1 and 2.

In particular the electric switch and control elements must be mandatorily located in zone 3, in order that no electrical control center is accessible to anyone using the shower or bath.