

LISA® 22

CHROMED ELECTRIC

CE EUROPEAN WARRANTY



Detail of the version with Thermostat PLUS

ELECTRICAL ONLY:

- With **manual on/off**
- With **digital** thermostat

Material:

- Vertical collectors in mild steel semi oval 30x40 mm.
- Horizontal heating elements in mild steel ø 22 mm.
- Heat transfer fluid.

Fixing kit:

The fixing kit is in compliance with norm VDI 6036, that guarantees maximum resistance, security and stability of the towel rail. Each kit includes brackets, hexagonal tool, plugs and screws suitable for use on either compact or hollow brick walls. For a correct assembly always refer to the user manual supplied.



OPTIONAL



REMOTE CONTROL OF PLUS DIGITAL CHRONO-THERMOSTAT

Remote control of PLUS digital chrono-thermostat functioning

ACCESSORIES

For Accessories range see Accessories chapter



KIT 2 HOOKS CHROMED

Art. nr. 5991990310303



TOWEL BAR CHROMED
Width= 370 mm

Art. nr. 5991990310302

Applicable only for width ≥ 450 mm

Electrical resistors: **Class 1**

Minimum ingress protection: **IP 44 (ECO or PLUS digital thermostat)**
IP 54 (manual on/off)

Wire length: **1200 mm with Schuko plug (ECO or PLUS digital thermostat)**
1100 mm with Schuko plug (manual on/off)

Power supply: **230Vac 50/60Hz**

Seasonal energy efficiency η_s : **38% with ECO or PLUS digital thermostat**

Packing:

Carton angular and profiles protected by a recyclable film in polyethylene. User notice included.

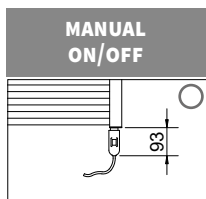
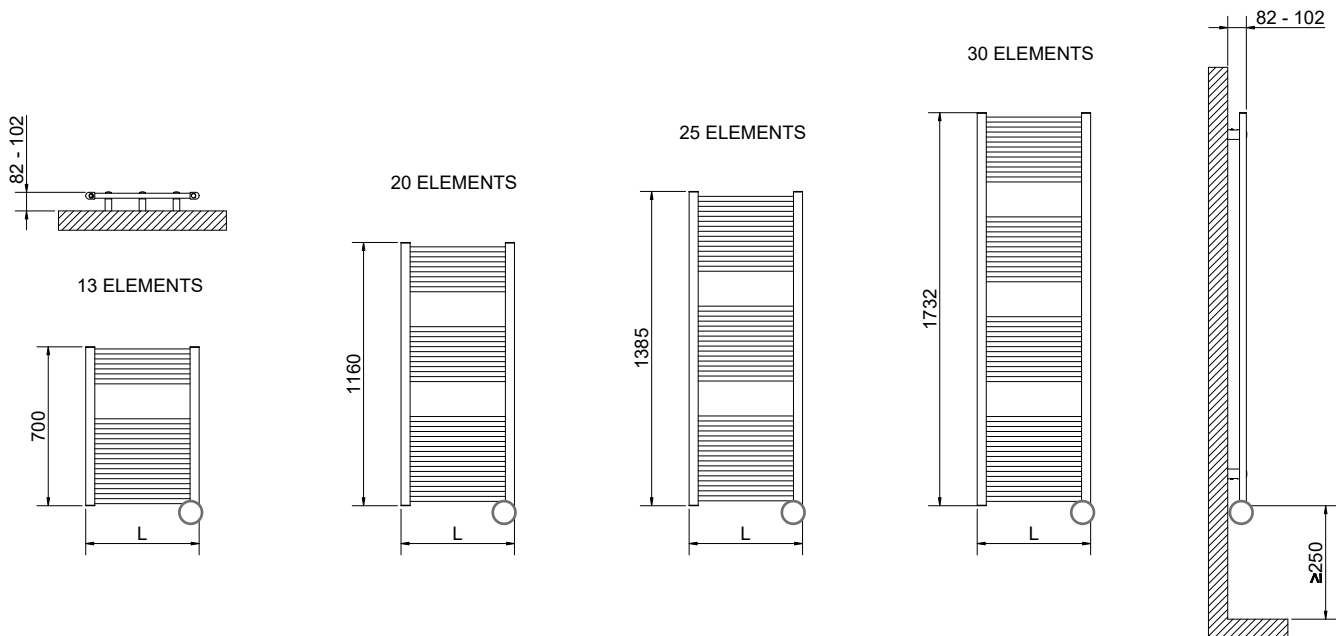
Finishing:

Chrome (PLATED IN ITALY).

Electrical resistors:

Electrical resistors:

- With digital thermostat chromed - Class 1 - IP44.
- 6 functioning modes: comfort, night, antifreeze, chrono, 2H timer and standby.
- With manual on/off manuale on/off (H 700 x L 400) - Class 1 - IP54.

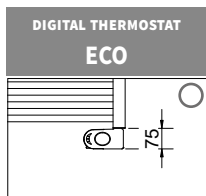


LISA® 22 CHROMED ELECTRIC - WITH MANUAL ON/OFF

Height [mm]	Width L [mm]	Art. nr.	Output [Watt]	Weight [Kg]
700	400	3581646110115	150	7,4



The general footprint has to be calculated considering the dimension of the electrical resistance cap.

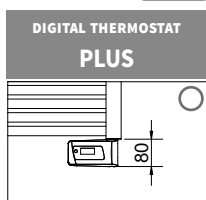


LISA® 22 CHROMED ELECTRIC - WITH ECO DIGITAL THERMOSTAT

Height [mm]	Width L [mm]	Art. nr.	Output [Watt]	Weight [Kg]
1160	400	3581646110116	300	11,2
	450	3581646110117	300	11,9
	500	3581646110118	400	12,7
1385	400	3581646110119	400	13,4
	500	3581646110120	500	15,3
	550	3581646110121	500	18,4
1732	500	3581646110122	600	18

The general footprint has to be calculated considering the thermostat height.

NEW

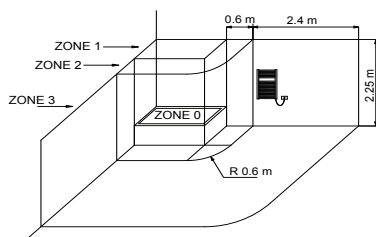


LISA® 22 CHROMED ELECTRIC - WITH PLUS DIGITAL THERMOSTAT

Height [mm]	Width L [mm]	Art. nr.	Output [Watt]	Weight [Kg]
1160	400	3581646110130	300	11,2
	450	3581646110131	300	11,9
	500	3581646110132	400	12,7
1385	400	3581646110133	400	13,4
	500	3581646110134	500	15,3
	550	3581646110135	500	18,4
1732	500	3581646110136	600	18

The general footprint has to be calculated considering the thermostat height.

HOW TO PLACE ELECTRIC RADIATORS



The national rules on installing electrical equipment in the bathroom must be scrupulously respected. The electric radiators must be always installed outside zone 1 and 2. In particular the electric switch and control elements must be mandatorily located in zone 3, in order that no electrical control center is accessible to a anyone using the shower or bath.



All Cordivari electric radiators are in line with the new European regulation UE 2015/1188. The new regulation imposes a seasonal energy efficiency of electrical appliances for ambient heating with a nominal thermal output over 250 W and not less than 38%. Each of the ErP electric radiator is equipped with at least electronic temperature control, window opening detection and weekly programmer.