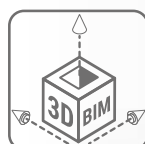


STRATOS[®]4s

S Y S T E M



- 1 Structure of anodized marine grade 15 μm aluminium 6060
- 2 Active HEAT CONTROL system, against overheating, with high efficiency circulator
- 3 Anti-stagnation heat dissipation profile
- 4 Vacuum tube Sydney type with high vacuum grade, minimum 10-3 pa, with highly selective PVD coating
- 5 Sanitary exchanger, corrugated anti-limescale tube in stainless steel Aisi 316L
- 6 Primary circuit store (water and glycol) in stainless steel
- 7 Integration electric heaters
- 8 HEAT MANAGER - smart Wi-Fi controller for remote management of the electric heaters





The **STRATOS® 4S HC SYSTEM**, represents the latest generation of compact solar systems.

Thanks to its patented HEAT CONTROL technology, the system allows to quickly store all the captured energy, managing to retain it for a long time without dispersion and risk of over temperature or freezing during the winter months.



BREVETTATO
PATENTED

MADE IN ITALY

Percorso
Efficienza Innovazione

SOLAR THERMAL SYSTEM **STRATOS® 4S HC**

COMPACT AND HIGH-EFFICIENCY SOLAR THERMAL SYSTEM



Percorso
Efficienza Innovazione



PATENTED

THE **STRATOS® 4S HC SYSTEM**, represents the latest generation of Cordivari compact solar systems.

Thanks to its patented HEAT CONTROL technology, the systems allows to quickly store all the captured energy, managing to retain it for long time without dispersion and risk of over temperature or freezing during the winter months.

STRUCTURE AND MATERIALS

- Frame structure in anodized Marine Grade aluminum
- Support and fixing kit in galvanized steel.
- Capturing system consisting of tubes with Sydney type vacuum technology with highly

selective PVD coating and high vacuum grade (minimum 10⁻³ pa).

- Primary store circuit (water and glycol) in stainless steel AISI 304.
- DHW exchanger in corrugated stainless steel AISI 316L, suitable and certified for drinking water, according to 98/83/CE and subsequent amendments

INCLUDED ACCESSORIES

6 bar safety valve. Fixing kit for flat surfaces (inclination 30°) as well for pitched roofs. Non-toxic heat transfer fluid. Integration electric heaters. Electromechanical time switch

CONNECTIONS

2 threaded female connections of 1/2"

ACCESSORIES

See accessories section

WARRANTY

See general conditions of sale and warranty

P. MAX INPUT	P. MAX ACCUMULATION	T. MAX	T. MIN	INCLINATION SLOPE
4 bar	7,5 bar	100°C	-20°C	10° - 70°

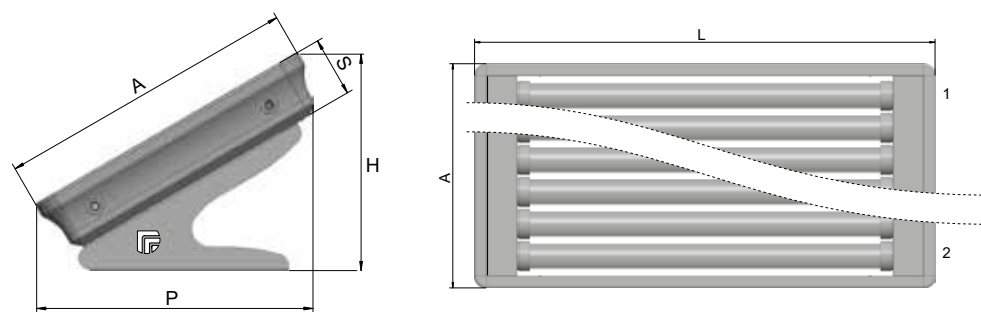


STRATOS® 4S HC SYSTEM

SYSTEM COMPONENTS	INCLUDED	INCLUDED
Heat Manager system	✓	Non-toxic heat transfer fluid
Frame structure in marine grade anodized aluminum 15 um	✓	Integration electric heaters (n°4 for model 120 lt and n°6 for model 180 lt) with set point at 75°C
6 bar safety valve	✓	Automatic anti-stagnation system with high efficiency circulator and thermal switch
Fixing kit for flat surfaces and pitched roofs	✓	

SOLAR THERMAL SYSTEM STRATOS® 4S HC

COMPACT AND HIGH-EFFICIENCY SOLAR THERMAL SYSTEM



Model	No. tubes capturing	L	P	H	A	S	DHW Connections	Surface area Gross	Total weight in operation	Weight/m ² in function
		[mm]						[m ²]	[kg]	[kg/m ²]
120	4	2160	752	589	822	163	1/2" F	1,77	122	69
180	6	2160	951	704	1052	163	1/2" F	2,27	178	78
NEW 210	7	2160	1080	790	1200	163	1/2" F	2,60	203	78

STRATOS® 4S HC SYSTEM

Model	Users	Daily DHW production*	Description	Art. Nr.	Power electric integration heaters** + antifreeze
120		up to 120 lt	HEAT CONTROL 120	3410316603207	1000 watt
180		up to 180 lt	HEAT CONTROL 180	3410316603208	1500 watt
NEW 210		up to 210 lt	HEAT CONTROL 210	3410316603209	1750 watt

* Blended at 42°C with solar energy of 26MJ/m² and mains water at 25°C (without electrical integration)

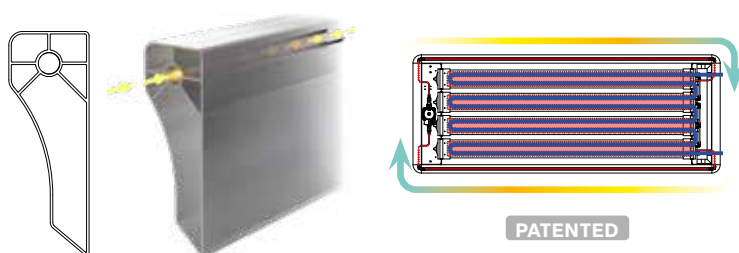
**Electrical integration heaters remotely managed with Heat Manager system.

Before starting the system, fill the system with water (all the pipes are already preloaded with glycol). Installation and filling must be performed with the covered system, only after completing this procedure it will be possible to uncover the system.

For the correct installation, always refer to the enclosed user manual.

COMPACT AND HIGH EFFICIENCY SOLAR THERMAL SYSTEM

The HEAT CONTROL SYSTEM is the new active protection system against over heating of the STRATOS® 4S HC. Thanks to the patented solution for the dissipation of the excess heat through the same structure of the system, the new STRATOS® 4S HC is always safe against over temperature in periods of maximum solar radiation, even in the absence of DHW withdrawal. The system is equipped with sensors that activate a circulation of the primary exchange fluid, that dissipates the excess heat if excessive overheating is detected.



Profile section (patented) with heat dissipation function

PATENTED



www.cordivariheatmanager.com

HEAT MANAGER - SMART CONTROLLER



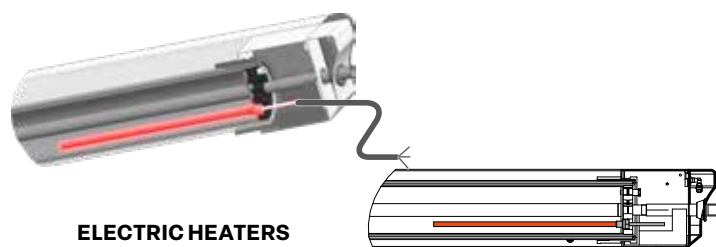
Stratos 4S HC system is equipped with the Smart Controller Wi-Fi HEAT MANAGER for the remote management of the electric heaters by smartphone IOS or Android. Thanks to this app it is possible to manage, to set and to monitor the functioning of the electric heaters easily from the mobile phone, by setting the temperature and the

operating time slots.

HEAT MANAGER is user friendly and intuitive. You just have to install the app and connect the smart controller to your home Wi-Fi network.

THE FIRST SOLAR WATER HEATER

Stratos® 4S HC is the first high efficiency compact solar system with electric integration included. Thanks to the integrated electric heaters, the systems becomes a real solar water heater, able to offer always the maximum comfort, maximum safety and great savings in every season of the year. The electromechanical time switch device is included, for the rational use of the electrical integration.



ELECTRIC HEATERS