

VOLANO BS REVERSO FLANGED

FLOOR STANDING BUFFER TANK FOR HEAT PUMP WITH FLANGED CONNECTIONS FOR LARGE INSTALLATIONS



TECHNICAL DESCRIPTION

VOLANO BS REVERSO FLANGED is used in cooling systems to store cold water and also in heating systems to store hot water at high flow rate.

MATERIAL

Mild steel.

APPLICATION

Buffer either for hot or cold water.

ANTI-CORROSION TREATMENT

The anti-corrosion treatment is not necessary being installed in closed systems.

INSULATION

One layer of anti-condensation insulation plus a second layer of polyester fiber, all covered by an aluminium external cover (which can be dissembled to facilitate passage)

EXTERNAL LINING

Aluminium external cover.

CONNECTION FOR ELECTRIC IMMERSION HEATERS

1"1/2 connection for electric immersion heater.

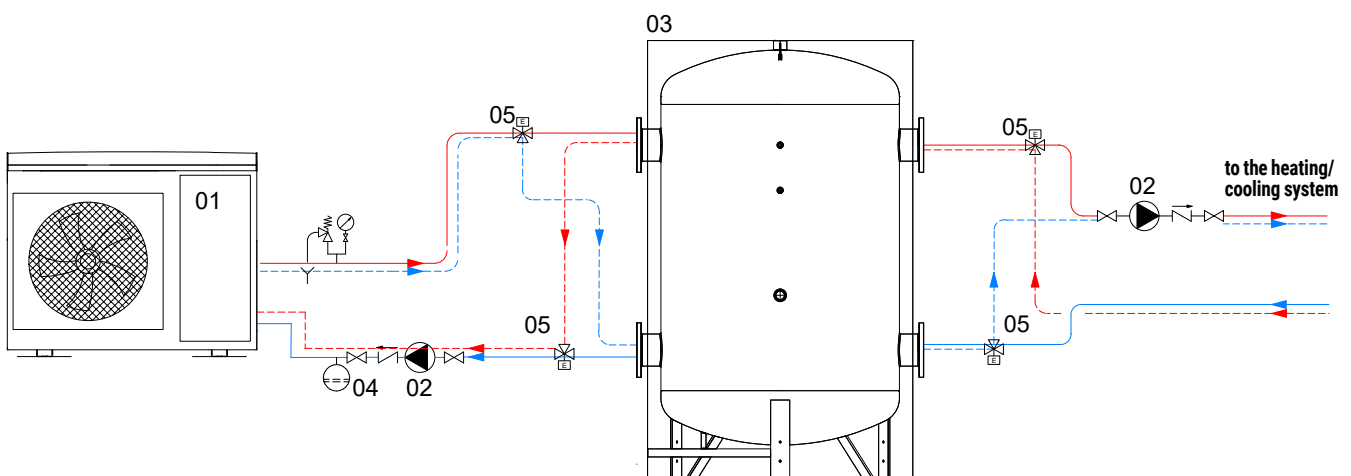
WARRANTY

2 years-See general sales conditions and warranty on Calorifiers and Thermal Storage Export Catalogue Pricelist 11.

VOLANO BS REVERSO GCA FLANGED

Model	HARD FOAM INSULATION
	Art. Nr.
2500	3001162310559
3000	3001162310560
4000	3001162310561
5000	3001162310562

EXAMPLE OF INSTALLATION WITH VOLANO BS REVERSO FLANGED



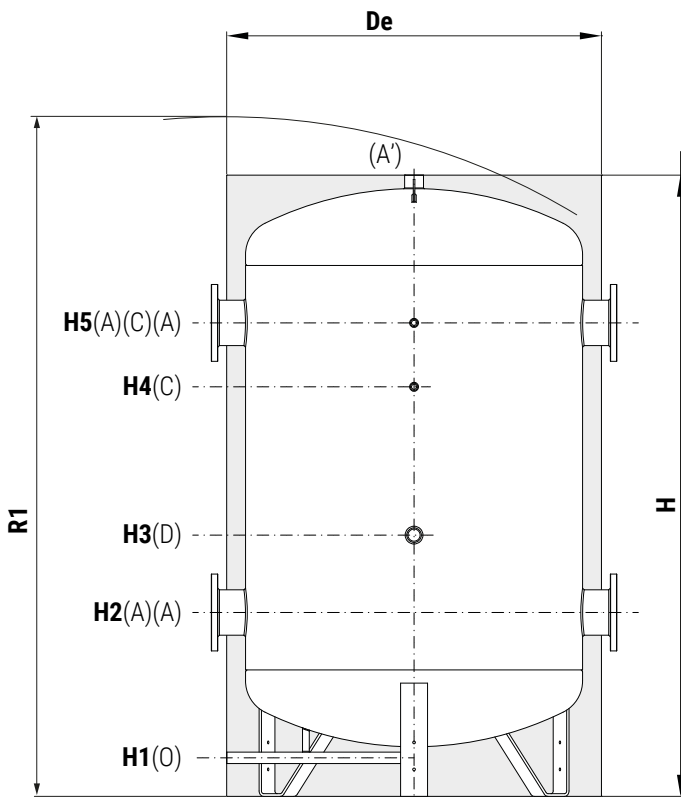
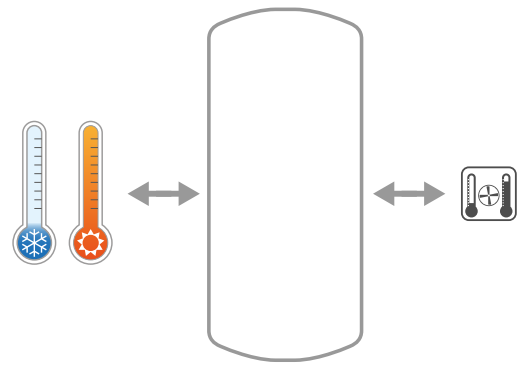
01 Heat pump	03 VOLANO BS REVERSO FLANGED	05 Motorized 3-way valve
02 Circulation group	04 Expansion vessel	

The following schemes are purely illustrative. To realize the installation, always refer to a qualified technician.

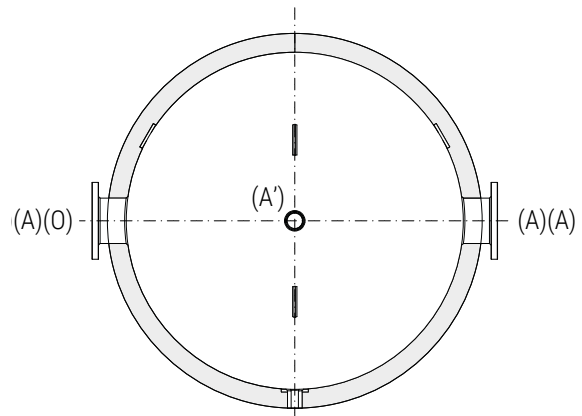
VOLANO BS REVERSO FLANGIATO

FLOOR STANDING BUFFER TANK FOR HEAT PUMP WITH FLANGED CONNECTIONS FOR LARGE INSTALLATIONS

PRESSURE	TEMPERATURE
Pmax 4 bar	Tmin/Tmax -10 / +90 °C



- A** To the System
- A'** To the System
- C** Connection for instrumentation G 1/2" F
- D** Connection for electric immersion heater G 1" 1/2 F
- O** Drain



Products designed and manufactured for using within temperature and pressure limits in accordance to Art. 4.3 Directive 2014/68/EU (P.E.D.)

Model	Weight [Kg]	Volume [lt]	De	H	R1	[mm]					A'	A	D
						H1	H2	H3	H4	H5			
2500	397	2294	1390	2304	2630	143	682	969	1519	1756	1"	DN150 PN16	1" 1/2
3000	432	2988	1540	2378	2770	127	711	998	1448	1785	1"	DN150 PN16	1" 1/2
4000	494	3914	1740	2386	2880	105	719	996	1426	1763	1"	DN150 PN16	1" 1/2
5000	714	4970	1740	2950	3360	105	719	1166	1991	2293	1"	DN150 PN16	1" 1/2