

VOLANO BS CALDO/FREDDO

FLOOR STANDING BUFFER TANK FOR HEATING AND COOLING SYSTEMS WITH TWO INSULATION TYPES



APPLICATION AND TECHNICAL DESCRIPTION

The buffer tanks VOLANO BS CALDO/FREDDO with increased insulation for reversible heating/cooling systems are intended for systems that work for the whole year, in which in summer there is the need to accumulate chilled water and in winter hot heating water.

These accumulators improve the efficiency of the system by limiting the number of hourly ignitions of the generator (whether chiller, heat pump or conventional generator) and, increasing the thermal inertia of the circuit, allowing to obtain more stable operating temperatures.

MATERIAL

Mild steel painted on the outside.

EXTERNAL LINING

Grey PVC external lining with plastic black caps for connections.

INSULATION

Increased insulation: Internal insulation layer with closed cell polyethylene of 20 mm not self-extinguishing fixed to the tank body (not removable) coupled with an external layer of insulation of polyester fiber, thickness with high thermal insulation, material with fire resistance class B s2d0 in accordance with EN13501.

WARRANTY

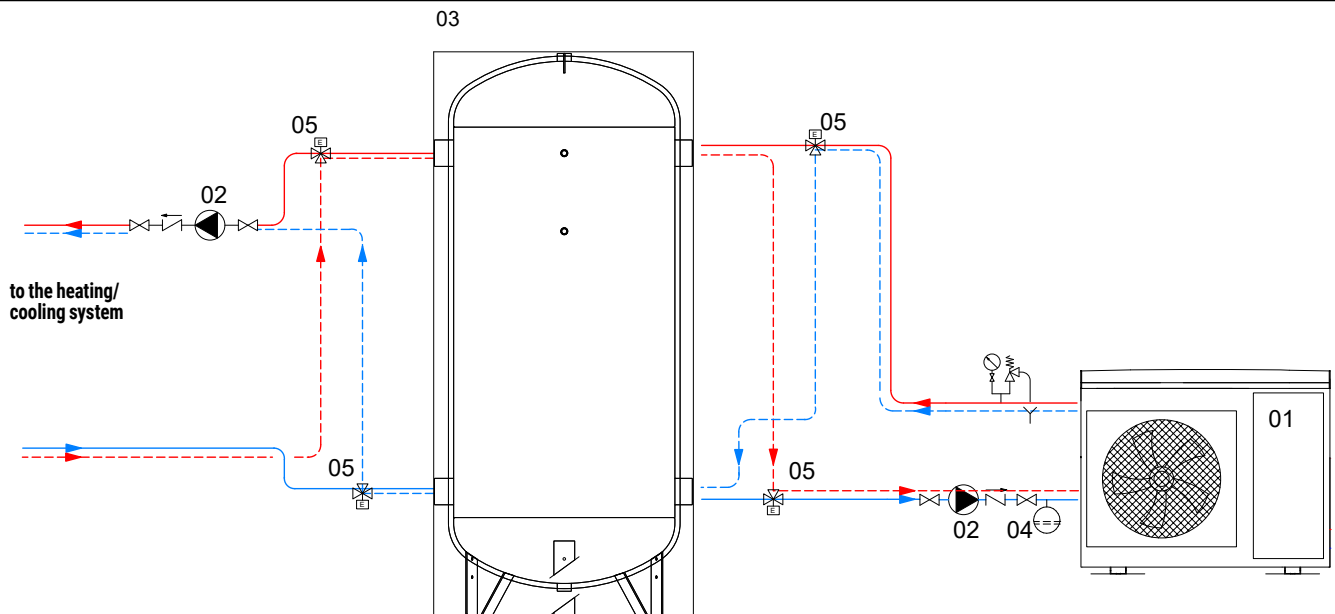
2 years-See general sales conditions and warranty on Calorifiers and Thermal Storage Export Catalogue Pricelist 11.



VOLANO BS GCF

Model	INSULATION	ENERGY EFFICIENCY CLASS	
	Art. Nr.		
	20 mm not self-extinguishing + Polyester fleece		
500	3001162150004		C
800	3001162150005		C
1000	3001162150006		C
1500	3001162150007		C
2000	3001162150008		C
2500	3001162150009		
3000	3001162310510		
4000	3001162310511		
5000	3001162310512		

EXAMPLE OF INSTALLATION WITH VOLANO BS CALDO/FREDDO



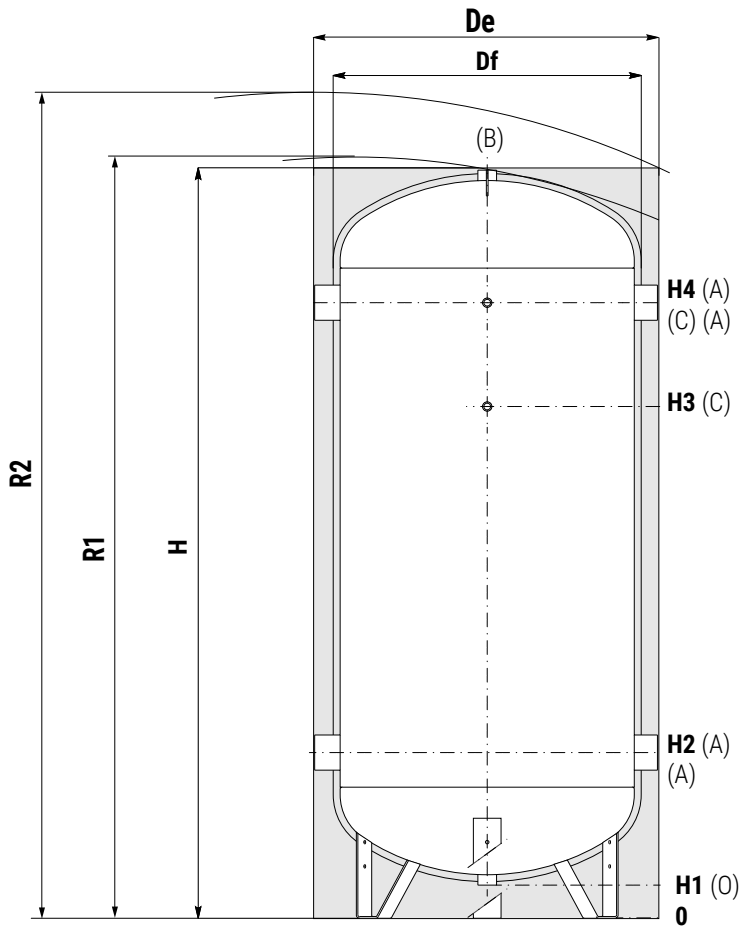
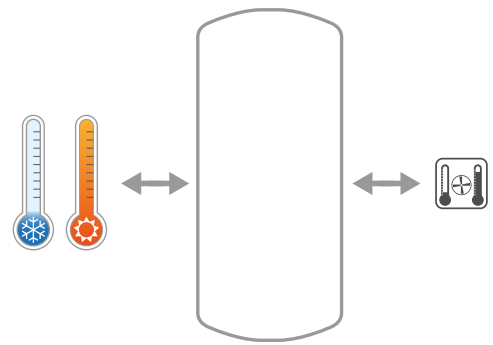
- | | | |
|----------------------|---------------------------|--------------------------|
| 01 Generator | 03 VOLANO BS CALDO-FREDDO | 05 Motorized 3-way valve |
| 02 Circulation group | 04 Expansion vessel | |

The following schemes are purely illustrative. To realize the installation, always refer to a qualified technician.

VOLANO BS CALDO/FREDDO

FLOOR STANDING BUFFER TANK FOR HEATING AND COOLING SYSTEMS WITH TWO INSULATION TYPES

PRESSURE	TEMPERATURE
Pmax	Tmin/Tmax
6 bar	-10 / +90 °C



A	To the System
B	Safety Valve
C	Connection for instrumentation G 1/2" F
O	Drain

Products designed and manufactured for using within temperature and pressure limits in accordance to Art. 4.3 Directive 2014/68/EU (P.E.D.)

Model	Weight [Kg]	Volume [lt]	Df	De	H	R1	R2	H1	H2	H3	H4
500	101	501	690	910	1810	1821	2030	121	441	1241	1491
800	147	788	790	1010	2108	2119	2340	108	458	1458	1758
1000	170	1034	890	1110	2162	2178	2440	96	479	1479	1779
1500	183	1432	990	1250	2351	2386	2670	121	490	1700	2000
2000	219	1970	1140	1400	2421	2437	2800	105	509	1719	2019
2500	274	2300	1290	1390	2289	2304	2680	149	619	1519	1819
3000	321	2908	1290	1390	2804	2826	3130	149	619	1919	2319
4000	442	3749	1440	1540	2878	2904	3270	133	648	1948	2348
5000	565	4964	1640	1740	2916	2948	3400	111	656	1956	2356

B-O	A
Connections F	
1"1/4	3"
1"1/4	3"
1"1/2	3"
2"	3"
2"	3"
2"	4"
2"	4"
2"	4"
2"	4"