

GLORIA 22

BLOWER DUAL ENERGY



Color: RAL 7001 - R21 Silver grey

FEATURES

- P. max: 8 bar

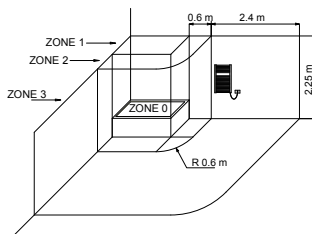
- T. max: 110°C

- Connections: n° 2 x 1/2" G - 1 x 1/2" G

- Minimum ingress protection: IP 24

- Wire lenght: 1100 mm with Schuko plug

HOW TO PLACE ELECTRIC RADIATORS



The national rules on installing electrical equipment in the bathroom must be scrupulously respected. The electric radiators must be always installed outside zone 1 and 2. In particular the electric switch and control elements must be mandatorily located in zone 3, in order that no electrical control center is accessible to a anyone using the shower or bath.

MATERIAL:

- Ø 30 mm vertical collectors in painted mild steel.
- Ø 22 mm horizontal heating elements in painted mild steel.

ELECTRIC MODULE FOR VENTILATED FUNCTION:

Fan heater with integrated PID electronic controller; with presence / absence detector, Open window detector; self-learning and self-programming function optimized with priority on comfort or energy saving. Power 1000 Watt - 230 V 50 Hz • On / Off Switch • Temperature settings: + 16°C to + 19°C.

FIXING KIT:

Brackets, hex key, airvent, dowels and screws suitable for use on solid walls or perforated bricks, assembly instructions. The fixing kit is compliant with VDI 6036 norm, class 4.

PACKAGING:

The radiator is protected by recyclable cardboard box. User notice included.

PAINTING PROCESS:

Painted with ecological epoxy powders (Certificate DIN 55900-1,-2).

COLORS:

See color chart.

FUNCTIONING

- Electric
- With Blower electric module
- Blower dual energy

CERTIFICATES



Cordivari ErP electric radiators are characterised by high efficiency. These models comply with EU Regulation 2024/1103. The seasonal energy efficiency of these fixed electric space heating appliances, with nominal Thermal output >250 W, is over 46% in all models. Each of the ErP electric radiators is equipped with at least electronic temperature control, window opening detection, weekly programming and stand-by power consumption <0.5 W (or 2.0 W in Wi-Fi mode, where applicable).

OPTIONAL



RF WIRELESS Remote Control

Remote control of "BLOWER" functioning ventilated

AVAILABLE ACCESSORIES

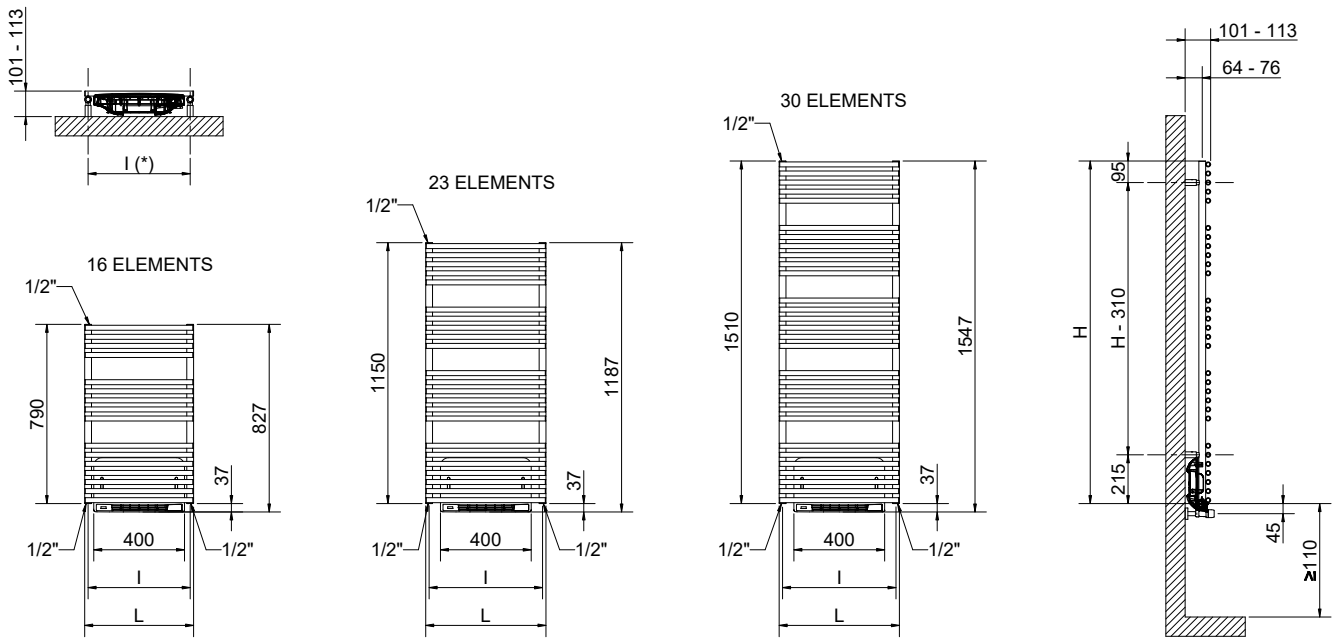


Kristal valve Total Color, angled with thermostatic option, colored



Thermostatic head Kristal TC fully colored

Complete list, codes and details of the ACCESSORIES



(*) Pipe center (I) measure of the fixing kit

GLORIA 22 BLOWER DUAL ENERGY

Height	Width	Pipe Centres	Art. nr.	Dry Weight	Surface	Water content	Thermal output		Exp.	Blower Output
							Δt 50°C	Δt 30°C		
[mm]	L [mm]	I [mm]	R01 White	[Kg]	[m ²]	[lt]	[Watt]	[Watt]	n	[Watt]
790	480	450	3581666100030	10,7	0,66	3,1	302	164	1,1941	1000
1150	530	500	3581666100031	14,3	1,03	5	460	247	1,2153	1000
1510	530	500	3581666100032	17,3	1,32	6,5	591	318	1,2157	1000

The codes shown in the table refer to the R01 White color models

For output at different ΔT , please refer to the following formula: $\text{desired output} = \text{output at } \Delta T 50 \times (\text{Desired } \Delta t / 50)^n$