



ROSY MAX



**EUROPEAN
WARRANTY**

MATERIAL:

- Horizontal collectors in painted mild steel ϕ 38 mm.
- Double vertical heating elements in painted mild steel 50x10 mm.

FIXING KIT:

Brackets, airvent, hexagonal tool, plugs and screws for mounting suitable for use on compact or hollow brick, user notice.

PACKAGING:

Carton angular and profiles protected by a recyclable film in polyethylene. User notice included.

PAINTING PROCESS:

Painted with ecological epoxy powders (Certificate DIN 55900-1,-2).

COLOURS:

See colour chart.

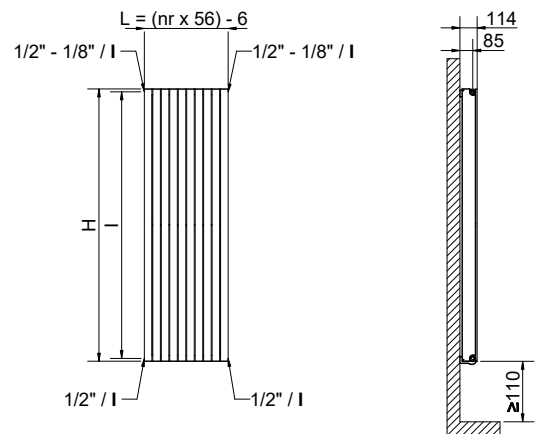
ACCESSORIES:

For the complete list, please refer to the accessories chapter.

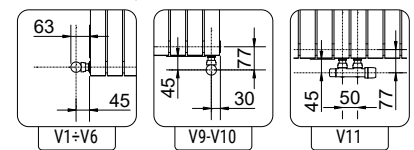
| Height H [mm] | 390 | 540 | 640 | 840 | 940 | 1800 | 2000 |
|--|--------|--------|--------|--------|--------|--------|--------|
| Therm. output per el. $\Delta t = 50^\circ\text{C}$ [Watt] | 62,6 | 83 | 96,2 | 121,6 | 133,9 | 232,2 | 253,5 |
| Therm. output per el. $\Delta t = 30^\circ\text{C}$ [Watt] | 32,4 | 42,9 | 49,6 | 62,4 | 68,6 | 118,3 | 129,4 |
| Dry Weight per section [kg] | 1,393 | 1,882 | 2,207 | 2,859 | 3,185 | 5,987 | 6,639 |
| Element water content [lt] | 0,535 | 0,698 | 0,806 | 1,023 | 1,132 | 2,065 | 2,282 |
| Element surface [m ²] | 0,154 | 0,208 | 0,244 | 0,316 | 0,352 | 0,661 | 0,733 |
| Exp. n | 1,2866 | 1,2930 | 1,2972 | 1,3057 | 1,3100 | 1,3201 | 1,3160 |
| Pipe centres l [mm] (V3-V4 only) | 350 | 500 | 600 | 800 | 900 | 1760 | 1960 |

For output at different ΔT , please refer to the following formula: desired output = output at $\Delta T 50^\circ\text{C} \times (\text{desired } \Delta T / 50)^\text{n}$

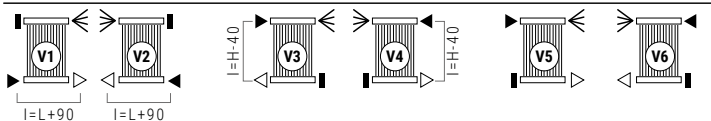
P. Max: 5 bar T. Max: 110° C
Functioning: hot water Connections: n° 2 x 1/2" G - n° 1 da 1/8" G



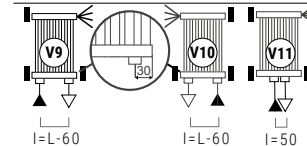
Quotes for Kristal valves



STANDARD CONNECTIONS WITHOUT SURCHARGE



SPECIAL CONNECTIONS



LEGENDA: ► In ▷ Out ◀ airvent H Height l pipe centres L width □ connection ■ welded cap

Always specify the kind of connection needed when ordering.
Bidirectional pipe connection not available

HOW TO ORDER THE RADIATOR ROSY MAX

| ARTICLE NR. STRUCTURE | Radiator model | Nr of Elements | Height in cm | Code of the connection | Code of the colour | Constant value |
|-----------------------|----------------|----------------|--------------|------------------------|--------------------|----------------|
| AAAA | BB | CCC | DDD | EEE | A | |

| EXAMPLE | Radiator model E.g.: Rosy MAX | Nr of Elements E.g.: 12 elements | Height in cm Example: 1800 mm | Code of the connection Example: connection V1 | Code of the colour Example: R01 - White | Constant value |
|---------|----------------------------------|-------------------------------------|----------------------------------|--|--|----------------|
| | RX50 | 12 | 180 | V01 | R01 | A |

EXAMPLE OF ARTICLE CODE CREATION

In the case of a radiator:
RX50 ROSY MAX
12 12 elements (see the table shown on the side)
180 Height 1800 mm (see the table shown on the side)
V01 connection V1
R01 colour R01 - White (see page 486)
A (Constant value)
 The article code will be:
RX50 12 180 V01 R01 A

ACCESSORIES

If ordered separately from the radiator, the accessories are available in standard white only

Kristal valve square with thermostatic option white R01

Copper conn. ϕ 12/14/15
Art. nr. 5991990311161

Multilayer conn. ϕ 16
Art. nr. 5991990311160

Kristal valve square pipe centres 50 mm right white R01

Copper conn. ϕ 12/14/15
Art. nr. 5991990311186

Multilayer conn. ϕ 16
Art. nr. 5991990311185

Thermostatic head white

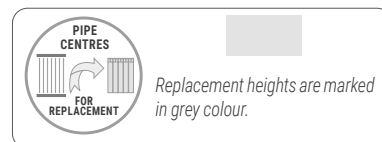
(Kit 2 pieces)
Art. nr. 5035270710016

Art. nr. are referred to colour WHITE R01



ROSY MAX

| Height H [mm] | | 390 | 540 | 640 | 840 | 940 | 1800 | 2000 |
|---------------|--------|------------------------------------|------------------------------------|------------------------------------|------------------------------------|------------------------------------|------------------------------------|------------------------------------|
| Width L [mm] | N° El. | Watt $\Delta t=50^{\circ}\text{C}$ | Watt $\Delta t=50^{\circ}\text{C}$ | Watt $\Delta t=50^{\circ}\text{C}$ | Watt $\Delta t=50^{\circ}\text{C}$ | Watt $\Delta t=50^{\circ}\text{C}$ | Watt $\Delta t=50^{\circ}\text{C}$ | Watt $\Delta t=50^{\circ}\text{C}$ |
| 274 | 5 | 313 | 415 | 481 | 608 | 670 | 1161 | 1268 |
| 330 | 6 | 376 | 498 | 577 | 730 | 803 | 1393 | 1521 |
| 386 | 7 | 438 | 581 | 673 | 851 | 937 | 1625 | 1775 |
| 442 | 8 | 501 | 664 | 770 | 973 | 1071 | 1858 | 2028 |
| 498 | 9 | 563 | 747 | 866 | 1094 | 1205 | 2090 | 2282 |
| 554 | 10 | 626 | 830 | 962 | 1216 | 1339 | 2322 | 2535 |
| 610 | 11 | 689 | 913 | 1058 | 1338 | 1473 | 2554 | 2789 |
| 666 | 12 | 751 | 996 | 1154 | 1459 | 1607 | 2786 | 3042 |
| 722 | 13 | 814 | 1079 | 1251 | 1581 | 1741 | 3019 | 3296 |
| 778 | 14 | 876 | 1162 | 1347 | 1702 | 1875 | 3251 | 3549 |
| 834 | 15 | 939 | 1245 | 1443 | 1824 | 2009 | | |
| 890 | 16 | 1002 | 1328 | 1539 | 1946 | 2142 | | |
| 946 | 17 | 1064 | 1411 | 1635 | 2067 | 2276 | | |
| 1002 | 18 | 1127 | 1494 | 1732 | 2189 | 2410 | | |
| 1058 | 19 | 1189 | 1577 | 1828 | 2310 | 2544 | | |
| 1114 | 20 | 1252 | 1660 | 1924 | 2432 | 2678 | | |
| 1170 | 21 | 1315 | 1743 | 2020 | 2554 | 2812 | | |
| 1226 | 22 | 1377 | 1826 | 2116 | 2675 | 2946 | | |
| 1282 | 23 | 1440 | 1909 | 2213 | 2797 | 3080 | | |
| 1338 | 24 | 1502 | 1992 | 2309 | 2918 | 3214 | | |
| 1394 | 25 | 1565 | 2075 | 2405 | | | | |
| 1450 | 26 | 1628 | 2158 | 2501 | | | | |
| 1506 | 27 | 1690 | 2241 | 2597 | | | | |
| 1562 | 28 | 1753 | 2324 | 2694 | | | | |
| 1618 | 29 | 1815 | 2407 | 2790 | | | | |
| 1674 | 30 | 1878 | 2490 | 2886 | | | | |
| 1730 | 31 | 1941 | 2573 | 2982 | | | | |
| 1786 | 32 | 2003 | 2656 | 3078 | | | | |



LATERAL COVER CASE AVAILABLE UPON REQUEST

LATERAL CARTER

| Height H [mm] | Art. nr. |
|---------------|---------------|
| 390 | 5103000000120 |
| 540 | 5103000000121 |
| 640 | 5103000000122 |
| 840 | 5103000000123 |
| 940 | 5103000000124 |

HEIGHTS 1800 AND 2000 INCLUDES LATERAL CARTER

ARDESIA®

TOWEL RAILS

ELECTRIC

STAINLESS STEEL

RADIATORS

VENTILATION RADIATORS

MYWAY® ACCESSORIES AND TECHNICAL SUPPORT