

SOLAR THERMAL SYSTEM STRATOS® DR WITH BOLLYTERM® HOME



NEW



The solar thermal system **STRATOS® DR WITH BOLLYTERM® HOME**, for DHW production, it's composed of the compact solar thermal system STRATOS® DR and the BOLLYTERM® HOME calorifier with fixed heat exchanger.

CHARACTERISTICS OF THE STRATOS® DR

Aluminum profile, anodizing treatment included. Tempered glass according to EN 12150, tested against impact according to EN 12976. Bottoms

and walls with high insulation power (λ 0,023 W/mk), thickness 30 mm.

CALORIFIER

Model **BOLLYTERM® HOME** Water heater with integrated heat pump.

Tank in carbon steel.

Internal Polywarm coating, suitable for drinking water according to 98/83/CE and subsequent amendments and DHW certifications ACS-SSICA-

DVGW-W270-UBA-WRAS.

1500 watt electrical heater included.

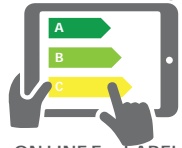
Rigid insulation of polyurethane foam with high thermal insulation. External lining in painted steel and ABS cover.

Tested in accordance with European standard EN 12897:2006.

WARRANTY

5 years - See general sales and warranty conditions

cordivari.com/erp



ON LINE ErP LABEL TOOL

SYSTEM COMPONENTS

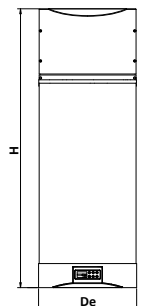
INCLUDED

STRATOS® DR - Compact solar thermal system with direct heating	✓
BOLLYTERM® HOME heat pump water heater	✓
Frame structure anodized marine grade aluminum	✓
6 bar safety valve	✓
5-way diverting / mixing valve	✓
Vacuum break valve	✓
Nr. 1 Cap of 1"1/4 gas M + Nr. 1 Cap of 1/2" gas M	✓
Fixing kit for flat surfaces (42°) and pitched roofs	✓
1500 watt electrical heater	✓

ALWAYS ASK FOR CERTIFIED LABORATORIES DATA RESULTS

CORDIVARI Lab

TÜV Rheinland Energie und Umwelt GmbH states that test procedures and Cordivari LAB are certified conforming to European standard EN 15332, as indicated by EArt. Nr.sign ErP Directive.

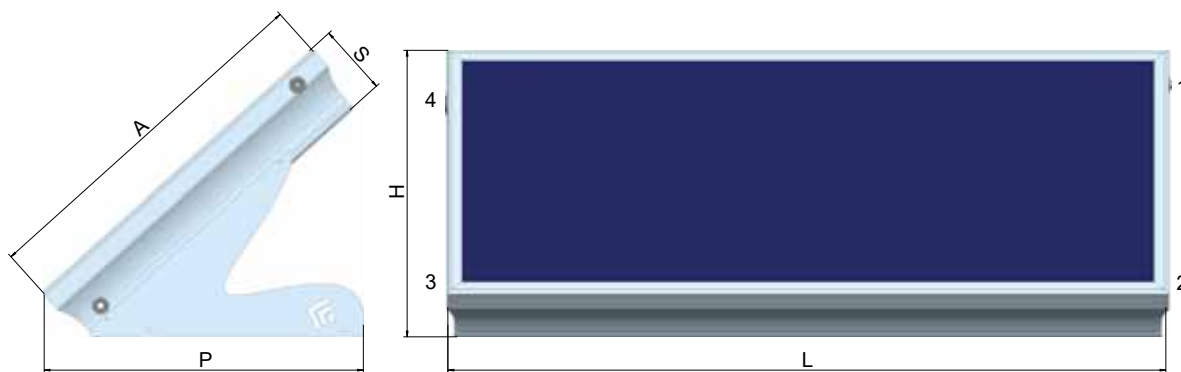


BOLLYTERM® HOME

MODEL	Volume	De	H	ENERGY EFFICIENCY CLASS
	[liters]	[mm]		
80	80	480	1208	A+
110	102,5	480	1393	A+

For more information and technical data of the calorifiers and buffer tanks please refer to the Cordivari Calorifiers and buffer tanks catalogue.

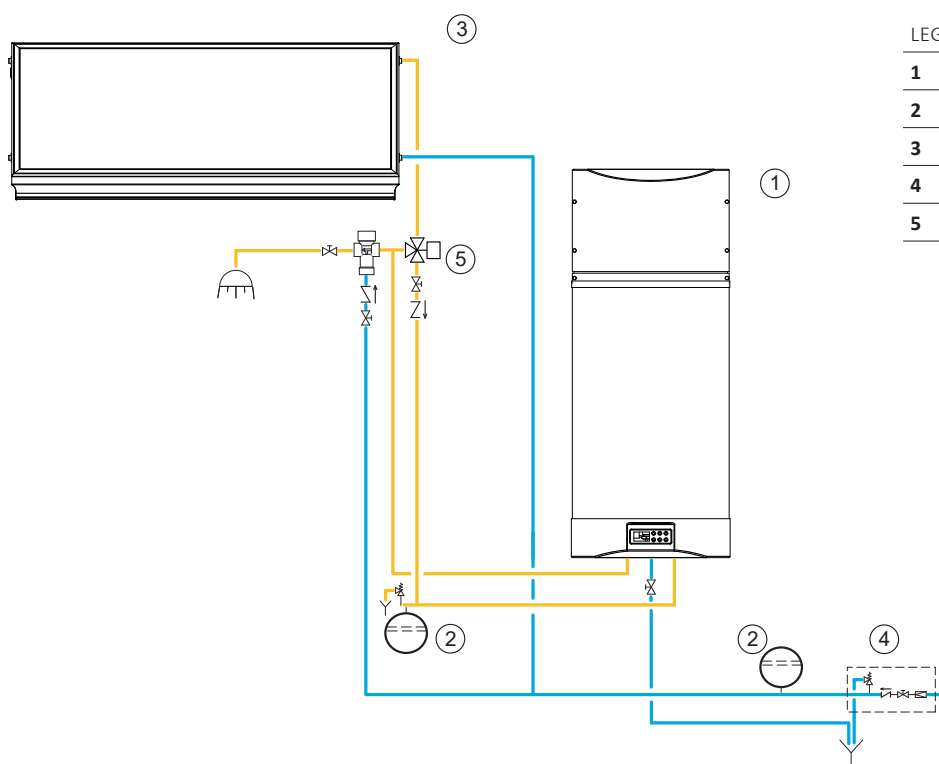
SOLAR THERMAL SYSTEM STRATOS® DR WITH BOLLYTERM® HOME



Model	L	P	H	A	S	Connections			Gross surface area	Empty weight	Weight per m ² In function
	[mm]					1	2-3	4	[m ²]	[kg]	[kg/m ²]
180	2288	926	736	882	198	1" 1/4 Gas F	1/2" Gas F	1/2" Gas F	2,02	62	117
260	2288	926	935	1192	198	1" 1/4 Gas F	1/2" Gas F	1/2" Gas F	2,73	84	120

STRATOS® DR WITH BOLLYTERM® HOME

Stratos® DR	Calorifier	Calorifier model	Description	Art. Nr.
180	BOLLYTERM® HOME	80	STRATOS DR 180-B.T.HOME 80 WB	3410316619026
260	BOLLYTERM® HOME	110	STRATOS DR 260-B.T.HOME 110 WB	3410316619033



LEGEND

- 1 BOLLYTERM® HOME heat pump water heater
- 2 Expansion vessel
- 3 Stratos® DR
- 4 Hydraulic safety group
- 5 5-way diverting / mixing valve

NOTE: The shown installation examples are for illustrative purposes only. For the correct configuration always refer to a qualified installer.