

SOLAR THERMAL SYSTEM STRATOS® DR WITH BOLLY® HY



NEW



The solar thermal system **STRATOS® DR WITH BOLLY® HY**, for DHW production, it's composed of the compact solar thermal system STRATOS® DR and the BOLLY® HY, calorifier with fixed heat exchanger.

CHARACTERISTICS OF THE STRATOS® DR

Aluminum profile, anodizing treatment included. Tempered glass according to EN 12150, tested against impact according to EN 12976. Bottoms

and walls with high insulation power (λ 0,023 W/mk), thickness 30 mm.

CALORIFIER

Model **BOLLY® HY** hybrid calorifier for DHW with integrated hydraulic separator for heat pumps. Tank in carbon steel.

Internal Polywarm coating, suitable for drinking water according to 98/83/CE and subsequent amendments and DHW certifications ACS-SSICA-

DVGW-W270-UBA-WRAS.

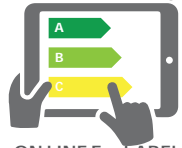
Connections for integration of electrical heater Rigid insulation of polyurethane foam with high thermal insulation. External PVC cover.

Tested in accordance with European standard EN 12897:2006.

WARRANTY

5 years - See general sales and warranty conditions

cordivari.com/erp



ON LINE ErP LABEL TOOL

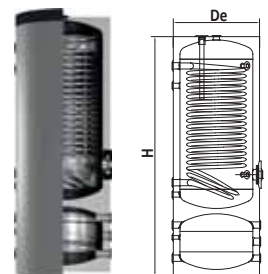
SYSTEM COMPONENTS

SYSTEM COMPONENTS	INCLUDED
STRATOS® DR - Compact solar thermal system with direct heating	✓
BOLLY® HY calorifier	✓
Frame structure anodized marine grade aluminum	✓
6 bar safety valve	✓
5-way diverting / mixing valve	✓
Vacuum break valve	✓
Nr. 1 Cap of 1"1/4 gas M + Nr. 1 Cap of 1/2" gas M	✓
Fixing kit for flat surfaces (42°) and pitched roofs	✓

ALWAYS ASK FOR CERTIFIED LABORATORIES DATA RESULTS

CORDIVARI Lab

TUV Rheinland Energie und Umwelt GmbH states that test procedures and Cordivari LAB are certified conforming to European standard EN 15332, as indicated by EArt. Nr.sign ErP Directive.



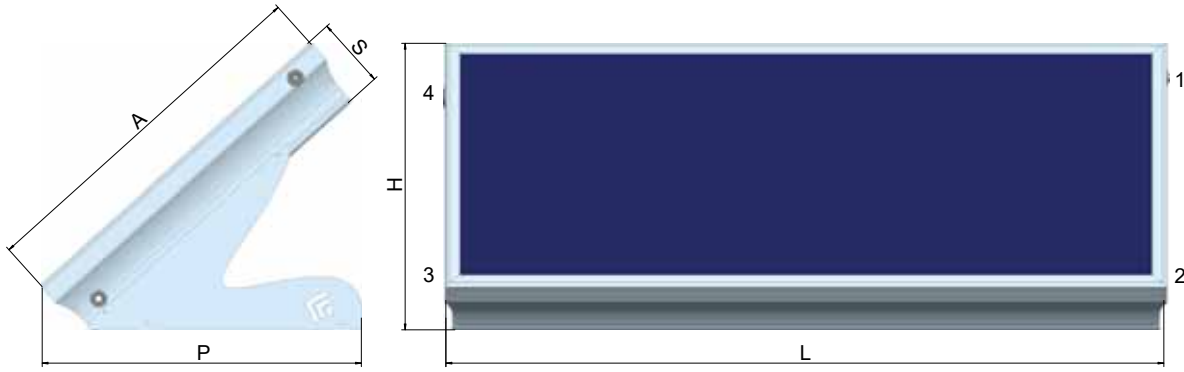
BOLLY® HY

MODEL	ENERGY EFFICIENCY CLASS	
	De	H
	[mm]	
300	650	1805
500	750	1910
		B C

For more information and technical data of the calorifiers and buffer tanks please refer to the Cordivari Calorifiers and buffer tanks catalogue.



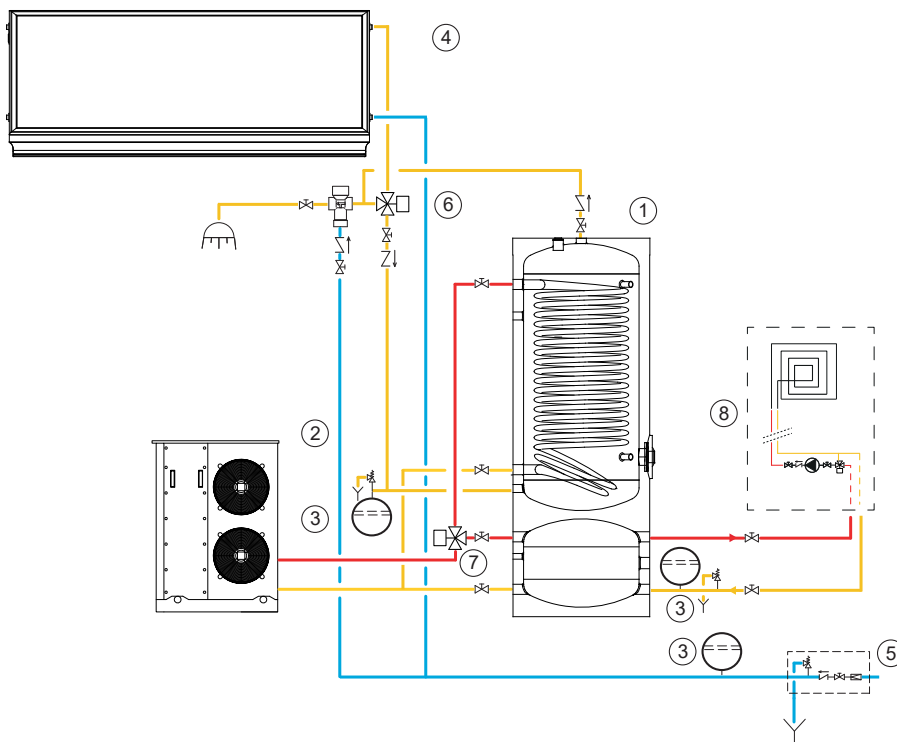
SOLAR THERMAL SYSTEM STRATOS® DR WITH BOLLY® HY



Model	L	P	H	A	S	Connections			Gross surface area [m ²]	Empty weight [kg]	Weight per m ² In function [kg/m ²]
						1	2-3	4			
180	2288	926	736	882	198	1" 1/4 Gas F	1/2" Gas F	1/2" Gas F	2,02	62	117
260	2288	926	935	1192	198	1" 1/4 Gas F	1/2" Gas F	1/2" Gas F	2,73	84	120

STRATOS® DR WITH BOLLY® HY

Stratos® DR	Calorifier	Calorifier model	Description	Art. Nr.
180	BOLLY® HY	300	STRATOS DR 180-B1 HY 300 WB	3410316619027
260	BOLLY® HY	500	STRATOS DR 260-B1 HY 500 WB	3410316619034



LEGEND

- 1 Calorifier BOLLY® HY
- 2 Heat pump
- 3 Expansion vessel
- 4 Stratos® DR
- 5 Hydraulic safety group
- 6 5-way diverting / mixing valve
- 7 Diverting valve
- 8 Heating and cooling system

NOTE: The shown installation examples are for illustrative purposes only. For the correct configuration always refer to a qualified installer.