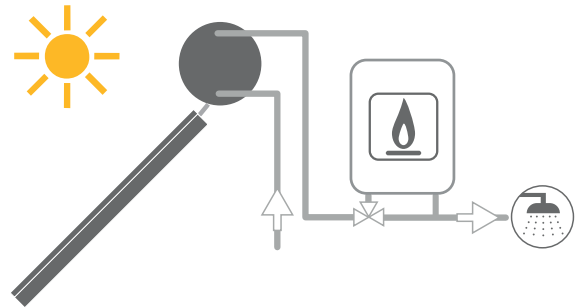


PANAREA SYSTEM

THERMOSIPHON SOLAR SYSTEM FOR DOMESTIC HOT WATER PRODUCTION



The Solar Thermal System **PANAREA** is the most practical and economic solution, due to its reliability and because of an easy and quick installation.

SOLAR COLLECTOR

- Insulation in mineral wool
- Anodized aluminum structure
- Highly selective absorber
- Impact test according to EN 12975 and EN 9806
- Tempered glass according to EN 12150
- Certified by Dubai Municipality

CALORIFIER

- **INTERKA POLYWARM® FOR PANAREA** with capacity from 150 to 300 lt
- Mild steel
- Internal Polywarm coating, suitable for drinking water according to 98/83/CE and subsequent amendments and DHW certification of internal Polywarm treatment DHW - SSICA - DVGW -W270 - UBA - WRAS
- Double walled heat exchanger
- High thermal insulation with ecological polyurethane hard foam and steel external lining, upper top and flange cover in steel.

- Fixing kit for flat or pitched roof galvanized according to UNI EN 1179 (99,9 % PURE ZINC)

ACCESSORIES

See accessories section

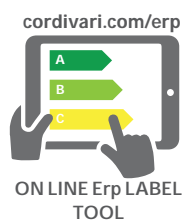
WARRANTY

5 years - See general sales and warranty conditions

ACCESSORIES ON REQUEST



Heating element

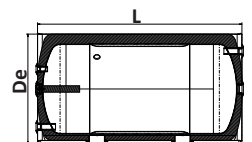


ON LINE ErP LABEL TOOL

ALWAYS ASK FOR CERTIFIED LABORATORIES DATA RESULTS

CORDIVARI Lab

TUV Rheinland Energie und Umwelt GmbH states that test procedures and Cordivari LAB are certified conforming to European standard EN 15332, as indicated by EArt. Nr.sign ErP Directive.



SYSTEM COMPONENTS

INCLUDED

Highly selective solar collector	✓
INTERKA POLYWARM® FOR PANAREA calorifier	✓
Magnesium Anode	✓
Security valve and check valve	✓
Non-toxic heat transfer fluid	✓
Fittings	✓
Fixing kit for flat or pitched roofs	✓

INTERKA POLYWARM® FOR PANAREA

ENERGY EFFICIENCY CLASS

MODEL	L	De	TESTED ErP
	[mm]		
150	1040	550	C
200	1300	550	C
300	1839	550	C

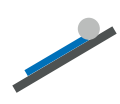
For more information and technical data of the calorifiers and buffer tanks please refer to the Cordivari Calorifiers and buffer tanks catalogue.

PANAREA SYSTEM

THERMOSIPHON SOLAR SYSTEM FOR DOMESTIC HOT WATER PRODUCTION



Calorifier type:
INTERKA POLYWARM®



PITCHED ROOF



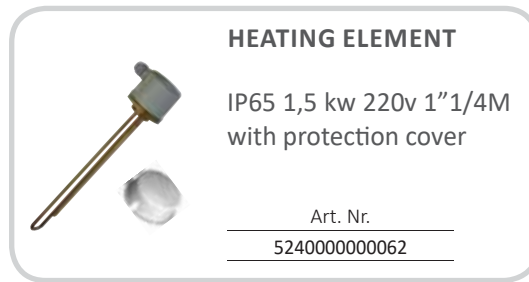
FLAT ROOF

Calorifier model	Nr. of collectors m ²	Total surface area m ²	Nr. Recommended users	Description/ Art. Nr.	Description/ Art. Nr.
150	1x2	2	1-3 ^(*)	150/2 TF	150/2 TP
				3410316603070	3410316603110
200	1x2	2	3-4 ^(*)	200/2 TF	200/2 TP
				3410316603071	3410316603111
200	2x2	4	4-5	200/4 TF	200/4 TP
				3410316603072	3410316603112
300	2x2	4	5-6 ^(*)	300/4 TF	300/4 TP
				3410316603073	3410316603113
300	2x2,5	5	5-6	300/5 TF	300/5 TP
				3410316603074	3410316603114
300	3x2	6	6-7	300/6 TF	300/6 TP
				3410316603075	3410316603115

^(*)Systems designed for use in areas with high annual sun irradiation more than **1600 Kw/h m²**.



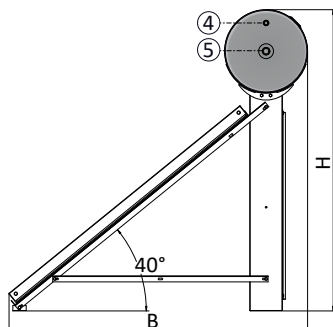
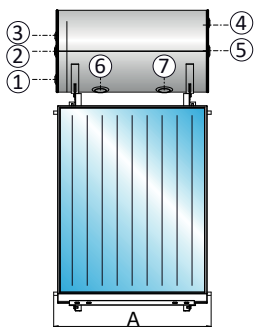
ELECTRIC HEATER COVER



HEATING ELEMENT

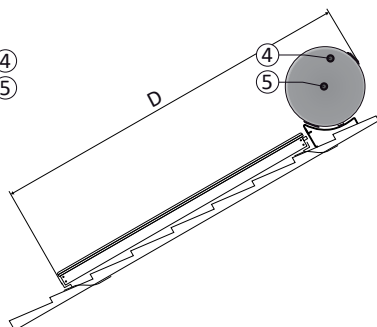
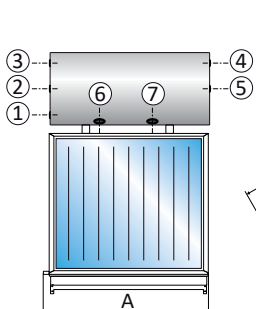
IP65 1,5 kw 220v 1"1/4M
with protection cover

Art. Nr.
524000000062



CONNECTIONS

- | | |
|----------|--------------------------------|
| 1 | Sanitary water inlet |
| 2 | Magnesium anode |
| 3 | Connection for Instrumentation |
| 4 | DHW outlet |
| 5 | Electric heater (not included) |
| 6 | Solar collectors connection |
| 7 | Solar collectors connection |



Solar collectors surface [sqm]	2	2	4	4	5	6
Solar tank capacity [lt]	150	200	200	300	300	300
Inclination α	fixed at 40°C					
Width A [mt]	1,1	1,1	2,2	2,2	2,6	3,2
Length B [mt]	2,01	2,01	2,01	2,01	2,01	2,01
Height H [mt]	2,03	2,03	2,03	2,03	2,03	2,03
Dimensions on the roof D [mt]	2,75	2,75	2,75	2,75	2,75	2,75

STRATOS®

STRATOS® SYSTEMS

THERMOSIPHON SYSTEMS

FORCED CIRCULATION SYSTEMS

COLLECTORS AND ACCESSORIES

TECHNICAL SUPPORT