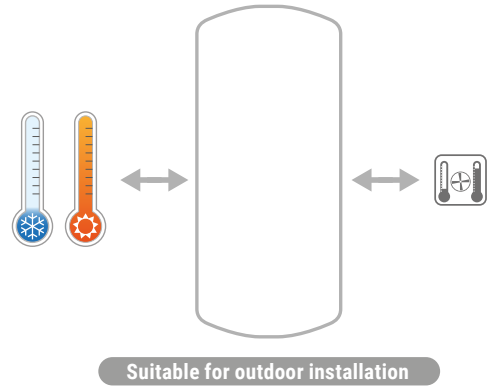


VOLANO TERMICO CALDO-FREDDO R/C - POLYWARM WB VT

POLYWARM® COATED VERTICAL INERTIAL HOT/COLD WATER TANK



PRESSURE	TEMPERATURE
Pmax	Tmax
6 bar	-10 / +90 °C



APPLICATION AND TECHNICAL DESCRIPTION

Storage of chilled or hot water for inverter installations. These buffers have a high thermal insulation and external lining with galvanized and painted metallic cover. Internal Polywarm® coated for clean systems installation. They are suited for installations that work with cold water during summer and hot water during winter. They also allow to limit the number of switch on/off of the generator (either heat pump, chilled system or standard Generator) increasing the thermic inertia of the system and to have more stable temperatures.

MATERIAL

Mild steel outside - Polywarm® coated inside

EXTERNAL LINING

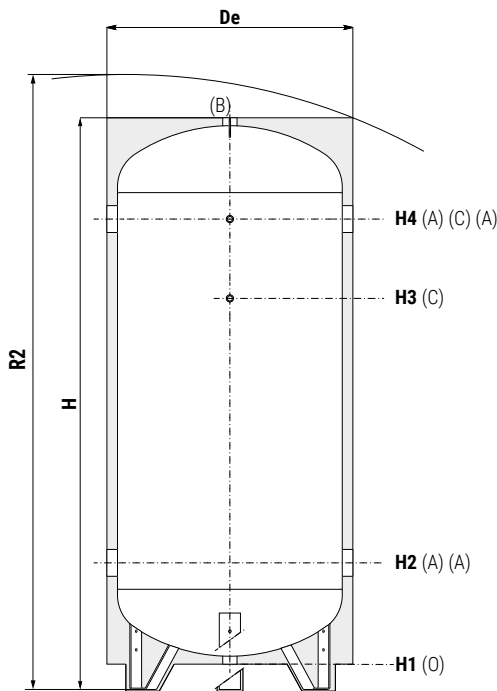
Galvanized and painted metallic cover.

INSULATION

High thermal insulation with ecological polyurethane hard foam.

WARRANTY

2 years-See general sales conditions and warranty.



- A** To the System
- B** Safety Valve
- C** Connection for instrumentation 1/2" F
- O** Drain

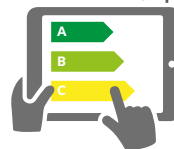


VOLANO TERMICO CALDO-FREDDO WB

ENERGY EFFICIENCY CLASS

Model	Art. Nr.	ErP
100	3001162330001	C
200	3001162330002	C
300	3001162330003	C
500	3001162330004	C
800	3001162330005	C
1000	3001162330006	C

cordivari.com/erp



On line ErP label tool



CORDIVARI Lab

TÜV Rheinland Energie und Umwelt GmbH states that test procedures and Cordivari LAB are certified conforming to European standard EN 15332, as indicated by Ecodesign ErP Directive.



Model	Weight [Kg]	Volume [lit]	De	H	R2	H1	H2	H3	H4	B-O	Connections F	
100	32	101	460	1006	1115	73	287	592	792	1"1/4	1"1/2	1/2"
200	53	190	510	1407	1505	68	297	927	1177	1"1/4	1"1/2	1/2"
300	67	292	610	1518	1640	129	404	994	1244	1"1/4	2"	1/2"
500	101	501	750	1790	1945	80	400	1200	1450	1"1/4	3"	1/2"
800	147	788	900	2100	2290	80	430	1437	1730	1"1/4	3"	1/2"
1000	170	1034	1000	2166	2390	80	463	1463	1763	1"1/2	3"	1/2"