



TAMARA VERTICAL



**EUROPEAN
WARRANTY**

NEW

MATERIAL:

- Horizontal collectors in painted mild steel ø 30 mm.
- Vertical heating elements in painted mild steel elliptical 50x25 mm.

FIXING KIT:

Brackets, airvent, hexagonal tool, plugs and screws for mounting suitable for use on compact or hollow brick, user notice.

PACKAGING:

Carton angular and profiles protected by a recyclable film in polyethylene. User notice included.

PAINTING PROCESS:

Painted with ecological epoxy powders (Certificate DIN 55900-1,-2).

COLORS:

See colour chart.

ACCESSORIES:

For the complete list, please refer to the accessories chapter.

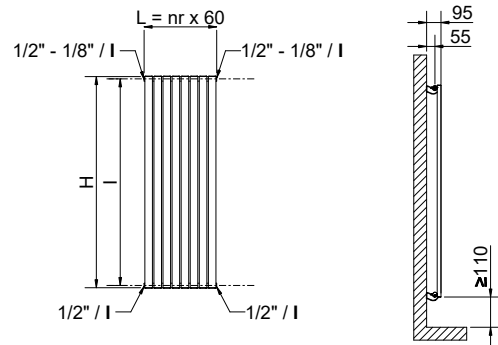
Height H [mm]	600	800	1000	1200	1400	1600	1800	1900	2000
Therm. output per el. Δt = 50 °C [Watt]	45,1	58,4	71,5	84,6	97,7	110,9	124,2	130,9	137,6
Therm. output per el. Δt = 50 °C [Watt]	24,0	30,8	37,4	44,2	51,0	57,9	64,8	68,3	71,7
Dry Weight per section [kg]	0,827	1,049	1,271	1,492	1,714	1,935	2,157	2,270	2,379
Element water content [lt]	0,608	0,805	1,001	1,198	1,394	1,590	1,787	1,885	1,983
Element surface [m ²]	0,083	0,107	0,130	0,154	0,177	0,201	0,224	0,236	0,248
Exp. n	1,2372	1,2536	1,2701	1,2711	1,272	1,273	1,2739	1,2734	1,2748
Pipe centres l [mm] (V3-V4 only)	566	766	966	1166	1366	1566	1766	1866	1966

P. Max: 5 bar

T. Max: 110° C

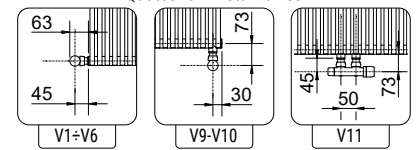
Functioning: hot water

Connections: n° 2 x 1/2" G - n° 1 da 1/8" G

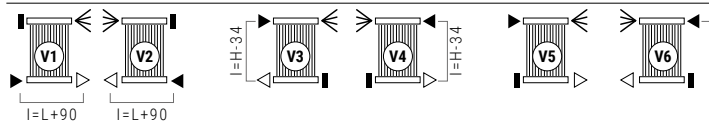


For output at different ΔT, please refer to the following formula: desired output = output at ΔT 50 x (desired Δt/50)ⁿ

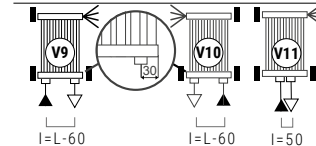
Quotes for Kristal valves



STANDARD CONNECTIONS WITHOUT SURCHARGE



SPECIAL CONNECTIONS



LEGENDA: ► In ▷ Out ◄ airvent H Height l pipe centres L width

□ connection ■ welded cap

Always specify the kind of connection needed when ordering.
Bidirectional pipe connection not available

HOW TO ORDER THE RADIATOR TAMARA VERTICAL

ARTICLE NR. STRUCTURE	Radiator model	Nr of Elements	Height in cm	Code of the connection	Code of the colour	Constant value
AAAA	BB	CCC	DDD	EEE		A

EXAMPLE	Radiator model E.g.: Tamara vertical	Nr of Elements E.g.: 24 elements	Height in cm Example: 1800 mm	Code of the connection Example: connection V2	Code of the colour Example: S16 - Canary	Constant value
TA50	24	180	V02	S16	A	

EXAMPLE OF ARTICLE CODE CREATION
In the case of a radiator:
TA50 TAMARA VERTICAL
24 24 elements
180 Height 1800 mm
V02 connection V2
S16 colour S16 - Canary
A (Constant value)
 The article code will be:
TA50 24 180 V02 S16 A

ACCESSORIES

If ordered separately from the radiator, the accessories are available in standard white only

<p>Kristal valve square with thermostatic option white R01</p> <p>Copper conn. Ø 12/14/15 Art. nr. 5991990311161</p> <p>Multilayer conn. Ø 16 Art. nr. 5991990311160</p>	<p>Kristal valve square pipe centres 50 mm right white R01</p> <p>Copper conn. Ø 12/14/15 Art. nr. 5991990311186</p> <p>Multilayer conn. Ø 16 Art. nr. 5991990311185</p>	<p>Pair of white tube cover kit</p> <p>Art. nr. 5103000000060</p>
---	---	--

Art. nr. are referred to colour WHITE R01



TAMARA VERTICAL

Height H [mm]		600	800	1000	1200	1400	1600	1800	1900	2000
Width L [mm]	N° El.	Watt $\Delta t=50^{\circ}\text{C}$	Watt $\Delta t=50^{\circ}\text{C}$	Watt $\Delta t=50^{\circ}\text{C}$	Watt $\Delta t=50^{\circ}\text{C}$	Watt $\Delta t=50^{\circ}\text{C}$	Watt $\Delta t=50^{\circ}\text{C}$	Watt $\Delta t=50^{\circ}\text{C}$	Watt $\Delta t=50^{\circ}\text{C}$	Watt $\Delta t=50^{\circ}\text{C}$
300	5	226	292	358	423	489	555	621	655	688
360	6	271	350	429	508	586	665	745	785	826
420	7	316	409	501	592	684	776	869	916	963
480	8	361	467	572	677	782	887	994	1047	1101
540	9	406	526	644	761	879	998	1118	1178	1238
600	10	451	584	715	846	977	1109	1242	1309	1376
660	11	496	642	787	931	1075	1220	1366	1440	1514
720	12	541	701	858	1015	1172	1331	1490	1571	1651
780	13	586	759	930	1100	1270	1442	1615	1702	1789
840	14	631	818	1001	1184	1368	1553	1739	1833	1926
900	15	677	876	1073	1269	1466	1664	1863	1964	2064
960	16	722	934	1144	1354	1563	1774	1987	2094	2202
1020	17	767	993	1216	1438	1661	1885	2111	2225	2339
1080	18	812	1051	1287	1523	1759	1996	2236	2356	2477
1140	19	857	1110	1359	1607	1856	2107	2360	2487	2614
1200	20	902	1168	1430	1692	1954	2218	2484	2618	2752
1260	21	947	1226	1502	1777	2052	2329	2608	2749	2890
1320	22	992	1285	1573	1861	2149	2440	2732	2880	3027
1380	23	1037	1343	1645	1946	2247	2551	2857	3011	3165
1440	24	1082	1402	1716	2030	2345	2662	2981	3142	3302
1500	25	1128	1460	1788	2115	2443	2773	3105	3273	3440
1560	26	1173	1518	1859	2200	2540	2883	3229	3403	3578
1620	27	1218	1577	1931	2284	2638	2994	3353	3534	3715
1680	28	1263	1635	2002	2369	2736	3105	3478	3665	3853
1740	29	1308	1694	2074	2453	2833	3216	3602	3796	3990
1800	30	1353	1752	2145	2538	2931	3327	3726	3927	4128

Art. nr. are referred to colour WHITE R01 and STANDARD connection

NEW RANGE

ARDESIA®

TOWEL RAILS

ELECTRIC

STAINLESS STEEL

RADIATORS

VENTILATION RADIATORS

MYWAY® ACCESSORIES AND TECHNICAL SUPPORT