



TAMARA HORIZONTAL



EUROPEAN WARRANTY

NEW

MATERIAL:

- Vertical collectors in painted mild steel ϕ 30 mm.
- Horizontal heating elements in painted mild steel elliptical 50x25 mm.

FIXING KIT:

Brackets, airvent, hexagonal tool, plugs and screws for mounting suitable for use on compact or hollow brick, user notice.

PACKAGING:

Carton angular and profiles protected by a recyclable film in polyethylene. User notice included.

PAINTING PROCESS:

Painted with ecological epoxy powders (Certificate DIN 55900-1,-2).

COLOURS:

See colour chart.

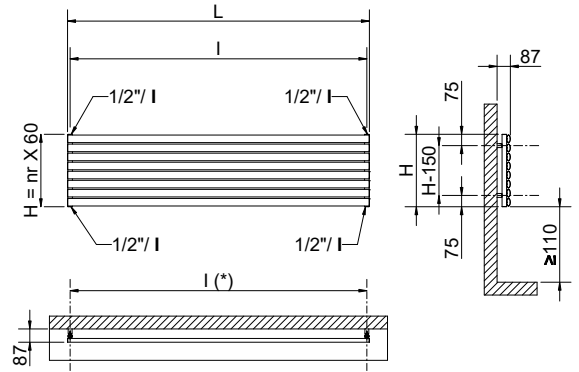
ACCESSORIES:

For the complete list, please refer to the accessories chapter.

Width L [mm]	600	800	1000	1200	1400	1600	1800	1900	2000
Therm. output per el. $\Delta t = 50^\circ\text{C}$ [Watt]	39,6	54	67,3	79,3	90,1	99,4	107,4	110,9	114
Therm. output per el. $\Delta t = 30^\circ\text{C}$ [Watt]	21,9	29,6	36,8	43,5	49,6	54,9	61,5	63,8	66,0
Dry Weight per section [kg]	0,827	1,049	1,271	1,492	1,714	1,935	2,157	2,270	2,379
Element water content [lt]	0,608	0,805	1,001	1,198	1,394	1,590	1,787	1,885	1,983
Element surface [m ²]	0,083	0,107	0,130	0,154	0,177	0,201	0,224	0,236	0,248
Exp. n	1,1637	1,1721	1,1805	1,1749	1,1692	1,1636	1,0913	1,0812	1,0701
Pipe centres l [mm] (H1 only)	566	766	966	1166	1366	1566	1766	1866	1966

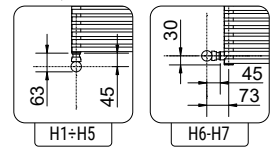
For output at different Δt , please refer to the following formula: desired output = output at $\Delta t 50^\circ\text{C}$ x (desired $\Delta t/50$)ⁿ

P. Max: 5 bar T. Max: 110° C
 Functioning: hot water Connections: n° 2 x 1/2" G - 1 x 1/2" G

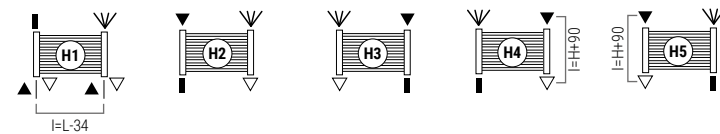


(*) The fixing kit has the same pipe centre (I) as the radiator

Quotes for Kristal valves

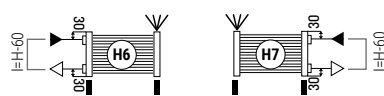


STANDARD CONNECTIONS WITHOUT SURCHARGE



LEGENDA: In Out airvent H Height I pipe centres L width connection welded cap

SPECIAL CONNECTIONS



Always specify the kind of connection needed when ordering.
 Bidirectional pipe connection not available

HOW TO ORDER THE RADIATOR TAMARA HORIZONTAL

ARTICLE NR. STRUCTURE	Radiator model	Nr of Elements	Width in cm	Code of the connection	Code of the colour	Constant value
AAAA	BB	CCC	DDD	EEE	AAA	A

EXAMPLE	Radiator model	Nr of Elements	Width in cm	Code of the connection	Code of the colour	Constant value
TA50	18	120	H02	S16	A	

EXAMPLE OF ARTICLE CODE CREATION
 In the case of a radiator:
TA50 TAMARA HORIZONTAL
18 18 elements
120 width 1200 mm
H02 connection H2
S16 colour S16 - Canary
A (Constant value)
 The article code will be:
TA50 18 120 H02 S16 A

ACCESSORIES

If ordered separately from the radiator, the accessories are available in standard white only

<p>Kristal valve square with thermostatic option white R01 Copper conn. ϕ 12/14/15 Art. nr. 5991990311161 Multilayer conn. ϕ 16 Art. nr. 5991990311160</p>	<p>Kristal valve corner right with thermostatic option white R01 Copper conn. ϕ 12/14/15 Art. nr. 5991990311176 Multilayer conn. ϕ 16 Art. nr. 5991990311175</p>	<p>Thermostatic head white (Kit 2 pieces) Art. nr. 5035270710016</p>
---	---	---

Art. nr. are referred to colour WHITE R01



TAMARA HORIZONTAL

Width L [mm]		600	800	1000	1200	1400	1600	1800	1900	2000
Height H [mm]	N° El.	Watt $\Delta t=50^{\circ}\text{C}$	Watt $\Delta t=50^{\circ}\text{C}$	Watt $\Delta t=50^{\circ}\text{C}$	Watt $\Delta t=50^{\circ}\text{C}$	Watt $\Delta t=50^{\circ}\text{C}$	Watt $\Delta t=50^{\circ}\text{C}$	Watt $\Delta t=50^{\circ}\text{C}$	Watt $\Delta t=50^{\circ}\text{C}$	Watt $\Delta t=50^{\circ}\text{C}$
300	5	198	270	337	397	451	497	537	555	570
360	6	238	324	404	476	541	596	644	665	684
420	7	277	378	471	555	631	696	752	776	798
480	8	317	432	538	634	721	795	859	887	912
540	9	356	486	606	714	811	895	967	998	1026
600	10	396	540	673	793	901	994	1074	1109	1140
660	11	436	594	740	872	991	1093	1181	1220	1254
720	12	475	648	808	952	1081	1193	1289	1331	1368
780	13	515	702	875	1031	1171	1292	1396	1442	1482
840	14	554	756	942	1110	1261	1392	1504	1553	1596
900	15	594	810	1010	1190	1352	1491	1611	1664	1710
960	16	634	864	1077	1269	1442	1590	1718	1774	1824
1020	17	673	918	1144	1348	1532	1690	1826	1885	1938
1080	18	713	972	1211	1427	1622	1789	1933	1996	2052
1140	19	752	1026	1279	1507	1712	1889	2041	2107	2166
1200	20	792	1080	1346	1586	1802	1988	2148	2218	2280
1260	21	832	1134	1413	1665	1892	2087	2255	2329	2394
1320	22	871	1188	1481	1745	1982	2187	2363	2440	2508
1380	23	911	1242	1548	1824	2072	2286	2470	2551	2622
1440	24	950	1296	1615	1903	2162	2386	2578	2662	2736
1500	25	990	1350	1683	1983	2253	2485	2685	2773	2850
1560	26	1030	1404	1750	2062	2343	2584	2792	2883	2964
1620	27	1069	1458	1817	2141	2433	2684	2900	2994	3078
1680	28	1109	1512	1884	2220	2523	2783	3007	3105	3192
1740	29	1148	1566	1952	2300	2613	2883	3115	3216	3306
1800	30	1188	1620	2019	2379	2703	2982	3222	3327	3420

Art. nr. are referred to colour WHITE R01 and STANDARD connection

NEW RANGE

ARDESIA®

TOWEL RAILS

ELECTRIC

STAINLESS STEEL

RADIATORS

VENTILATION RADIATORS

MYWAY® ACCESSORIES AND TECHNICAL SUPPORT