



SANDY ELECTRIC POLISHED STAINLESS STEEL



**EUROPEAN
WARRANTY**

MATERIAL:

- Vertical collectors in polished stainless steel \varnothing 38 mm.
- Horizontal elements in polished stainless steel \varnothing 25 mm.
- Heat transfer fluid.

FIXING KIT:

Brackets, hexagonal tool, plugs and screws for mounting suitable for use on compact or hollow brick walls, user notice.

The kit is certified from TÜV in compliance with VDI 6036 - class 4.

PACKAGING:

The radiator is protected by recyclable carton box. User notice included.

FEATURES:

It is totally made in stainless steel with an unalterable finishing guaranteed during the years.

ACCESSORIES:

For the complete list, please refer to the accessories chapter.

ELECTRICAL ONLY:

- With WiFi digital thermostat
- With TOP digital thermostat

Class protection: CLASS 1

Minimum ingress protection: IP 44

Wire length: 1200 mm with Schuko plug

Power supply: 230Vac 50Hz (with WiFi digital thermostat)

Power supply: 230Vac 50/60Hz (With TOP digital thermostat)

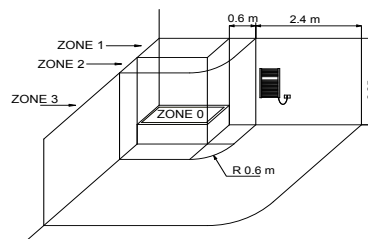
Seasonal energy efficiency η_s : 39% (with WiFi digital thermostat)

Seasonal energy efficiency η_s : 38% (With TOP digital thermostat)

CERTIFICATES



HOW TO PLACE ELECTRIC RADIATORS



The national rules on installing electrical equipment in the bathroom must be scrupulously respected. The electric radiators must be always installed outside zone 1 and 2.

In particular the electric switch and control elements must be mandatorily located in zone 3, in order that no electrical control center is accessible to a anyone using the shower or bath.



All Cordivari electric radiators are in line with the new European regulation UE 2015/1188. The new regulation imposes a seasonal energy efficiency of electrical appliances for ambient heating with a nominal thermal output over 250 W and not less than 38%. Each of the ErP electric radiator is equipped with at least electronic temperature control, window opening detection and weekly programmer.

INCLUDED



**Remote control of TOP
digital chrono-thermostat**

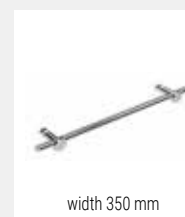
Remote control of TOP
digital chrono-thermostat
functioning

ACCESSORIES



**Kit 2 hooks-polished
stainless steel**

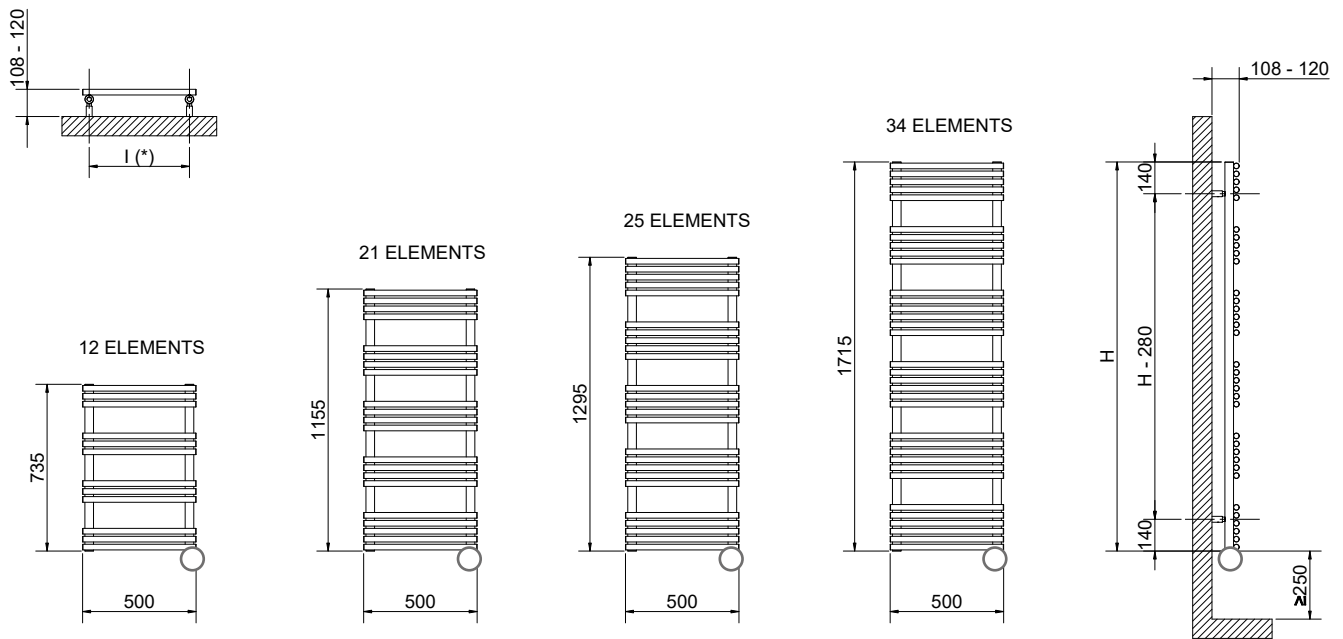
Art. nr. 5991990010215



**Towel bar-polished
stainless steel**

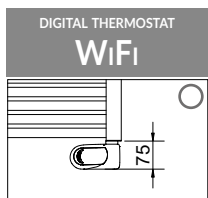
width 350 mm

Art. nr. 5991990010220



(*) Pipe center (l) measure of the fixing kit

○ The general footprint has to be calculated considering the thermostat height

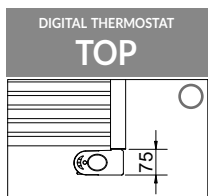


SANDY ELECTRIC WIFI - POLISHED STAINLESS STEEL

NEW

Height [mm]	Width L [mm]	Fixing kit center distance l (*)	Art. nr.	Output [Watt]	Weight [Kg]
735	500	462	3581440402026	300	11,0
1155	500	462	3581440402027	400	18,0
1295	500	462	3581440402028	600	21,0
1715	500	462	3581440402029	700	28,0

PRODUCT AVAILABLE FROM APRIL 2022



SANDY ELECTRIC TOP (remote control included) - POLISHED STAINLESS STEEL

Height [mm]	Width L [mm]	Fixing kit center distance l (*)	Art. nr.	Output [Watt]	Weight [Kg]
735	500	462	3581440402012	300	11,0
1155	500	462	3581440402013	400	18,0
1295	500	462	3581440402014	600	21,0
1715	500	462	3581440402015	700	28,0