



SAMIRA WIDE

**EUROPEAN
WARRANTY**

MATERIAL:

- Vertical collectors in painted mild steel \varnothing 30 mm.
- Horizontal heating elements in painted mild steel elliptical 50x25 mm.

FIXING KIT:

Brackets, airvent, hexagonal tool, plugs and screws for mounting suitable for use on compact or hollow brick, user notice.

The kit is certified from TÜV in compliance with VDI 6036 - class 4.

PACKAGING:

Carton angular and profiles protected by a recyclable film in polyethylene. User notice included.

PAINTING PROCESS:

Painted with ecological epoxy powders (Certificate DIN 55900-1,-2).

COLOURS:

See colour chart.

ACCESSORIES:

For the complete list, please refer to the accessories chapter.

AVAILABLE FUNCTIONS:

- Hot water
- Dual energy

P. Max: 5 bar

Functioning: hot water

T. Max: 110° C

Connections: n° 2 x 1/2" G - 1 x 1/2" G

CERTIFICATES



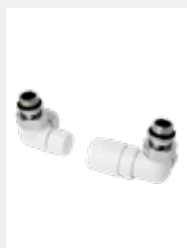
ACCESSORIES



Kristal valve square with thermostatic option white R01

Copper conn. \varnothing 12/14/15
Art. nr. 5991990311161

Multilayer conn. \varnothing 16
Art. nr. 5991990311160



Kristal valve corner with thermostatic option white R01

Copper conn. \varnothing 12/14/15
Art. nr. 5991990311176

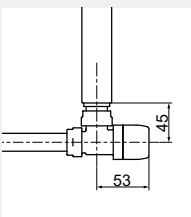
Multilayer conn. \varnothing 16
Art. nr. 5991990311175



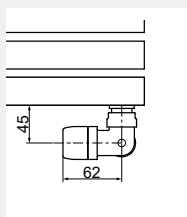
Thermostatic head white

(Kit 2 pieces)

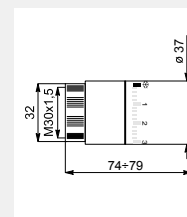
Art. nr. 5035270710016



Quotes for square Kristal valves with thermostatic option



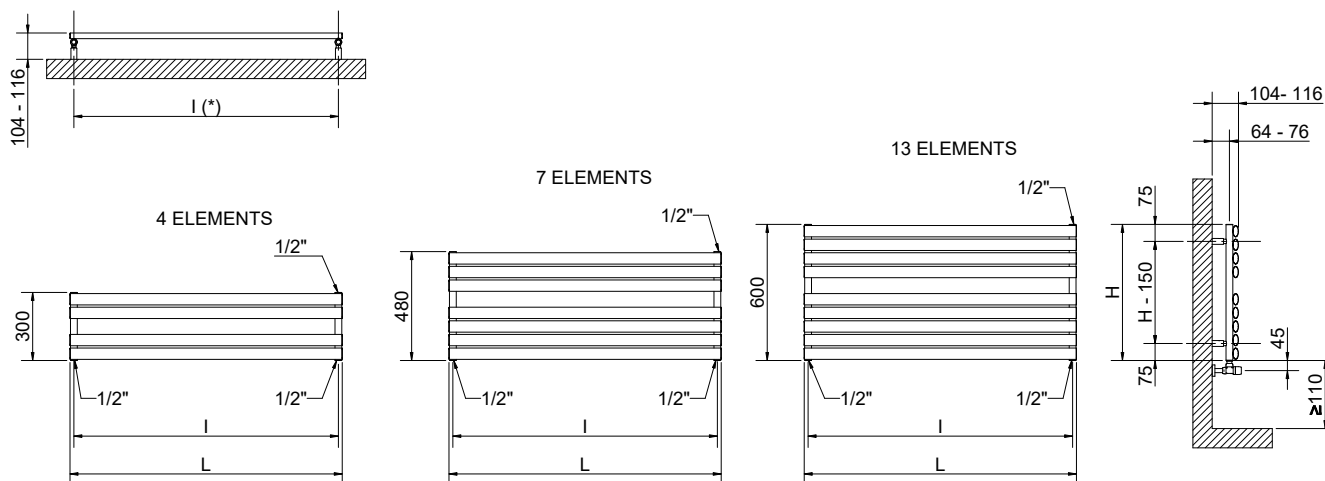
Quotes for corner Kristal valves with thermostatic option



Thermostatic head quotes

If ordered separately from the radiator, the accessories are available in standard white only

Art. nr. are referred to colour WHITE R01



(*) The fixing kit has the same pipe centre (l) as the radiator

Quotes for Kristal valves

SAMIRA WIDE

Height [mm]	Width L [mm]	Pipe centres l [mm]	Art. nr.	Dry Weight [Kg]	Surface [m ²]	Water content [lt]	Thermal output [Watt]		Exp. n	Dual energy kit [Watt]
							Δt=50°C	Δt=30°C		
300	1000	970	3601626100100	5,30	0,54	4,26	299	164	1,1718	-
	1200	1170	3601626100101	6,20	0,63	5,00	358	197	1,1718	-
	1400	1370	3601626100102	7,10	0,72	5,80	418	230	1,1718	-
480	1000	970	3601626100103	9,10	0,93	7,40	507	276	1,1899	500
	1200	1170	3601626100104	10,70	1,10	8,80	608	331	1,1899	500
	1400	1370	3601626100105	12,20	1,26	10,20	710	387	1,1899	500
600	1000	970	3601626100106	11,70	1,20	9,50	637	345	1,2006	600
	1200	1170	3601626100107	13,70	1,40	11,27	764	414	1,2006	700
	1400	1370	3601626100108	15,70	1,60	13,00	892	483	1,2006	700

Art. nr. are referred to colour WHITE R01

For output at different ΔT, please refer to the following formula: desired output = output at ΔT 50 x (desired Δt/50)ⁿ