



ROSY TANDEM HORIZONTAL



EUROPEAN WARRANTY

MATERIAL:

- Vertical collectors in painted mild steel ϕ 38 mm.
- Double row of rectangular horizontal heating elements in painted mild steel 50x10 mm.

FIXING KIT:

Brackets, airvent, hexagonal tool, plugs and screws for mounting suitable for use on compact or hollow brick, user notice. The kit is certified from TÜV in compliance with VDI 6036 -

class 4.

PACKAGING:

Carton angular and profiles protected by a recyclable film in polyethylene. User notice included.

PAINTING PROCESS:

Painted with ecological epoxy powders (Certificate DIN 55900-1;-2).

COLOURS:

See colour chart.

ACCESSORIES:

For the complete list, please refer to the accessories chapter.

| Width L [mm] | 400 | 500 | 600 | 700 | 800 | 1000 | 1200 | 1400 | 1500 |
|-----------------------------------|-------|-------|-------|-------|-------|-------|-------|-------|-------|
| Dry Weight per section [kg] | 0,991 | 1,208 | 1,425 | 1,642 | 1,860 | 2,294 | 2,728 | 3,163 | 3,381 |
| Element water content [lt] | 0,401 | 0,473 | 0,545 | 0,618 | 0,690 | 0,835 | 0,980 | 1,125 | 1,197 |
| Element surface [m ²] | 0,109 | 0,133 | 0,157 | 0,181 | 0,205 | 0,253 | 0,301 | 0,349 | 0,373 |
| Pipe centres l [mm] (H1 only) | 342 | 442 | 542 | 642 | 742 | 942 | 1142 | 1342 | 1442 |

For output at different ΔT , please refer to the following formula: $\text{desired output} = \text{output at } \Delta T 50 \times (\text{desired } \Delta T / 50)^n$

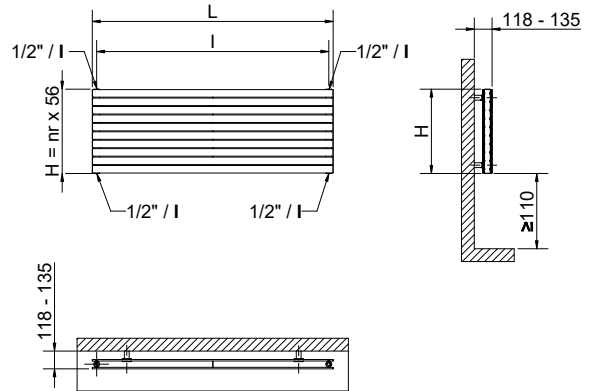
| Width L [mm] | 1600 | 1700 | 1800 | 1900 | 2000 | 2200 | 2300 | 2500 |
|-----------------------------------|-------|-------|-------|-------|-------|-------|-------|-------|
| Dry Weight per section [kg] | 3,597 | 3,815 | 4,032 | 4,249 | 4,466 | 4,900 | 5,118 | 5,552 |
| Element water content [lt] | 1,269 | 1,341 | 1,414 | 1,487 | 1,559 | 1,704 | 1,776 | 1,921 |
| Element surface [m ²] | 0,397 | 0,421 | 0,445 | 0,469 | 0,493 | 0,541 | 0,565 | 0,613 |
| Pipe centres l [mm] (H1 only) | 1542 | 1642 | 1742 | 1842 | 1942 | 2142 | 2242 | 2442 |

P. Max: 5 bar

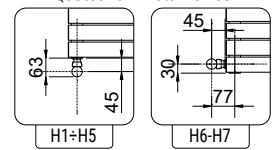
T. Max: 110° C

Functioning: hot water

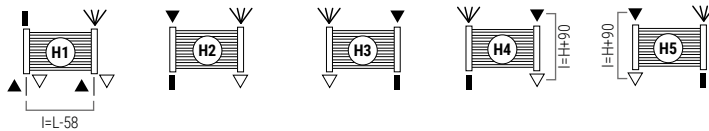
Connections: n° 2 x 1/2" G - 1 x 1/2" G



Quotes for Kristal valves

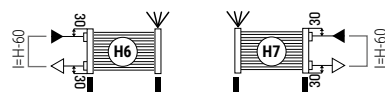


STANDARD CONNECTIONS WITHOUT SURCHARGE



LEGENDA: \blacktriangleright In \triangleright Out \triangleleft airvent H Height l pipe centres L width \square connection \blacksquare welded cap

SPECIAL CONNECTIONS



Always specify the kind of connection needed when ordering.
Bidirectional pipe connection not available

HOW TO ORDER THE RADIATOR ROSY TANDEM HORIZONTAL

| ARTICLE NR. STRUCTURE | Radiator model | Nr of Elements | Width in cm | Code of the connection | Code of the colour | Constant value |
|-----------------------|----------------|----------------|-------------|------------------------|--------------------|----------------|
| AAAA | BB | CCC | DDD | EEE | AAA | A |

| EXAMPLE | Radiator model E.g.: Rosy tandem horizontal | Nr of Elements E.g.: 12 elements | Width in cm Example: 1500 mm | Code of the connection Example: connection H1 | Code of the colour Example: R01 - White | Constant value |
|---------|--|-------------------------------------|---------------------------------|--|--|----------------|
| RT50 | 12 | 150 | H01 | R01 | A | |

EXAMPLE OF ARTICLE CODE CREATION
In the case of a radiator:
RT50 ROSY TANDEM HORIZONTAL
12 12 elements
150 width 1500 mm
H01 connection H1
R01 colour R01 - White
A (Constant value)
 The article code will be:
RT50 12 150 H01 R01 A

ACCESSORIES

If ordered separately from the radiator, the accessories are available in standard white only

| | | |
|---|---|--|
| <p>Kristal valve square with thermostatic option white R01 Copper conn. ϕ 12/14/15 Art. nr. 5991990311161 Multilayer conn. ϕ 16 Art. nr. 5991990311160</p> | <p>Kristal valve corner right with thermostatic option white R01 Copper conn. ϕ 12/14/15 Art. nr. 5991990311176 Multilayer conn. ϕ 16 Art. nr. 5991990311175</p> | <p>Thermostatic head white (Kit 2 pieces) Art. nr. 5035270710016</p> |
|---|---|--|

Art. nr. are referred to colour WHITE R01



ROSY TANDEM HORIZONTAL

| Width L [mm] | | 400 | 500 | 600 | 700 | 800 | 1000 | 1200 | 1400 | 1500 | OUTPUT PER LINEAR METER | Exp. n |
|---------------|--------|------------------------------------|------------------------------------|------------------------------------|------------------------------------|------------------------------------|------------------------------------|------------------------------------|------------------------------------|------------------------------------|------------------------------------|--------|
| Height H [mm] | N° El. | Watt $\Delta t=50^{\circ}\text{C}$ | Watt $\Delta t=50^{\circ}\text{C}$ | Watt $\Delta t=50^{\circ}\text{C}$ | Watt $\Delta t=50^{\circ}\text{C}$ | Watt $\Delta t=50^{\circ}\text{C}$ | Watt $\Delta t=50^{\circ}\text{C}$ | Watt $\Delta t=50^{\circ}\text{C}$ | Watt $\Delta t=50^{\circ}\text{C}$ | Watt $\Delta t=50^{\circ}\text{C}$ | Watt $\Delta t=30^{\circ}\text{C}$ | |
| 224 | 4 | 196 | 245 | 294 | 343 | 392 | 490 | 588 | 686 | 735 | 258 | 1,2547 |
| 280 | 5 | 240 | 300 | 359 | 419 | 479 | 599 | 719 | 839 | 899 | 316 | 1,2520 |
| 336 | 6 | 282 | 353 | 423 | 494 | 564 | 705 | 846 | 987 | 1058 | 372 | 1,2492 |
| 392 | 7 | 323 | 404 | 485 | 566 | 646 | 808 | 970 | 1131 | 1212 | 427 | 1,2465 |
| 448 | 8 | 363 | 454 | 545 | 636 | 726 | 908 | 1090 | 1271 | 1362 | 481 | 1,2438 |
| 504 | 9 | 402 | 503 | 603 | 704 | 804 | 1005 | 1206 | 1407 | 1508 | 533 | 1,2410 |
| 560 | 10 | 440 | 550 | 659 | 769 | 879 | 1099 | 1319 | 1539 | 1649 | 584 | 1,2383 |
| 616 | 11 | 476 | 596 | 715 | 834 | 953 | 1191 | 1429 | 1667 | 1787 | 634 | 1,2355 |
| 672 | 12 | 512 | 640 | 768 | 896 | 1024 | 1280 | 1536 | 1792 | 1920 | 682 | 1,2328 |
| 728 | 13 | 547 | 684 | 820 | 957 | 1094 | 1367 | 1640 | 1914 | 2051 | 729 | 1,2301 |
| 784 | 14 | 580 | 726 | 871 | 1016 | 1161 | 1451 | 1741 | 2031 | 2177 | 775 | 1,2273 |
| 840 | 15 | 613 | 767 | 920 | 1073 | 1226 | 1533 | 1840 | 2146 | 2300 | 820 | 1,2246 |
| 896 | 16 | 645 | 807 | 968 | 1129 | 1290 | 1613 | 1936 | 2258 | 2420 | 864 | 1,2218 |
| 952 | 17 | 676 | 846 | 1015 | 1184 | 1353 | 1691 | 2029 | 2367 | 2537 | 907 | 1,2191 |
| 1008 | 18 | 707 | 884 | 1060 | 1237 | 1414 | 1767 | 2120 | 2474 | 2651 | 949 | 1,2164 |

All intermediate sizes are available for widths from 4 to 18 elements and heights from 500 to 2500 mm

| Width L [mm] | | 1600 | 1700 | 1800 | 1900 | 2000 | 2200 | 2300 | 2500 | OUTPUT PER LINEAR METER | Exp. n |
|---------------|--------|------------------------------------|------------------------------------|------------------------------------|------------------------------------|------------------------------------|------------------------------------|------------------------------------|------------------------------------|------------------------------------|--------|
| Height H [mm] | N° El. | Watt $\Delta t=50^{\circ}\text{C}$ | Watt $\Delta t=50^{\circ}\text{C}$ | Watt $\Delta t=50^{\circ}\text{C}$ | Watt $\Delta t=50^{\circ}\text{C}$ | Watt $\Delta t=50^{\circ}\text{C}$ | Watt $\Delta t=50^{\circ}\text{C}$ | Watt $\Delta t=50^{\circ}\text{C}$ | Watt $\Delta t=50^{\circ}\text{C}$ | Watt $\Delta t=30^{\circ}\text{C}$ | |
| 224 | 4 | 784 | 833 | 882 | 931 | 980 | 1078 | 1127 | 1225 | 258 | 1,2547 |
| 280 | 5 | 958 | 1018 | 1078 | 1138 | 1198 | 1318 | 1378 | 1498 | 316 | 1,2520 |
| 336 | 6 | 1128 | 1199 | 1269 | 1340 | 1410 | 1551 | 1622 | 1763 | 372 | 1,2492 |
| 392 | 7 | 1293 | 1374 | 1454 | 1535 | 1616 | 1778 | 1858 | 2020 | 427 | 1,2465 |
| 448 | 8 | 1453 | 1544 | 1634 | 1725 | 1816 | 1998 | 2088 | 2270 | 481 | 1,2438 |
| 504 | 9 | 1608 | 1709 | 1809 | 1910 | 2010 | 2211 | 2312 | 2513 | 533 | 1,2410 |
| 560 | 10 | 1758 | 1868 | 1978 | 2088 | 2198 | 2418 | 2528 | 2748 | 584 | 1,2383 |
| 616 | 11 | 1906 | 2025 | 2144 | 2263 | 2382 | 2620 | 2739 | 2978 | 634 | 1,2355 |
| 672 | 12 | 2048 | 2176 | 2304 | 2432 | 2560 | 2816 | 2944 | 3200 | 682 | 1,2328 |
| 728 | 13 | 2187 | 2324 | 2461 | 2597 | 2734 | 3007 | 3144 | 3418 | 729 | 1,2301 |
| 784 | 14 | 2322 | 2467 | 2612 | 2757 | 2902 | 3192 | 3337 | 3628 | 775 | 1,2273 |
| 840 | 15 | 2453 | 2606 | 2759 | 2913 | 3066 | 3373 | 3526 | 3833 | 820 | 1,2246 |
| 896 | 16 | 2581 | 2742 | 2903 | 3065 | 3226 | 3549 | 3710 | 4033 | 864 | 1,2218 |
| 952 | 17 | 2706 | 2875 | 3044 | 3213 | 3382 | 3720 | 3889 | 4228 | 907 | 1,2191 |
| 1008 | 18 | 2827 | 3004 | 3181 | 3357 | 3534 | 3887 | 4064 | 4418 | 949 | 1,2164 |



UPPER COVER CASE AVAILABLE UPON REQUEST

UPPER COVER

| Width L [mm] | Art. nr. |
|--------------|---------------|
| 400 | 5103000000096 |
| 500 | 5103000000097 |
| 600 | 5103000000098 |
| 700 | 5103000000099 |
| 800 | 5103000000100 |
| 1000 | 5103000000101 |
| 1200 | 5103000000102 |
| 1400 | 5103000000103 |
| 1500 | 5103000000104 |
| 1600 | 5103000000105 |
| 1700 | 5103000000106 |
| 1800 | 5103000000107 |
| 1900 | 5103000000110 |
| 2000 | 5103000000111 |
| 2200 | 5103000000112 |
| 2300 | 5103000000113 |
| 2500 | 5103000000114 |

ARDESIA®

TOWEL RAILS

ELECTRIC

STAINLESS STEEL

RADIATORS

VENTILATION RADIATORS

MYWAY® ACCESSORIES AND TECHNICAL SUPPORT