



ELECTRICAL ONLY:

- With **digital** thermostat

Material:

- Vertical collectors in painted mild steel semi oval 30x40 mm.
- Horizontal heating elements in painted mild steel \varnothing 22 mm.
- Heat transfer fluid.

Fixing kit:

The fixing kit is in compliance with norm VDI 6036 that guarantees maximum resistance, security and stability of the towel rail. Each kit includes brackets, hexagonal tool, plugs and screws suitable for use on either compact or hollow brick walls. For a correct assembly always refer to the user manual supplied.



ACCESSORIES

For Accessories range see Accessories chapter



KIT 2 HOOKS
WHITE COLOUR

Art. nr. 5991990310171



TOWEL BAR
WHITE COLOUR
Width= 370 mm

Art. nr. 5991990310170

Applicable only for width \geq 450 mm

Electrical resistors: Class 1

Minimum ingress protection: IP 44

Wire lenght: 1200 mm with Schuko plug

Power supply: 230Vac 50/60Hz

Seasonal energy efficiency η_s : 38% (with ECO digital thermostat)

Packing:

Carton angular and profiles protected by a recyclable film in polyethylene. User notice included.

Painting process:

Painted with ecological epoxy powders. (Certificate DIN 55900-1,-2).

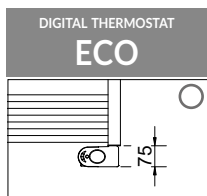
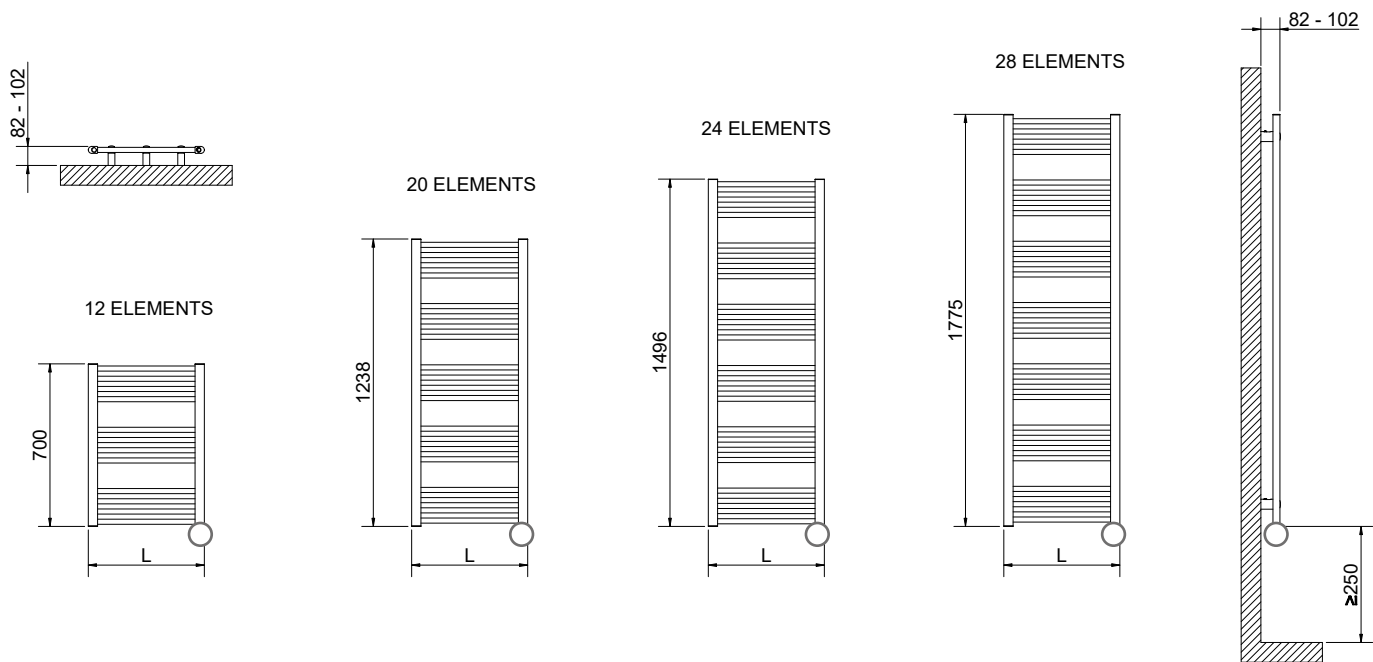
Colour:

Pure white RAL 9010

Electrical resistors:

- White digital thermostat - Class 1- IP44.

- 6 Functioning modes: comfort, night, antifreeze, chrono, 2H timer and standby



The general footprint has to be calculated considering the thermostat height

ROBERTA ELECTRIC - WITH ECO DIGITAL THERMOSTAT

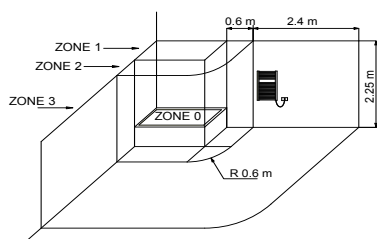
Colour PURE WHITE R01-RAL 9010

Height [mm]	Width L [mm]	Art. nr.	Output [Watt]	Weight [Kg]
700	400	3581656100010	300	6
	500	3581656100011	400	8
1238	400	3581656100012	500	11
	450	3581656100013	600	12
	500	3581656100014	600	13
1496	400	3581656100015	700	14
	500	3581656100016	700	15
1775	500	3581656100017	900	18



All Cordivari electric radiators are in line with the new European regulation UE 2015/1188. The new regulation imposes a seasonal energy efficiency of electrical appliances for ambient heating with a nominal thermal output over 250 W and not less than 38%. Each of the ErP electric radiator is equipped with at least electronic temperature control, window opening detection and weekly programmer.

HOW TO PLACE ELECTRIC RADIATORS



The national rules on installing electrical equipment in the bathroom must be scrupulously respected. The electric radiators must be always installed outside zone 1 and 2.

In particular the electric switch and control elements must be mandatorily located in zone 3, in order that no electrical control center is accessible to a anyone using the shower or bath.