

PUFFERMAS® 2 CTS POWER

HEATING WATER BUFFER TANK WITH STRATIFICATION DEVICE, 1 FIXED HEAT EXCHANGER, MACS® MODULE FOR IMMEDIATE D.H.W. PRODUCTION AND INTEGRATED SOLAR STATION



APPLICATION

Storage by stratification of heating water, immediate production of domestic hot water (DHW) with high flow rates and performances and management of the solar circulation, in solar thermal system / biomass boiler.

MATERIAL

Mild steel painted on the outside. Buffer intended for closed circuit installation, so no anti-corrosion treatment is provided.

D.H.W. HEAT EXCHANGER

External MACS® module with Stainless steel 316L brazed plate exchanger for immediate D.H.W. production.

SOLAR STATION

Complete with electronic control unit with 5 temperatures probes able to manage up to 27 types of system and complete circulation group.

HEATING WATER HEAT EXCHANGER

N° 1 fixed heat exchanger and CTS® stratificator system, suitable for solar thermal systems.

TECHNICAL DESCRIPTION

Specific for accumulation and management of the heat produced by the thermal solar system, combines the use of the Puffer's characteristics with the ones of a fast DHW producer without the storage of domestic hot water, with the following advantages:

- to reduce dimensions of the needed water heater
- easy maintenance
- maximum hygiene for anti-legionellosis bacteria's
- to produce more DHW than the quantity obtained by boiler with similar capacity because hot water is stored at a higher temperature than DHW.

INSULATION

Buffer tank: High thermal insulation with ecological hard polyurethane foam. Models 800-1000 available with dismountable hard foam insulation.

MACS® module and solar circulation group: insulating PPE cover.

Grey PVC external lining.

WARRANTY

5 years (tank)

See general sales conditions and warranty for electrical parts.

ACCESSORIES AND SPARE PARTS

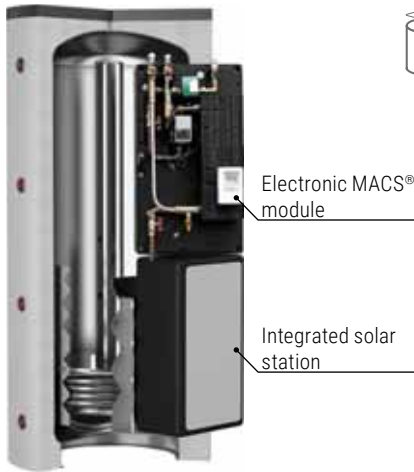
See Accessories section for the entire list.



PUFFERMAS® 2 CTS POWER VB

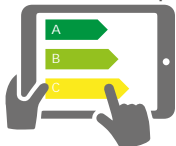
HEAT EXCHANGER SURFACE [m²]
ENERGY EFFICIENCY CLASS

Model	MACS® module model	HARD FOAM insulation Art. Nr.	SLB heat exchanger model / plates nr.	HEAT EXCHANGER SURFACE [m²]	ENERGY EFFICIENCY CLASS
500		3251162316523		1,9	C
600		3251162316524		2,1	C
800	70	3251162316525	SLB20 / 34	2,5	B
1000		3251162316526		3,1	C
1500		3251162316527		3,8	C
1000	120	3251162316528	SLB40/ 40	3,1	C
1500		3251162316529		3,8	C



PATENTED

cordivari.com/erp



On line ErP label tool

Model	MACS® module model	DHW production (10-45°C) with accumulation at 80°C [l/min]	Maximum availability of DHW (10-45°C) with accumulation at 80°C [l/min]
500		37	680
600		37	800
800	70	37	1150
1000		37	1350
1500		37	2080
1000	120	61	1680
1500		61	2580

ACCESSORIES

Thermometer

Art. Nr.	
5032240000107	
5 units box	

Recirculation kit

Art. Nr.	
5221000000073	
DHW recirculation group	

Buffer tanks connecting kit

Art. Nr.	Connection	
5006170001001	1" 1/2	
Stainless steel extensible connecting kit - (200 ÷ 400 mm)		

PUFFERMAS® 2 CTS POWER

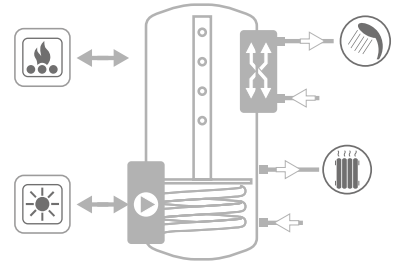
HEATING WATER BUFFER TANK WITH STRATIFICATION DEVICE, 1 FIXED HEAT EXCHANGER, MACS® MODULE FOR IMMEDIATE D.H.W. PRODUCTION AND INTEGRATED SOLAR STATION

STORAGE		FIXED HEAT EXCHANGER		STAINLESS STEEL 316L BRAZED PLATE EXCHANGE® (MACS®)		D.H.W. HARDNESS
Pmax	Tmax	Pmax	Tmax	Pmax	Tmax	F max
3 bar	99 °C	12 bar	110 °C	6 bar	99 °C	30 °f

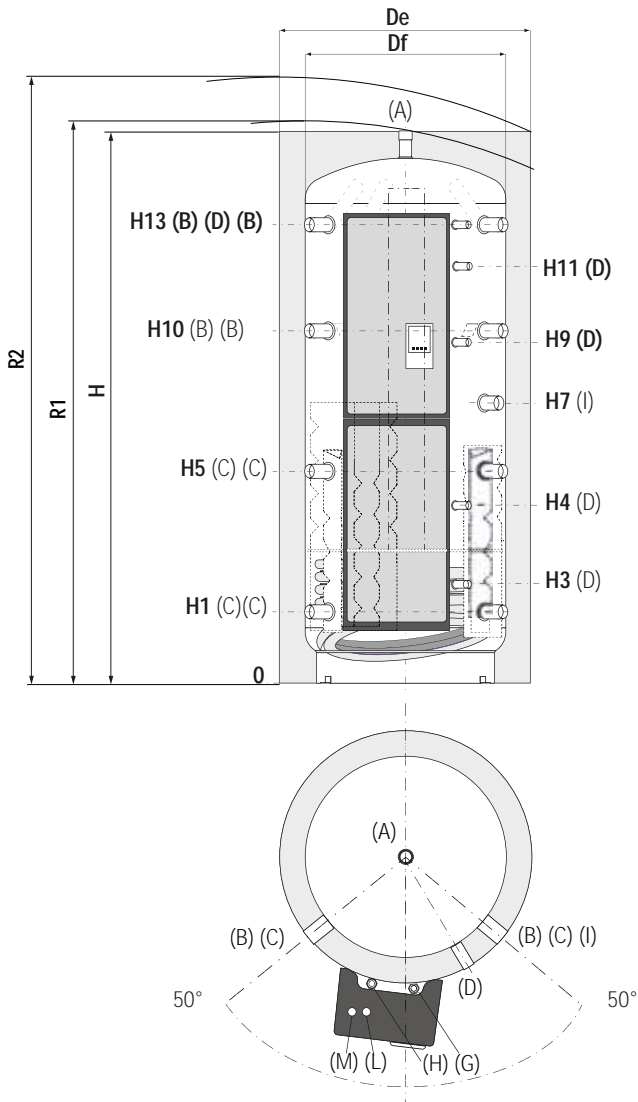


CORDIVARI® Lab

TUV Rheinland Energie und Umwelt GmbH states that test procedures and Cordivari LAB are certified conforming to European standard EN 15332, as indicated by Ecodesign ErP Directive.

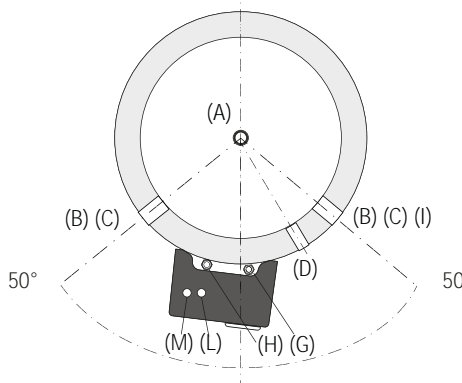


See TECHNICAL SUPPORT chapter for example of installation



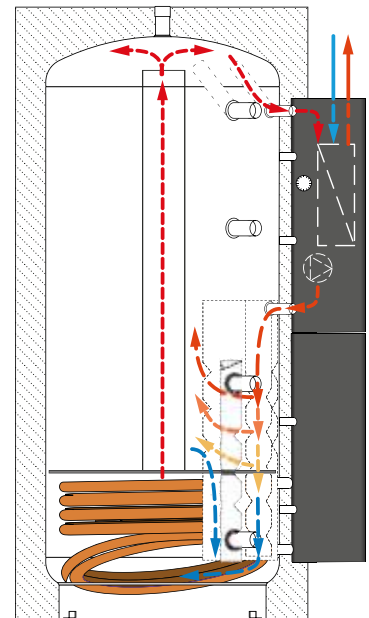
- A** Heating delivery/From generator / vent 1"1/2 G F
- B** Heating delivery/From generator 1"1/2 G F
- C** Heating return/To the generator 1"1/2 G F
- D** 1/2 "G probe F
- I** Connection for for electric immersion heater 1"1/2 F
- L** Domestic hot water outlet 3/4" G M (1" G M for models with MACS® 120)
- M** Domestic cold water circuit inlet 3/4" G M (1" G M for models with MACS® 120)

P.E.D. product designed and produced in conformity to the article 4.3 of directive 2014/68/UE - ErP Ecodesign directive 2009/125/CE



SUITABLE FOR SOLAR THERMAL SYSTEMS

THE ILLUSTRATION UNDERLINES THE STRATIFICATION PROCESS (FROM TOP TO BOTTOM) THAT ALLOWS TO HAVE ALL NEEDED ENERGY RAPIDLY AVAILABLE



Model	Volume [lt]	De	Df	H	R1	R2	[mm]									
							H1	H3	H4	H5	H7	H9	H10	H11	H13	
500	478	750	650	1619	//	1785	247	360	533	629	870	1025	1011	1130	1343	
600	560	750	650	1870	//	2015	247	360	582	695	970	1200	1144	1485	1593	
800	805	940	790	1840	1880	2067	265	378	584	690	918	1115	1115	1442	1541	
1000	946	940	790	2130	2165	2329	265	384	656	787	1145	1388	1309	1588	1831	
1500	1454	1100	950	2250	//	2505	313	432	736	845	1236	1396	1377	1783	1909	