

PUFFER 2

HEATING WATER BUFFER TANK WITH 2 FIXED HEAT EXCHANGERS



APPLICATION

Efficient storage of heating hot water mostly using biomass, heat pumps or solar thermal energy sources.

MATERIAL

Mild steel painted on the outside. Buffer intended for closed circuit installation, so no anti-corrosion treatment is provided.

HEAT EXCHANGERS

N° 2 mild steel fixed heat exchangers.

TECHNICAL DESCRIPTION

Used to improve flexibility and performance of pellets, stoves and burners. PUFFER 1 are used in units with a typically discontinuous energy source.

PUFFER 2 allows the solar energy system integration as well as another heat source.

INSULATION

- HARD: High thermal insulation with ecological polyurethane hard foam.

- SOFT: NOFIRE® polyester fleece 100% made of recyclable material, with high thermal insulation. Fire resistance class B-s2d0 according to EN 13501.

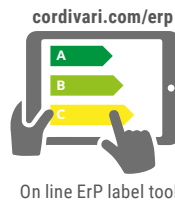
Grey PVC external lining, complete with top and flange cover.

WARRANTY

5 years (See general sales conditions and warranty)

ACCESSORIES AND SPARE PARTS

See Accessories section for the entire list.



PUFFER 2 VB

Model	Art. Nr.	HEAT EXCHANGER SURFACE		ENERGY EFFICIENCY CLASS
		Upper	Lower	
		[m ²]		
500	3251162312703	1,3	1,9	C
600	3251162312704	1,3	2,1	C
750	3251162312715	1,5	2,3	B
800	3251162312716	1,8	2,5	B
1000	3251162312717	2,5	3,1	C
1500	3251162312709	2,8	3,8	C
2000	3251162312710	2,8	4,6	B



PUFFER 2 VB

Model	Art. Nr.	HEAT EXCHANGER SURFACE		ENERGY EFFICIENCY CLASS
		Upper	Lower	
		[m ²]		
750	3251162312705	1,5	2,3	B
800	3251162312706	1,8	2,5	B
1000	3251162312707	2,5	3,1	C



PUFFER 2 VC

Model	Art. Nr.	HEAT EXCHANGER SURFACE		ENERGY EFFICIENCY CLASS
		Upper	Lower	
		[m ²]		
750	3251162282824	1,5	2,3	C
800	3251162282825	1,8	2,5	C
1000	3251162282826	2,5	3,1	C
1500	3251162282827	2,8	3,8	C
2000	3251162282828	2,8	4,6	C

ACCESSORIES

Electric immersion heaters

Available kit:	
[Kw]	Tensione [V]
from 1,5 to 3	220 - MONOPHASE
from 4 to 9	400 - THREEPHASE
See accessories	

Thermometer

Art. Nr.	
5032240000107	
5 units box	

Buffer tanks connecting kit

Art. Nr.	Connection	
5006170001001	1" 1/2	
Stainless steel extensible connecting kit - (200 ÷ 400 mm)		

PUFFER 2

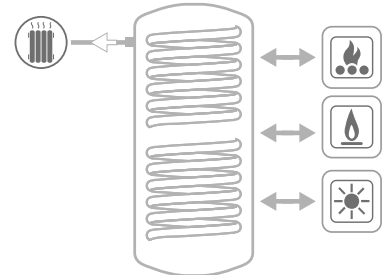
HEATING WATER BUFFER TANK WITH 2 FIXED HEAT EXCHANGERS

STORAGE		HEAT EXCHANGER	
Pmax	Tmax	Pmax	Tmax
3 bar	99 °C	12 bar	110 °C

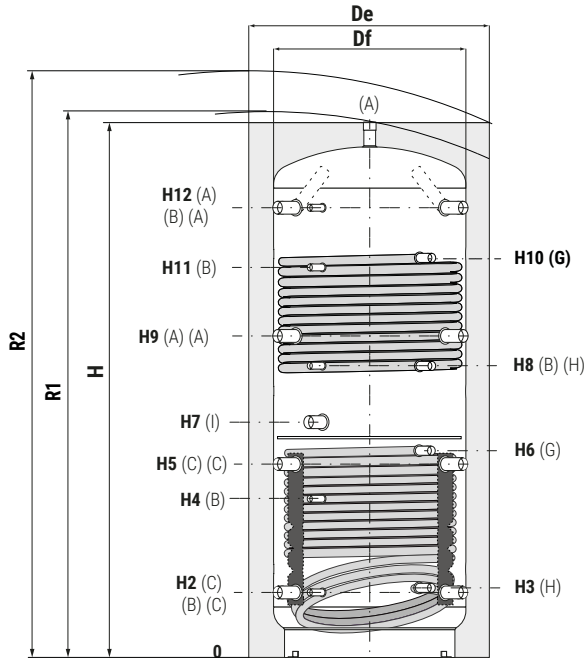


CORDIVARI Lab

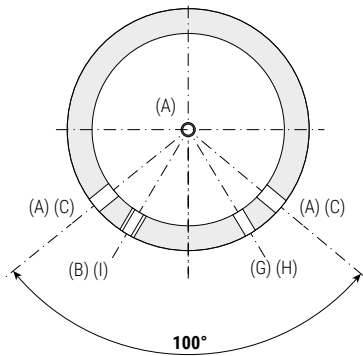
TÜV Rheinland Energie und Umwelt GmbH states that test procedures and Cordivari LAB are certified conforming to European standard EN 15332, as indicated by Ecodesign ErP Directive.



See TECHNICAL SUPPORT chapter for example of installation



- A** Heating delivery/from generator
- B** Connection for instrumentation 1/2" G F
- C** Heating return/to generator
- I** Connection for electric immersion heater.
- G** Fixed heat exchanger inlet 1" G F
- H** Fixed heat exchanger outlet 1" G F

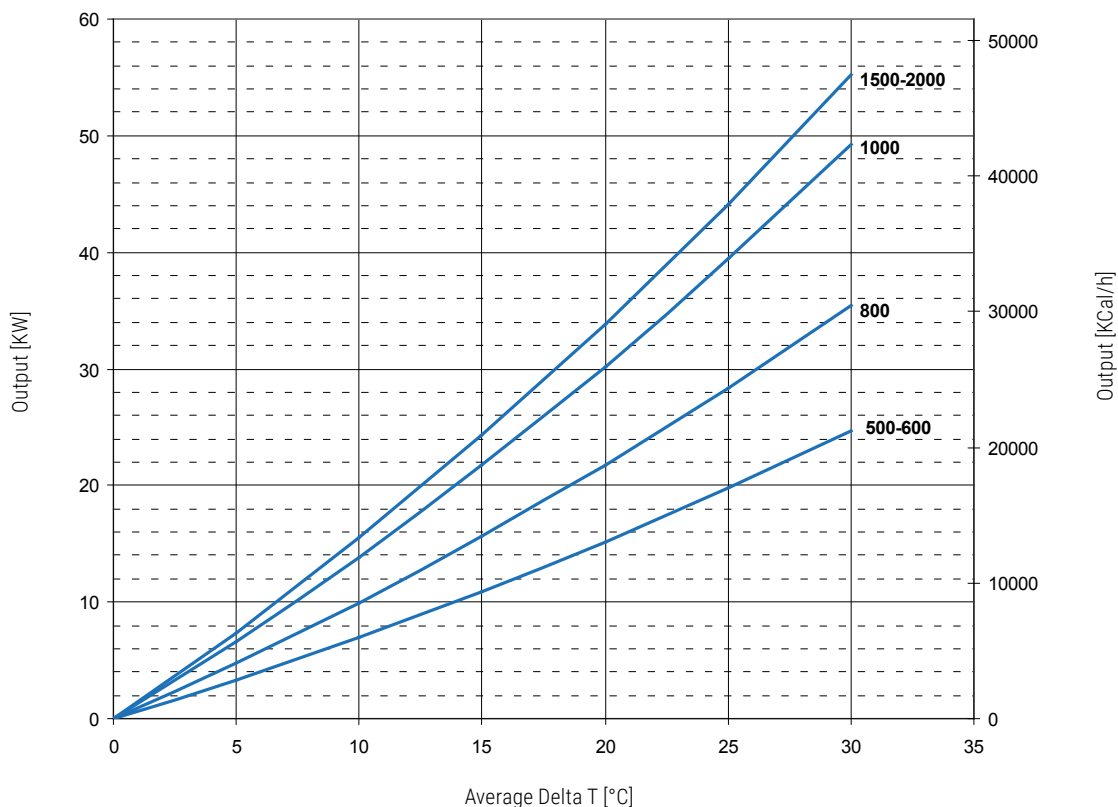


Model	Volume [lt]	Df (vers. VC)	De (vers. VC)	De (vers. VB)	H	R1	R2	H2	H3
		[mm]		[mm]					
500	478	//	//	750	1620	//	1790	247	260
600	560	//	//	750	1870	//	2020	247	260
750	717	790	1010	950	1658	1710	1915	265	278
800	805	790	1010	950	1840	1890	2075	265	278
1000	946	790	1010	950	2130	2175	2340	265	284
1500	1435	950	1210	1100	2250	2305	2510	313	336
2000	1973	1100	1360	1300	2320	2390	2665	347	370

Model	H4	H5	H6	H7	H8	H9	H10	H11	H12	A - C - I Connections F
	[mm]									
500	533	629	745	841	930	1011	1231	1231	1343	1"1/2
600	582	695	855	915	1060	1144	1361	1382	1593	1"1/2
750	584	630	679	823	938	995	1196	1180	1371	1"1/2
800	584	690	762	823	988	1115	1332	1332	1541	1"1/2
1000	656	787	953	998	1188	1309	1661	1588	1831	1"1/2
1500	736	845	1006	1061	1286	1377	1672	1653	1909	1"1/2
2000	770	879	1001	1060	1300	1411	1687	1687	1943	1"1/2

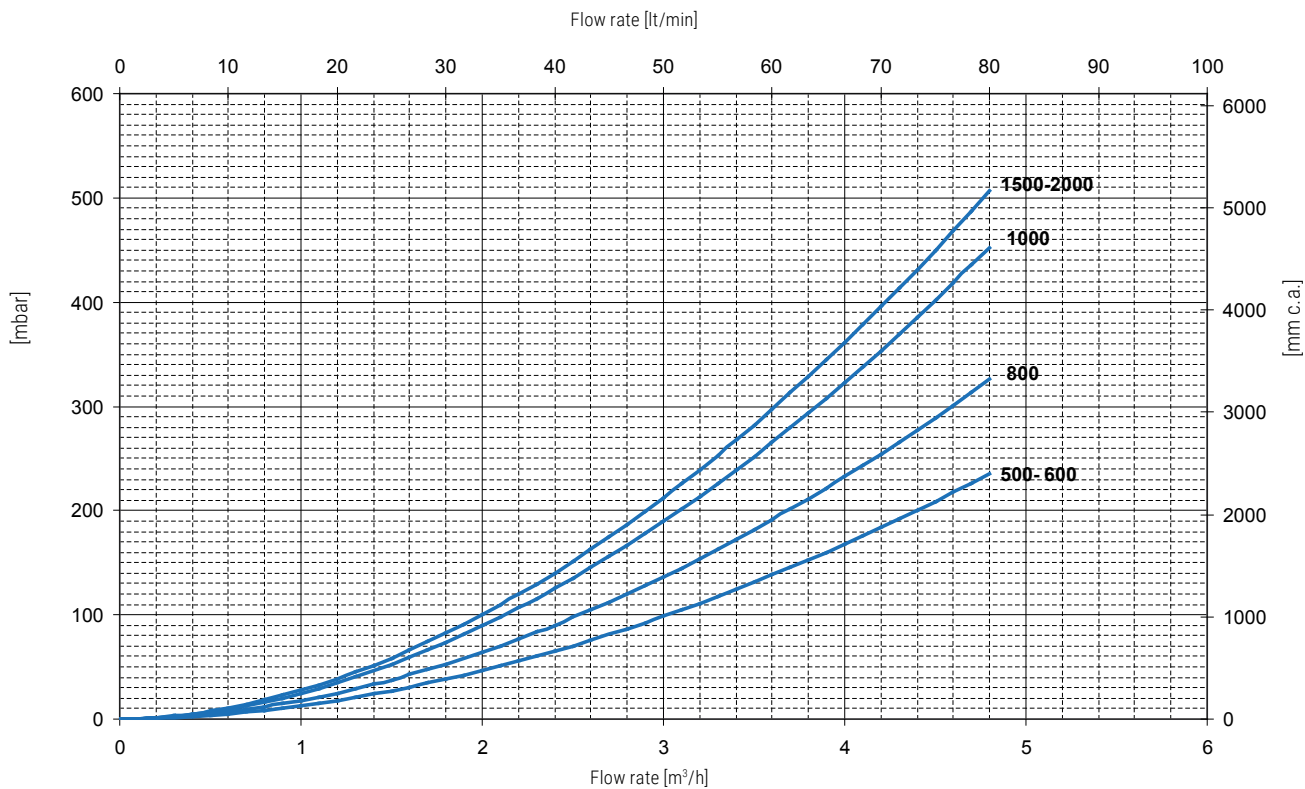
PUFFER 2

UPPER HEAT EXCHANGER POWER



Output of the upper heat exchangers PUFFER 2 depending on the average DeltaT between primary and accumulation considering flow rate 3 m³/h.

UPPER HEAT EXCHANGER PRESSURE DROP



For lower exchanger power data see PUFFER 1