

PRESSURE VESSEL STAINLESS STEEL 316L X PED VT

CERTIFIED VERTICAL STAINLESS STEEL 316L PRESSURE VESSEL (DIRECTIVE 2014/68/UE)



PRESSURE	TEMPERATURE
Pmax	Tmax
8 bar	-10 / +50 °C

ON REQUEST:
Insulation version with elastolen 20 mm – anti-condensation

AUTOCL. X PED VT

Model	Art. Nr.
	100
200	3051052010022
300	3051052010023
500	3051052010024
750	3051052010025
1000	3051052010026
1500	3051052010027
2000	3051052010028
3000	3051052010029
4000	3051052010030
5000	3051052010031

APPLICATION AND TECHNICAL DESCRIPTION

Air cushion pressure vessels.
Suitable to supply water to the highest floor of the buildings and to compensate the water shortage of the water-works.
The air cushion pressure vessels X PED VT are made for the water pumping and they work as a pressured water lung that, if correctly dimensioned, can limit the self-starting of the pump. These products are entirely made in Stainless steel 316L.

DOCUMENTS ATTACHED

- CE certification
- User Instructions

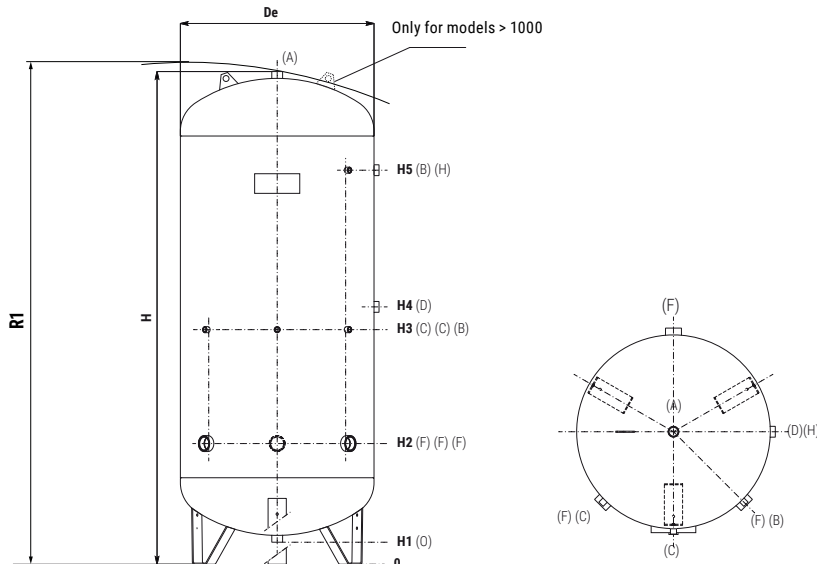
CERTIFICATIONS

The X PED VT pressure vessels are made according to the security policy of the standard 2014/68/UE that rules the pressurized products. Under surveillance of the Notified Body, a CE mark is stuck on them as well as the following project data that characterize the product:

- Pressurized fluid: water + air or nitrogen
- Fluid group: 2
- Max operating pressure: see the table chart
- Temperature: -10/+50 °C

WARRANTY

2 years
See general sales conditions and warranty.



A	Safety Valve
B	Visual level indicator
C	Instrumentation
D	Level switch – Pressure switch
F	Input - use
H	Level switch – Pressure switch
O	Drain



Model	De	H	R1	H1	H2	H3	H4	H5
				[mm]				
100	400	1050	1095	76	350	500	600	770
200	450	1450	1490	71	350	650	750	1150
300	550	1550	1585	135	440	740	840	1240
500	650	1840	1880	131	460	860	960	1510
750	750	2130	2170	108	510	960	1068	1718
1000	750	2630	2665	108	510	960	1100	1600
1500	1000	2290	2350	100	590	1100	1200	1800
2000	1000	2790	2840	100	590	1100	1200	2100
3000	1200	2940	2955	115	675	1275	1380	2380
4000	1450	2973	3070	84	679	1279	1379	2379
5000	1450	3473	3555	84	679	1579	1679	2879

A-D-O	F	B-C	H
Connections F			
1"1/4	1"	1/2"	-
1"1/4	1"	1/2"	-
1"1/4	1"1/4	1/2"	-
1"1/4	1"1/2	1/2"	1"
1"1/4	2"	1/2"	1"
1"1/4	2"	1/2"	1"
1"1/4	2"	1/2"	1"
1"1/4	3"	1/2"	1"
1"1/4	3"	1/2"	1"