



NAUSICA

**EUROPEAN
WARRANTY**

MATERIAL:

- Vertical collectors in painted mild steel semi oval 30x40 mm.
- Horizontal heating elements in painted mild steel elliptical 50x25 mm.

FIXING KIT:

Brackets, airvent, hexagonal tool, plugs and screws for mounting suitable for use on compact or hollow brick, user notice.

The kit is certified from TÜV in compliance with VDI 6036 - class 4.

PACKAGING:

Carton angular and profiles protected by a recyclable film in polyethylene. User notice included.

PAINTING PROCESS:

Painted with ecological epoxy powders (Certificate DIN 55900-1,-2).

COLOURS:

See colour chart.

ACCESSORIES:

For the complete list, please refer to the accessories chapter.

AVAILABLE FUNCTIONS:

- Hot water
- Dual energy

P. Max: 5 bar

Functioning: hot water

T. Max: 110° C

Connections: n° 2 x 1/2" G - 1 x 1/2" G

CERTIFICATES



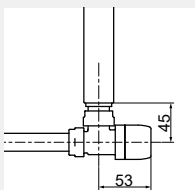
ACCESSORIES

Kristal valve square with thermostatic option white R01



Copper conn. Ø 12/14/15
Art. nr. 5991990311161

Multilayer conn. Ø 16
Art. nr. 5991990311160



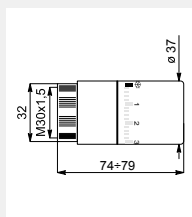
Quotes for square Kristal valves with thermostatic option

Thermostatic head white



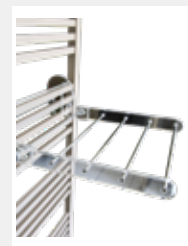
(Kit 2 pieces)

Art. nr. 5035270710016



Thermostatic head quotes

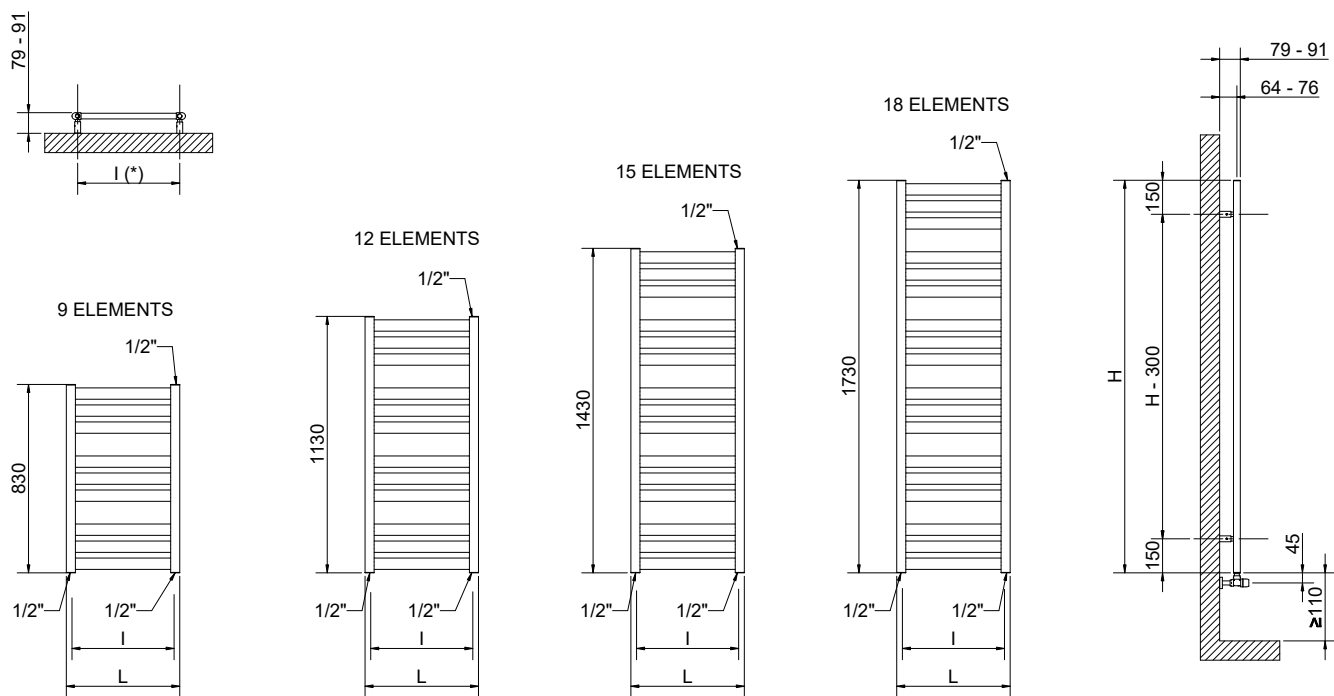
Foldable towel bar in plexiglass and stainless steel



Width L x Depth P	Art. nr.
L 370 mm x P 377 mm	5991990310402
L 420 mm x P 377 mm	5991990310403

If ordered separately from the radiator, the accessories are available in standard white only

Art. nr. are referred to colour WHITE R01



(*) The fixing kit has the same pipe centre (l) as the radiator

Quotes for Kristal valves

NAUSICA

Height [mm]	Width L [mm]	Pipe centres l [mm]	Art. nr.	Dry Weight [Kg]	Surface [m ²]	Water content [l]	Thermal output [Watt]		Exp. n	Dual energy kit [Watt]
							Δt=50°C	Δt=30°C		
830	500	450	3551626100101	6,50	0,67	4,70	350	186,9	1,2284	300
	550	500	3551626100107	7,00	0,72	5,10	378	201,7	1,2294	400
	600	550	3551626100104	7,50	0,78	5,50	407	216,9	1,2302	400
1130	500	450	3551626100102	8,70	0,90	6,30	472	250,9	1,2370	500
	550	500	3551626100108	9,40	0,97	6,90	507	269,6	1,2373	500
	600	550	3551626100105	10,00	1,04	7,40	545	289,6	1,2387	500
1430	500	450	3551626100103	10,90	1,13	8,00	575	304,4	1,2458	600
	550	500	3551626100109	11,80	1,22	8,60	622	328,8	1,2469	600
	600	550	3551626100106	12,60	1,31	9,20	668	352,6	1,2512	700
1730	500	450	3551626100111	13,10	1,36	9,60	679	355,9	1,2636	700
	550	500	3551626100110	14,10	1,47	10,30	733	384,3	1,2648	700
	600	550	3551626100112	15,10	1,58	11,10	788	412,1	1,2687	700

Art. nr. are referred to colour WHITE R01

For output at different ΔT, please refer to the following formula: desired output = output at ΔT 50 x (desired Δt/50)ⁿ