



# NAIKE ROUND

**EUROPEAN  
WARRANTY**

**NEW**

**MATERIAL:**

- Frame collector in painted mild steel 30x30 mm.
- Horizontal heating elements in painted mild steel  $\varnothing$  22 mm.

**FIXING KIT:**

Brackets, airvent, hexagonal tool, plugs and screws for mounting suitable for use on compact or hollow brick, user notice.

The kit is certified from TÜV in compliance with VDI 6036 - class 4.

**PACKAGING:**

Carton angular and profiles protected by a recyclable film in polyethylene. User notice included.

**PAINTING PROCESS:**

Painted with ecological epoxy powders (Certificate DIN 55900-1,-2).

**COLOURS:**

See colour chart.

**ACCESSORIES:**

For the complete list, please refer to the accessories chapter.

AVAILABLE FUNCTIONS:

- Hot water
- Dual energy

P. max: 8 bar

Functioning: hot water

T. max: 110° C

Connections: n° 2 x 1/2" G - 1 x 1/2" G

## CERTIFICATES



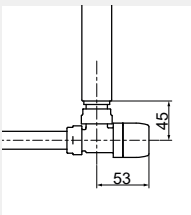
## ACCESSORIES



**Kristal valve square with thermostatic option white R01**

Copper conn.  $\varnothing$  12/14/15  
Art. nr. 5991990311161

Multilayer conn.  $\varnothing$  16  
Art. nr. 5991990311160



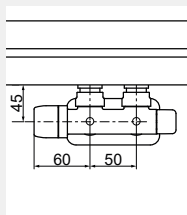
Quotes for square Kristal valves with thermostatic option



**Kristal valve square pipe centres 50 mm left white R01**

Copper conn.  $\varnothing$  12/14/15  
Art. nr. 5991990311188

Multilayer conn.  $\varnothing$  16  
Art. nr. 5991990311187



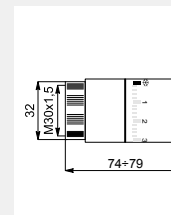
Quotes for square Kristal valves with thermostatic option



**Thermostatic head white**

(Kit 2 pieces)

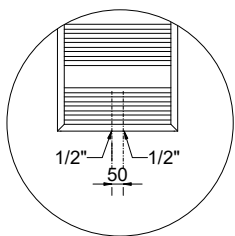
Art. nr. 5035270710016



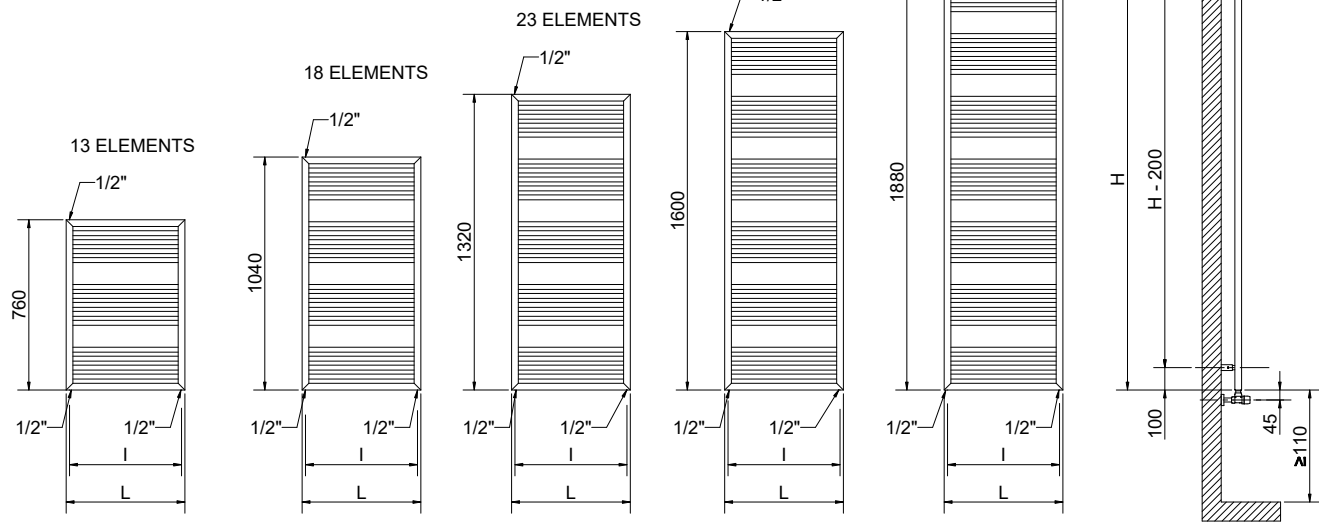
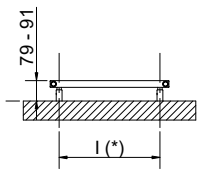
Thermostatic head quotes

*If ordered separately from the radiator, the accessories are available in standard white only*

*Art. nr. are referred to colour WHITE R01*



Detail of the pipe centres 50 mm version



(\*) The fixing kit has the same pipe centre (l) as the radiator

Quotes for Kristal valves

## NAIKE ROUND

Height [mm]	Width L [mm]	Pipe centres l [mm]	Art. nr.	Pipe centres 50 mm		Thermal output [Watt]					Dual energy kit [Watt]
				Art. nr.	Dry Weight [Kg]	Surface [m <sup>2</sup> ]	Water content [lt]	Δt=50°C	Δt=30°C	Exp. n	
<b>760</b>	480	450	3551826102080	3551826102098	5,5	0,66	3,5	357	192	1,2203	300
	530	500	3551826102081	3551826102099	5,9	0,71	3,8	388	208	1,2164	400
	580	550	3551826102082	3551826102100	6,3	0,78	4,1	418	225	1,2130	400
<b>1040</b>	480	450	3551826102083	3551826102101	6,4	0,81	4,2	479	257	1,2216	500
	530	500	3551826102084	3551826102102	6,9	0,9	4,6	521	280	1,2172	500
	580	550	3551826102085	3551826102103	7,4	0,96	4,9	562	302	1,2135	500
<b>1320</b>	480	450	3551826102089	3551826102107	8,7	1,1	5,7	599	321	1,2229	600
	530	500	3551826102090	3551826102108	9,4	1,2	6,2	651	349	1,2180	600
	580	550	3551826102091	3551826102109	9,9	1,3	6,6	702	378	1,2139	700
<b>1600</b>	480	450	3551826102092	3551826102110	10,4	1,3	6,8	717	384	1,2242	700
	530	500	3551826102093	3551826102111	11	1,4	7,3	779	418	1,2189	700
	580	550	3551826102094	3551826102112	11,8	1,5	7,8	840	452	1,2144	700
<b>1880</b>	480	450	3551826102095	3551826102113	12	1,5	7,9	834	446	1,2255	700
	530	500	3551826102096	3551826102114	12,9	1,6	8,5	905	486	1,2197	900
	580	550	3551826102097	3551826102115	13,6	1,7	9,1	977	525	1,2148	1000

Art. nr. are referred to colour WHITE R01

For output at different ΔT, please refer to the following formula: desired output = output at ΔT 50 x (desired Δt/50)<sup>n</sup>