



KELLY 5010 (DX/SX) BLOWER DUAL ENERGY



**EUROPEAN
WARRANTY**

MATERIAL:

- Vertical collectors in painted mild steel \varnothing 38 mm.
- Horizontal heating elements in painted mild steel 50x10 mm.

ELECTRIC MODULE FOR VENTILATED FUNCTION:

Fan heater with integrated PID electronic controller; with presence / absence detector, Open window detector; self-learning and self-programming function optimized with priority on comfort or energy saving.

Power 1000 Watt - 230 V 50 Hz • On / Off Switch • Temperature settings: +10°C to + 30°C.

FIXING KIT:

Brackets, hexagonal tool, plugs and screws for mounting suitable for use on compact or hollow brick walls, user notice.

The kit is certified from TÜV in compliance with VDI 6036 - class 4.

PACKAGING:

The radiator is protected by recyclable carton box. User notice included.

PAINTING PROCESS:

Painted with ecological epoxy powders (Certificate DIN 55900-1,-2).

COLOURS:

See colour chart.

ACCESSORIES:

For the complete list, please refer to the accessories chapter.

FUNCTIONING:

- Electric
- With BLOWER electric module
- Blower dual energy

P. Max: 8 bar

T. Max: 110° C

Connections: n° 2 x 1/2" G - 1 x 1/2" G

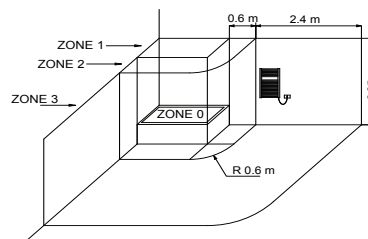
Minimum ingress protection: IP 24

Wire lenght: 1100 mm with Schuko plug

CERTIFICATES



HOW TO PLACE ELECTRIC RADIATORS



The national rules on installing electrical equipment in the bathroom must be scrupulously respected. The electric radiators must be always installed outside zone 1 and 2.

In particular the electric switch and control elements must be mandatorily located in zone 3, in order that no electrical control center is accessible to a anyone using the shower or bath.



All Cordivari electric radiators are in line with the new European regulation UE 2015/1188. The new regulation imposes a seasonal energy efficiency of electrical appliances for ambient heating with a nominal thermal output over 250 W and not less than 38%. Each of the ErP electric radiator is equipped with at least electronic temperature control, window opening detection and weekly programmer.

OPTIONAL

RF WIRELESS REMOTE CONTROL



Remote control of "BLOWER" ventilated functioning

Art. nr. 515099000011

ACCESSORIES

Kristal valve square with thermostatic option White R01



Copper conn. \varnothing 12/14/15
Art. nr. 5991990311161

Multilayer conn. \varnothing 16
Art. nr. 5991990311160

Thermostatic head white



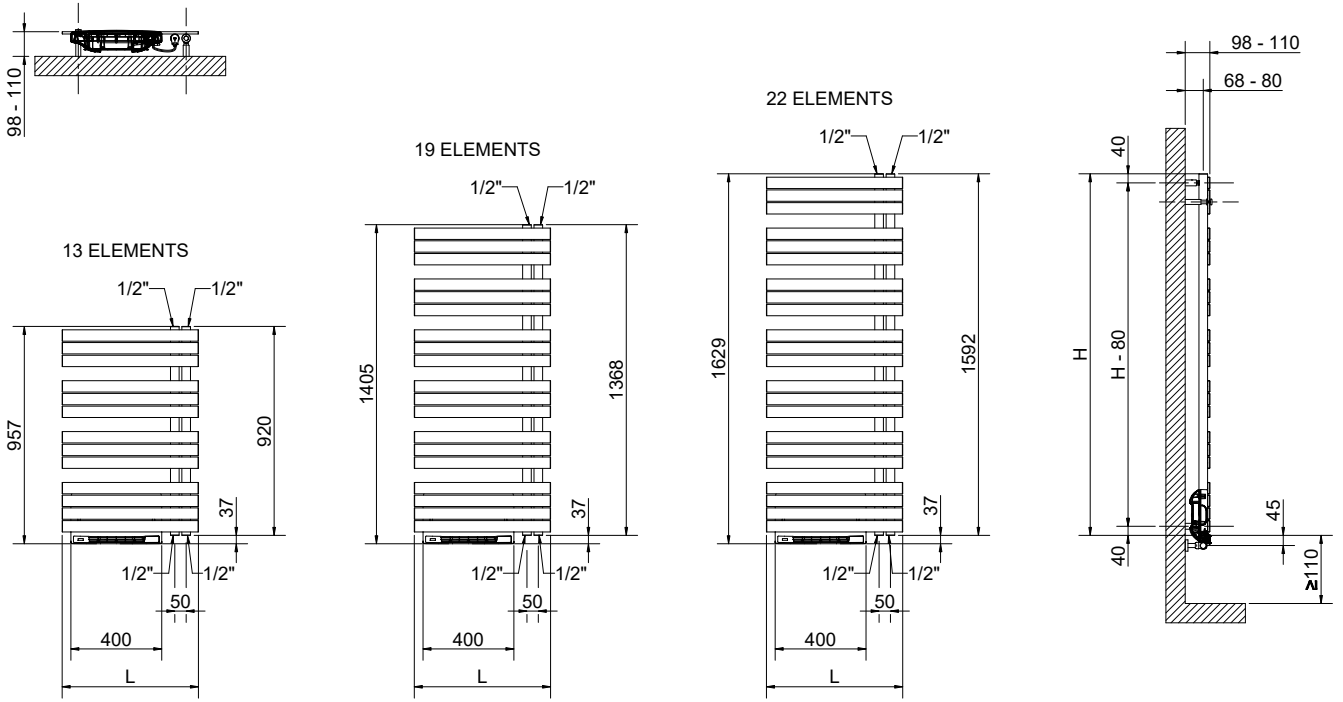
(Kit 2 pieces)

Art. nr. 5035270710016

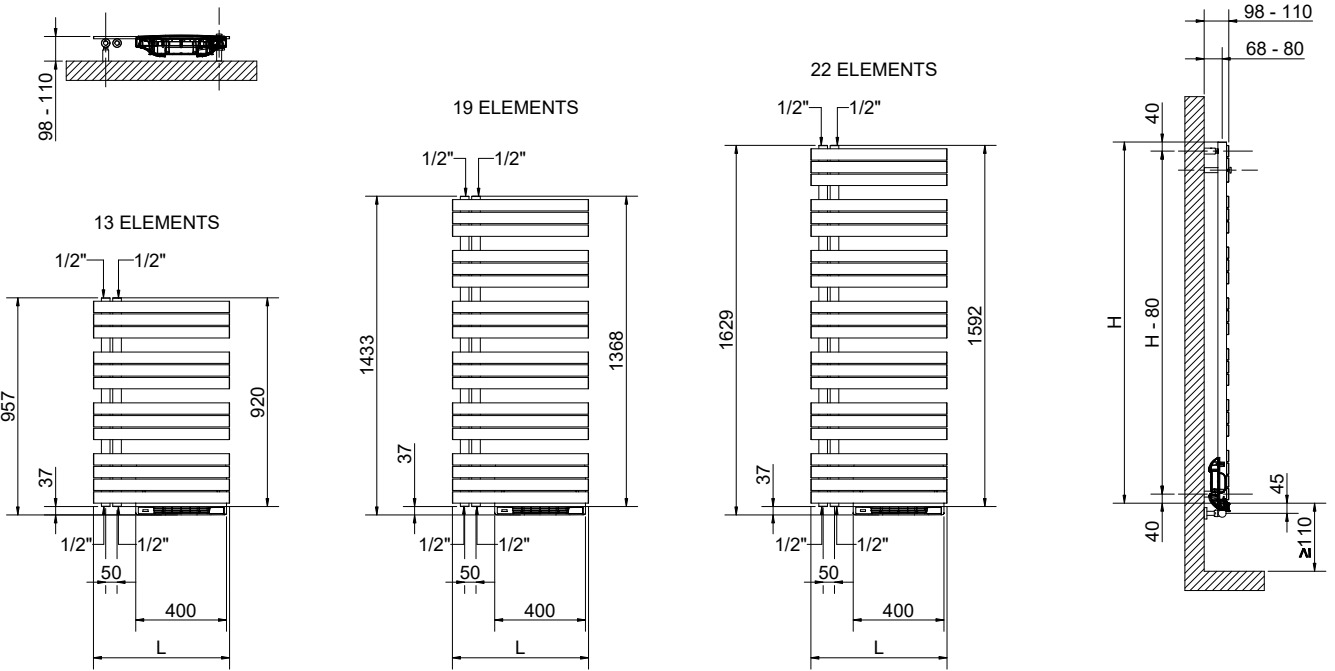
If ordered separately from the radiator, the accessories are available in standard white only

Art. nr. are referred to colour WHITE R01

RIGHT Model



LEFT Model



KELLY 5010 BLOWER DUAL ENERGY

Height [mm]	Width L [mm]	Pipe centres l [mm]	Art. nr. RIGHT model	Art. nr. LEFT model	Dry Weight [Kg]	Surface [m ²]	Water content [lt]	Thermal output [Watt]		Exp. n	BLOWER output [Watt]
								$\Delta t=50^{\circ}\text{C}$	$\Delta t=30^{\circ}\text{C}$		
920	600	50	3581726100213	3581726100210	14,7	1,10	4,33	443	234	1,2536	1000
1368	600	50	3581726100214	3581726100211	19,5	1,60	6,53	637	336	1,2533	1000
1592	600	50	3581726100215	3581726100212	22,0	1,86	7,63	742	388	1,2696	1000