



KEIRA TANDEM VERTICAL



EUROPEAN WARRANTY

MATERIAL:

- Horizontal collectors in painted mild steel ø 38 mm.
- Double row of rectangular vertical heating elements in painted mild steel 10 x 50 mm.

FIXING KIT:

Brackets, airvent, hexagonal tool, plugs and screws for mounting suitable for use on compact or hollow brick, user notice.

PACKAGING:

Carton angular and profiles protected by a recyclable film in polyethylene. User notice included.

PAINTING PROCESS:

Painted with ecological epoxy powders (Certificate DIN 55900-1,-2).

COLOURS:

See colour chart.

ACCESSORIES:

For the complete list, please refer to the accessories chapter.

Height H [mm]	538	638	738	838	938	1400	1600	1800	1900
Therm. output per el. Δt = 50 °C [Watt]	52,7	60,6	68,4	76,1	83,8	118,8	133,9	149,2	156,8
Therm. output per el. Δt = 30 °C [Watt]	27,5	31,6	35,7	39,7	43,4	61,0	68,3	76,1	80,1
Dry Weight per section [kg]	1,238	1,456	1,673	1,890	2,107	3,107	3,541	3,976	4,193
Element water content [lt]	0,45	0,523	0,595	0,667	0,740	1,073	1,217	1,362	1,434
Element surface [m ²]	0,137	0,161	0,185	0,209	0,233	0,343	0,391	0,439	0,463
Exp. n	1,2736	1,2732	1,2728	1,2724	1,2893	1,3063	1,3184	1,3168	1,316
Pipe centres l [mm] (V3-V4 only)	500	600	700	800	900	1362	1562	1762	1862

For output at different ΔT, please refer to the following formula: desired output = output at ΔT 50 x (desired ΔT/50)ⁿ

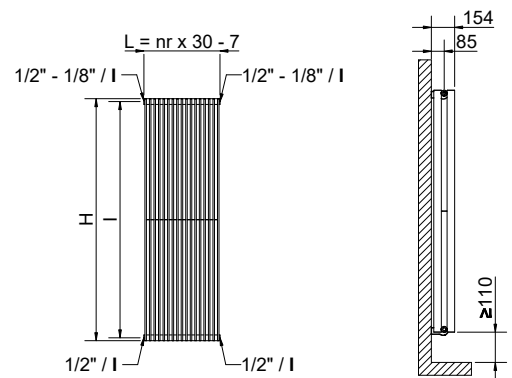
Height H [mm]	2000	2200
Therm. output per el. Δt = 50 °C [Watt]	164,5	180,1
Therm. output per el. Δt = 30 °C [Watt]	84,0	92,1
Dry Weight per section [kg]	4,410	4,844
Element water content [lt]	1,507	1,651
Element surface [m ²]	0,487	0,535
Exp. n	1,3152	1,3136
Pipe centres l [mm] (V3-V4 only)	1962	2162

P. Max: 5 bar

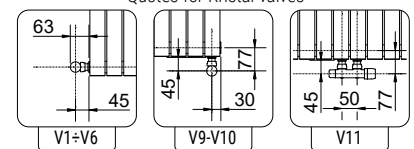
T. Max: 110° C

Functioning: hot water

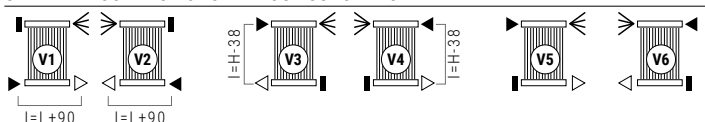
Connections: n° 2 x 1/2" G - n° 1 da 1/8" G



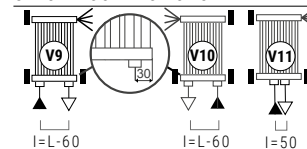
Quotes for Kristal valves



STANDARD CONNECTIONS WITHOUT SURCHARGE



SPECIAL CONNECTIONS



LEGENDA: ► In ▷ Out ◀ airvent H Height l pipe centres L width

□ connection ■ welded cap

Always specify the kind of connection needed when ordering.
Bidirectional pipe connection not available

HOW TO ORDER THE RADIATOR KEIRA TANDEM VERTICAL

ARTICLE NR. STRUCTURE	Radiator model	Nr of Elements	Height in cm	Code of the connection	Code of the colour	Constant value
AAAA	BB	CCC	DDD	EEE	A	

EXAMPLE	Radiator model	Nr of Elements	Height in cm	Code of the connection	Code of the colour	Constant value
KT10	Keira tandem vertical	24	1400	V02	S16	A

EXAMPLE OF ARTICLE CODE CREATION
 In the case of a radiator:
KT10 KEIRA TANDEM VERTICAL
24 24 elements
140 Height 1400 mm
V02 connection V2
S16 colour S16 - Canary
A (Constant value)
 The article code will be:
KT10 24 140 V02 S16 A

ACCESSORIES

If ordered separately from the radiator, the accessories are available in standard white only

<p>Kristal valve square with thermostatic option white R01</p> <p>Copper conn. Ø 12/14/15 Art. nr. 5991990311161</p> <p>Multilayer conn. Ø 16 Art. nr. 5991990311160</p>	<p>Kristal valve square pipe centres 50 mm right white R01</p> <p>Copper conn. Ø 12/14/15 Art. nr. 5991990311186</p> <p>Multilayer conn. Ø 16 Art. nr. 5991990311185</p>	<p>Thermostatic head white</p> <p>(Kit 2 pieces) Art. nr. 5035270710016</p>
---	---	--

Art. nr. are referred to colour WHITE R01

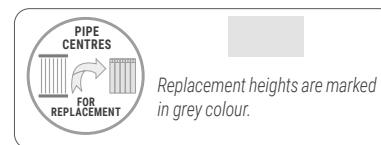


KEIRA TANDEM VERTICAL

Height H [mm]		538	638	738	838	938	1400	1600	1800	1900
Width L [mm]	N° El.	Watt $\Delta t=50^{\circ}\text{C}$	Watt $\Delta t=50^{\circ}\text{C}$	Watt $\Delta t=50^{\circ}\text{C}$	Watt $\Delta t=50^{\circ}\text{C}$	Watt $\Delta t=50^{\circ}\text{C}$	Watt $\Delta t=50^{\circ}\text{C}$	Watt $\Delta t=50^{\circ}\text{C}$	Watt $\Delta t=50^{\circ}\text{C}$	Watt $\Delta t=50^{\circ}\text{C}$
263	9	474	545	616	685	754	1069	1205	1343	1411
293	10	527	606	684	761	838	1188	1339	1492	1568
323	11	580	667	752	837	922	1307	1473	1641	1725
353	12	632	727	821	913	1006	1426	1607	1790	1882
383	13	685	788	889	989	1089	1544	1741	1940	2038
413	14	738	848	958	1065	1173	1663	1875	2089	2195
443	15	791	909	1026	1142	1257	1782	2009	2238	2352
473	16	843	970	1094	1218	1341	1901	2142	2387	2509
503	17	896	1030	1163	1294	1424	2020	2276	2536	2666
533	18	949	1091	1231	1370	1508	2138	2410	2686	2822
563	19	1001	1151	1300	1446	1592	2257	2544	2835	2979
593	20	1054	1212	1368	1522	1676	2376	2678	2984	
623	21	1107	1273	1436	1598	1760	2495	2812		
653	22	1159	1333	1505	1674	1843	2614			
683	23	1212	1394	1573	1750	1927				
713	24	1265	1454	1642	1826	2011				
743	25	1318	1515	1710	1903	2095				
773	26	1370	1576	1778	1979	2179				
803	27	1423	1636	1847	2055	2262				
833	28	1476	1697	1915	2131	2346				
863	29	1528	1757	1984	2207	2430				
893	30	1581	1818	2052	2283	2514				
923	31	1634	1879	2120	2359	2598				
953	32	1686	1939	2189	2435	2681				
983	33	1739	2000	2257	2511	2765				
1013	34	1792	2060	2326	2587	2849				
1043	35	1845	2121	2394	2664	2933				
1073	36	1897	2182	2462	2740	3017				
1103	37	1950	2242	2531	2816	3100				
1133	38	2003	2303	2599	2892	3184				
1163	39	2055	2363	2668	2968	3268				
1193	40	2108	2424	2736	3044	3352				
1223	41	2161	2485	2804	3120					
1253	42	2213	2545	2873	3196					
1283	43	2266	2606	2941						
1313	44	2319	2666							
1373	46	2424	2788							
1433	48	2530								

All intermediate sizes are available for widths from 9 to 48 elements and heights from 540 to 2200 mm

Height H [mm]		2000	2200
Width L [mm]	N° El.	Watt $\Delta t=50^{\circ}\text{C}$	Watt $\Delta t=50^{\circ}\text{C}$
263	9	1481	1621
293	10	1645	1801
323	11	1810	1981
353	12	1974	2161
383	13	2139	2341
413	14	2303	2521
443	15	2468	2702
473	16	2632	2882
503	17	2797	
533	18	2961	



ARDESIA®

TOWEL RAILS

ELECTRIC

STAINLESS STEEL

RADIATORS

VENTILATION RADIATORS

MYWAY® ACCESSORIES AND TECHNICAL SUPPORT