



KATIA VX

WIDE

EUROPEAN
WARRANTY

MATERIAL:

- Vertical collectors in painted mild steel \varnothing 30 mm.
- Horizontal heating elements in painted mild steel 15x20 mm.

FIXING KIT:

Brackets, airvent, hexagonal tool, plugs and screws for mounting suitable for use on compact or hollow brick, user notice.

The kit is certified from TÜV in compliance with VDI 6036 - class 4.

PACKAGING:

Carton angular and profiles protected by a recyclable film in polyethylene. User notice included.

PAINTING PROCESS:

Painted with ecological epoxy powders (Certificate DIN 55900-1,-2).

COLOURS:

See colour chart.

ACCESSORIES:

For the complete list, please refer to the accessories chapter.

AVAILABLE FUNCTIONS:

- Hot water
- Dual energy

P. max: 8 bar

Functioning: hot water

T. max: 110° C

Connections: n° 2 x 1/2" G - 1 x 1/2" G

CERTIFICATES



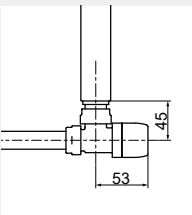
ACCESSORIES

Kristal valve square with thermostatic option white R01



Copper conn. \varnothing 12/14/15
Art. nr. 5991990311161

Multilayer conn. \varnothing 16
Art. nr. 5991990311160



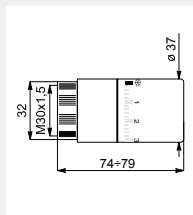
Quotes for square Kristal valves with thermostatic option

Thermostatic head white



(Kit 2 pieces)

Art. nr. 5035270710016



Thermostatic head quotes

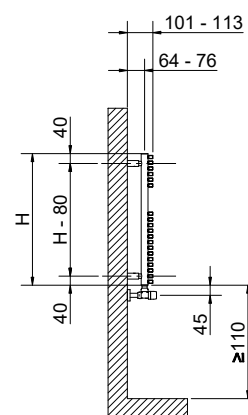
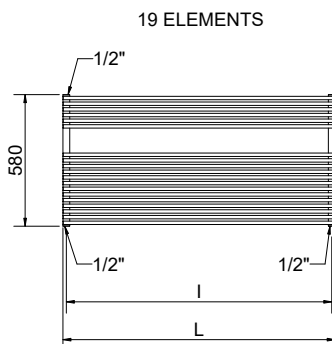
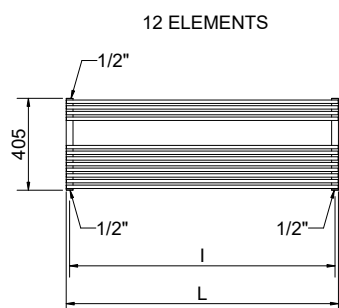
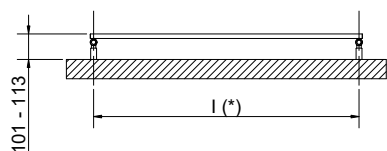
Kit 2 hooks white R01



Art. nr. 5991990310391

If ordered separately from the radiator, the accessories are available in standard white only

Art. nr. are referred to colour WHITE R01



(*) The fixing kit has the same pipe centre (l) as the radiator

Quotes for Kristal valves

KATIA VX WIDE

Height [mm]	Width L [mm]	Pipe centres l [mm]	Art. nr.	Dry Weight [Kg]	Surface [m ²]	Water content [lt]	Thermal output [Watt]		Exp. n	Dual energy kit [Watt]
							$\Delta t=50^{\circ}\text{C}$	$\Delta t=30^{\circ}\text{C}$		
405	1200	1170	3551826101201	10,9	1,06	3,3	621	336	1,2029	400
	1400	1370	3551826101203	12,0	1,25	3,8	740	404	1,1852	400
580	1200	1170	3551826101202	11,3	1,21	3,6	960	532	1,1572	700
	1400	1370	3551826101204	13,0	1,29	4,1	1122	603	1,2170	700

Art. nr. are referred to colour WHITE R01

For output at different ΔT , please refer to the following formula: desired output = output at ΔT 50 x (desired $\Delta t/50$)ⁿ