



GLORIA 22

**EUROPEAN
WARRANTY**

MATERIAL:

- Vertical collectors in painted mild steel \varnothing 30 mm.
- Horizontal heating elements in painted mild steel \varnothing 22 mm.

FIXING KIT:

Brackets, airvent, hexagonal tool, plugs and screws for mounting suitable for use on compact or hollow brick, user notice.

The kit is certified from TÜV in compliance with VDI 6036 - class 4.

PACKAGING:

Carton angular and profiles protected by a recyclable film in polyethylene. User notice included.

PAINTING PROCESS:

Painted with ecological epoxy powders (Certificate DIN 55900-1,-2).

COLOURS:

See colour chart.

ACCESSORIES:

For the complete list, please refer to the accessories chapter.

AVAILABLE FUNCTIONS:

- Hot water
- Electric
- Dual energy
- Blower
- Blower dual energy

P. max: 8 bar

Functioning: hot water

T. max: 110° C

Connections: n° 2 x 1/2" G - 1 x 1/2" G

CERTIFICATES



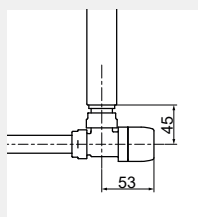
ACCESSORIES



Kristal valve square with thermostatic option white R01

Copper conn. \varnothing 12/14/15
Art. nr. 5991990311161

Multilayer conn. \varnothing 16
Art. nr. 5991990311160



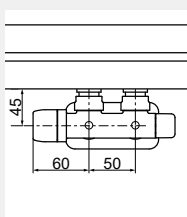
Quotes for square Kristal valves with thermostatic option



Kristal valve square pipe centres 50 mm left white R01

Copper conn. \varnothing 12/14/15
Art. nr. 5991990311188

Multilayer conn. \varnothing 16
Art. nr. 5991990311187



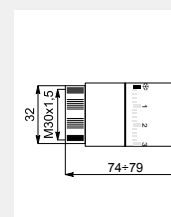
Quotes for square Kristal valves with thermostatic option



Thermostatic head white

(Kit 2 pieces)

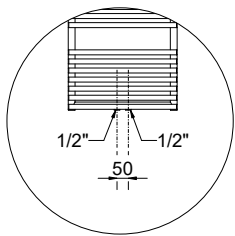
Art. nr. 5035270710016



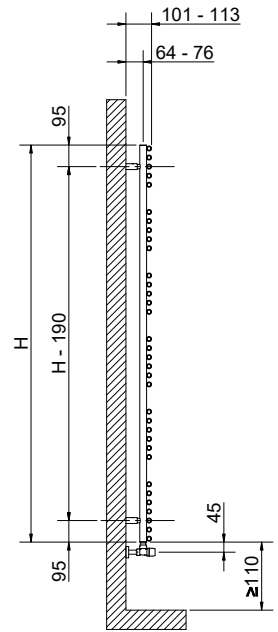
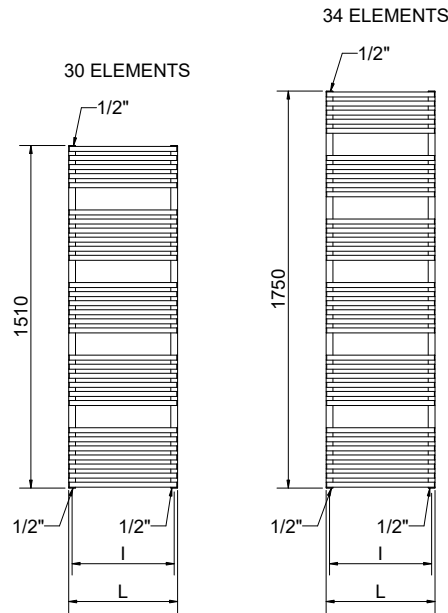
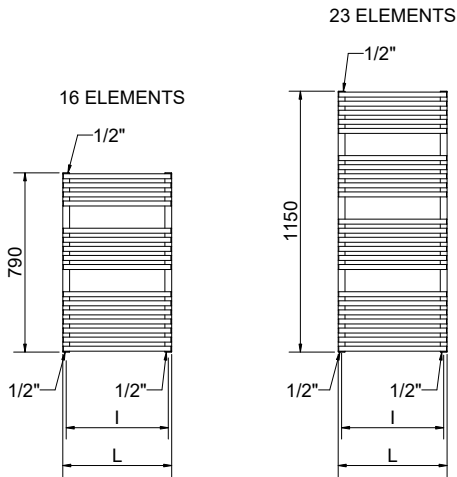
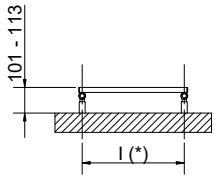
Thermostatic head quotes

If ordered separately from the radiator, the accessories are available in standard white only

Art. nr. are referred to colour WHITE R01



Detail of the pipe centres 50 mm version



(*) The fixing kit has the same pipe centre (l) as the radiator

Quotes for Kristal valves

GLORIA 22

Height [mm]	Width L [mm]	Pipe centres l [mm]	Art. nr.	Pipe centres 50 mm		Thermal output [Watt]					Dual energy kit [Watt]	
				Art. nr.	Art. nr.	Dry Weight [Kg]	Surface [m ²]	Water content [lt]	Δt=50°C	Δt=30°C		Exp. n
790	430	400	3551666100101	3551666100121	3551666100121	6,1	0,61	3,0	364	203	1,1418	300
	480	450	3551666100102	3551666100122	3551666100122	6,6	0,66	3,1	401	224	1,1513	400
	430	400	3551666100103	3551666100123	3551666100123	8,8	0,88	4,2	516	285	1,1615	500
1150	480	450	3551666100104	3551666100124	3551666100124	9,5	0,95	4,6	567	314	1,1565	500
	530	500	3551666100105	3551666100125	3551666100125	10,2	1,03	5,0	617	343	1,1516	600
	580	550	3551666100106	3551666100126	3551666100126	10,9	1,10	5,3	668	372	1,1460	700
1500	630	600	3551666100107	3551666100127	3551666100127	11,8	1,18	5,7	719	402	1,1405	700
	430	400	3551666100108	3551666100128	3551666100128	11,4	1,14	5,5	668	368	1,1576	700
	480	450	3551666100109	3551666100129	3551666100129	12,3	1,25	6,3	732	404	1,1562	700
	530	500	3551666100110	3551666100130	3551666100130	13,2	1,32	6,5	796	440	1,1606	700
	580	550	3551666100111	3551666100131	3551666100131	14,2	1,44	6,9	860	476	1,1568	900
	630	600	3551666100112	3551666100132	3551666100132	15,0	1,53	7,3	924	513	1,1529	900
1750	480	450	3551666100113	3551666100133	3551666100133	14,0	1,41	6,9	842	463	1,1644	700
	530	500	3551666100114	3551666100134	3551666100134	15,1	1,52	7,4	915	504	1,1666	900
	580	550	3551666100115	3551666100135	3551666100135	16,1	1,64	7,9	989	546	1,1638	1000
	630	600	3551666100116	3551666100136	3551666100136	17,1	1,75	8,4	1062	587	1,1610	1000
	730	700	3551666100117	3551666100137	3551666100137	19,2	1,97	9,4	1208	670	1,1659	1200

Art. nr. are referred to colour WHITE R01

For output at different ΔT, please refer to the following formula: desired output = output at ΔT 50 x (desired Δt/50)ⁿ