



# GLORIA 22 CHROMED

**EUROPEAN  
WARRANTY**

**MATERIAL:**

- Vertical collectors in mild steel chromed  $\varnothing$  30 mm.
- Horizontal heating elements in mild steel chromed  $\varnothing$  22 mm.

**FIXING KIT:**

Brackets, airvent, hexagonal tool, plugs and screws for mounting suitable for use on compact or hollow brick, user notice.

The kit is certified from TÜV in compliance with VDI 6036 - class 4.

**PACKAGING:**

Carton angular and profiles protected by a recyclable film in polyethylene. User notice included.

**FINISHING::**

CHROMED (PLATED IN ITALY)

**ACCESSORIES:**

For the complete list, please refer to the accessories chapter.

AVAILABLE FUNCTIONS:

- Hot water
- Electric
- Dual energy

P. max: 8 bar

Functioning: hot water

T. max: 110° C

Connections: n° 2 x 1/2" G - 1 x 1/2" G

## CERTIFICATES



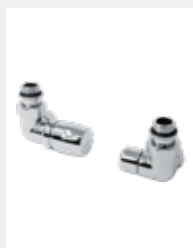
## ACCESSORIES



**Kristal valve square with thermostatic option chromed**

Copper conn.  $\varnothing$  12/14/15  
Art. nr. 5991990311165

Multilayer conn.  $\varnothing$  16  
Art. nr. 5991990311166



**Kristal valve corner with thermostatic option chromed**

Copper conn.  $\varnothing$  12/14/15  
Art. nr. 5991990301148

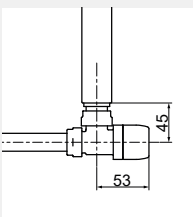
Multilayer conn.  $\varnothing$  16  
Art. nr. 5991990301147



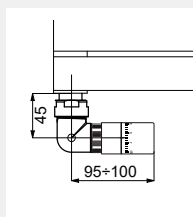
**Thermostatic head chromed**

(Kit 2 pieces)

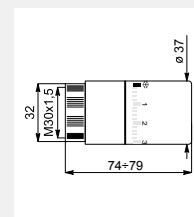
Art. nr. 5035270710015



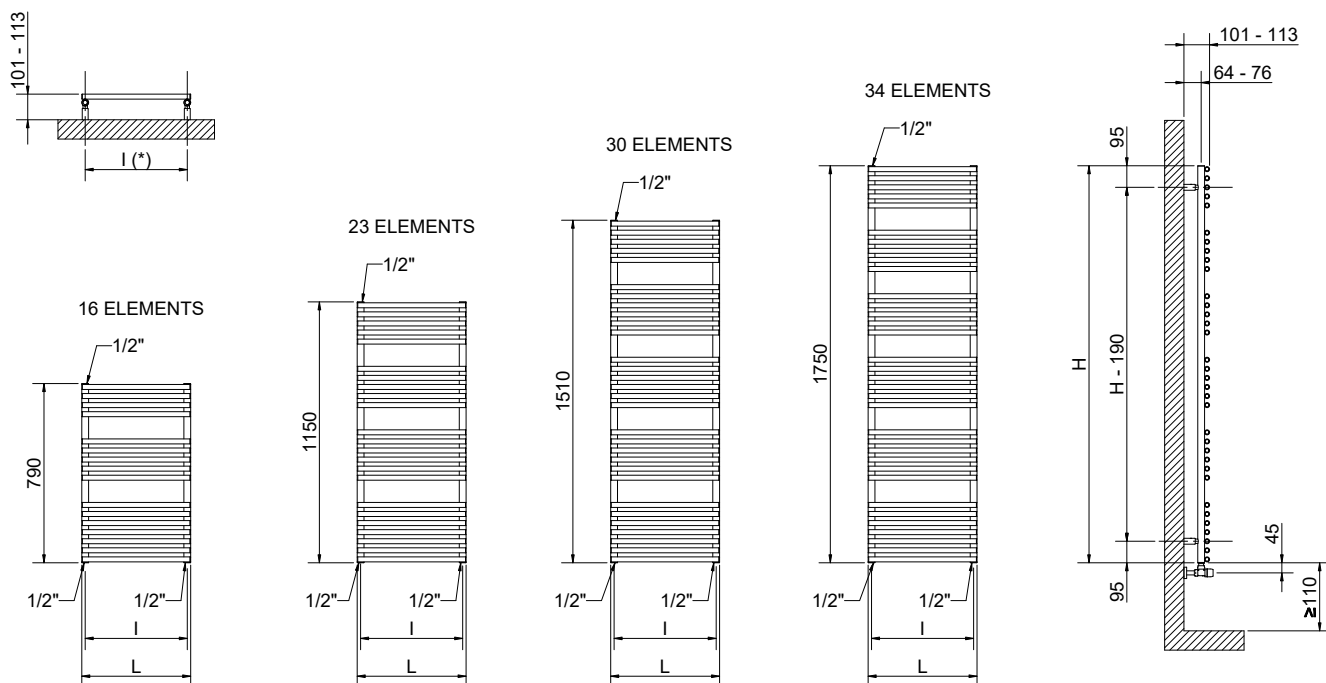
Quotes for square Kristal valves with thermostatic option



Quotes for corner Kristal valves with thermostatic option



Thermostatic head quotes



(\*) The fixing kit has the same pipe centre (l) as the radiator

Quotes for Kristal valves

## GLORIA 22 CHROMED

Height [mm]	Width L [mm]	Pipe centres l [mm]	Art. nr.	Dry Weight [Kg]	Surface [m <sup>2</sup> ]	Water content [lt]	Thermal output [Watt]		Exp. n	Dual energy kit [Watt]
							Δt=50°C	Δt=30°C		
<b>790</b>	430	400	3551666101101	6,1	0,61	3,0	279	151	1,1983	-
	480	450	3551666101102	6,6	0,66	3,1	302	164	1,1941	300
	430	400	3551666101103	8,8	0,88	4,2	392	209	1,2348	400
<b>1150</b>	480	450	3551666101104	9,5	0,95	4,6	426	228	1,2250	400
	530	500	3551666101105	10,2	1,03	5,0	460	247	1,2153	400
	580	550	3551666101106	10,9	1,10	5,3	494	267	1,2055	500
	630	600	3551666101107	11,8	1,18	5,7	528	287	1,1958	500
<b>1500</b>	430	400	3551666101108	11,4	1,41	5,5	502	268	1,2281	500
	480	450	3551666101109	12,3	1,25	6,3	546	292	1,2219	500
	530	500	3551666101110	13,2	1,32	6,5	591	318	1,2157	600
	580	550	3551666101111	14,2	1,44	6,9	636	343	1,2095	600
	630	600	3551666101112	15,0	1,53	7,3	680	368	1,2033	700
<b>1750</b>	480	450	3551666101113	6,8	1,41	6,7	626	336	1,2198	600
	530	500	3551666101114	7,3	1,50	7,4	678	364	1,2160	700
	580	550	3551666101115	7,9	1,63	7,9	730	393	1,2123	700
	630	600	3551666101116	8,4	1,75	8,4	782	422	1,2085	700
	730	700	3551666101117	8,9	1,86	8,9	886	480	1,2009	900

For output at different ΔT, please refer to the following formula: desired output = output at ΔT 50 x (desired Δt/50)<sup>n</sup>